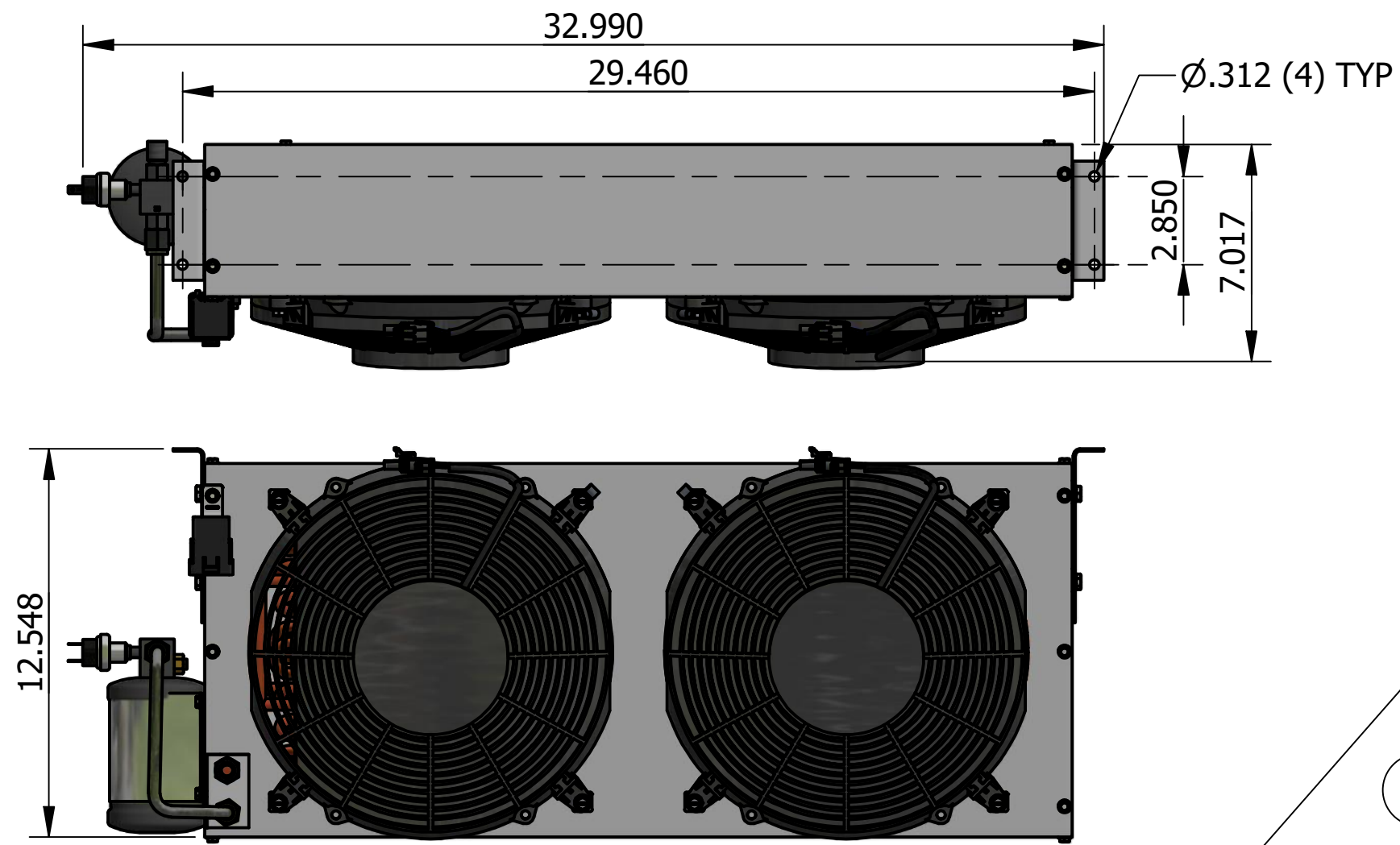
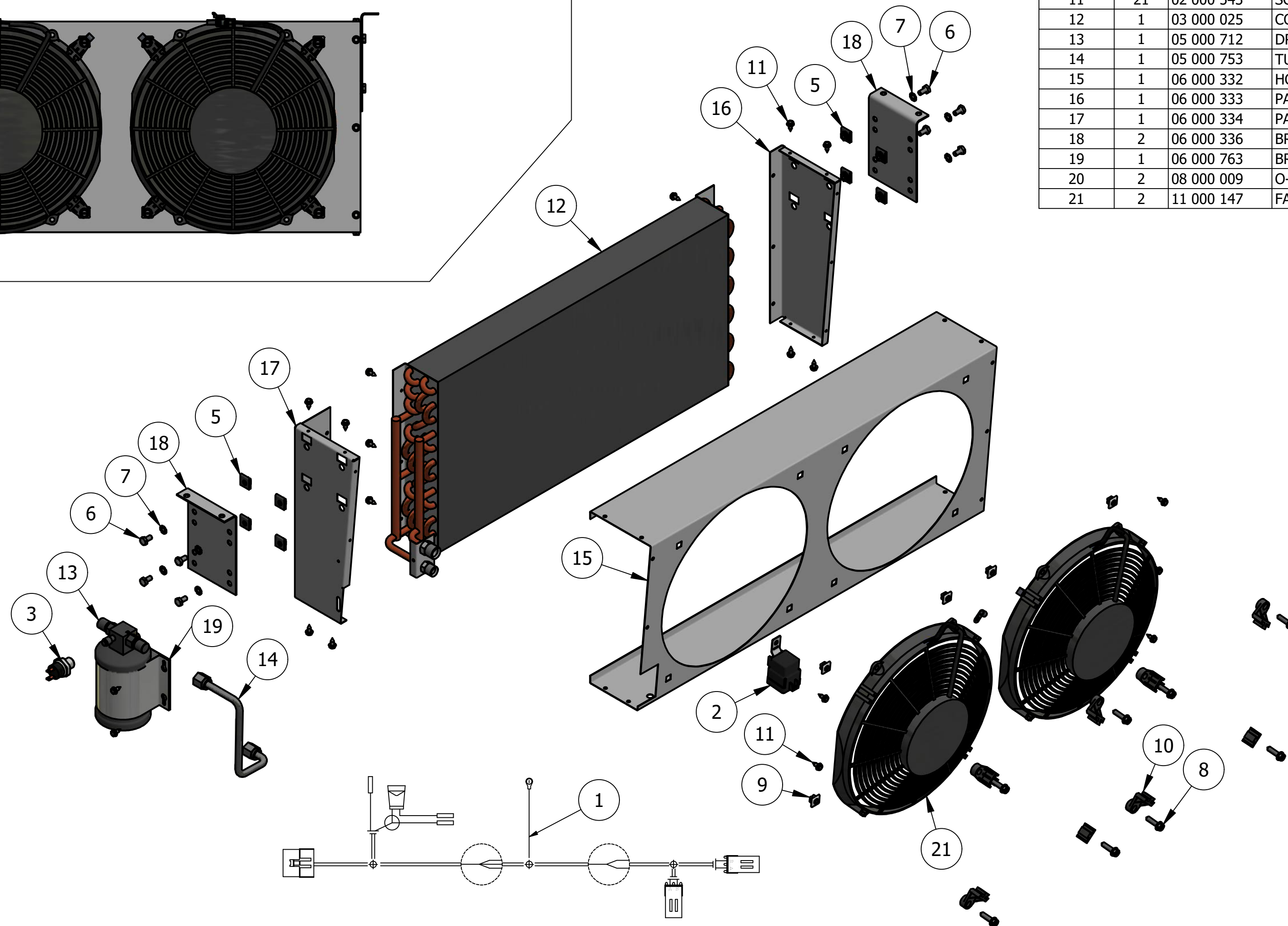


MOUNT INFO



PARTS LIST			
ITEM	QTY	PART NUMBER	DESCRIPTION
1	1	01 000 199	HARN, WIRE 105 FAN RELAY WITH P.S.
2	1	01 000 201	RELAY, 40 AMP WTR PROOF-HOOD
3	1	01 000 504	SWITCH, PRESS HI/LO - 385/28 PSI
4	2	02 000 100	LINESTAKE, 1/4" I.D. NYLON
5	8	02 000 104	NUT, 1/4-20 CAGE
6	8	02 000 226	BOLT, 1/4-20 x 1/2 SS
7	8	02 000 228	WASHER, 1/4 EXT TOOTH SS
8	8	02 000 229	SCREW, 14 x 1 SLT HEX WSHR SS
9	8	02 000 230	GROMMET, PANEL INSERT NYLON
10	8	02 000 246	BRKT, FAN 90 DEG MTG DCM
11	21	02 000 543	SCREW, 10 x 1/2 HEX WSHR TEK SS
12	1	03 000 025	COIL, 105 CONDENSER
13	1	05 000 712	DRIER, RECEIVER W/ 1/4 SP & HPRV
14	1	05 000 753	TUBE ASSY, 105 A/C COIL LIQUID
15	1	06 000 332	HOUSING, 2 FAN 105 COND
16	1	06 000 333	PANEL, LEFT SIDE CONDENSER
17	1	06 000 334	PANEL, RIGHT SIDE CONDENSER
18	2	06 000 336	BRACKET, CONDENSER MOUNTING
19	1	06 000 763	BRACKET, DRIER RECEIVER
20	2	08 000 009	O-RING, #6 5/16
21	2	11 000 147	FAN, 11" FAN PULLER 12V



PROPRIETARY & CONFIDENTIAL. UNPUBLISHED WORK COPYRIGHT PRO AIR LLC. PRO AIR, LLC CLAIMS PROPRIETARY RIGHTS IN THE MATERIAL DISCLOSED HEREON. NEITHER THIS DRAWING NOR ANY REPRODUCTION OR PORTION THEREOF MAY BE DISTRIBUTED OR USED TO MANUFACTURE ANYTHING SHOWN HEREON WITHOUT PERMISSION IN WRITING FROM PROAIR, LLC.

REV. A

A		18-090		RELEASED TO PRODUCTION		CEB		8/16/18		 2900 COUNTY RD 6 W ELKHART, IN 46514		TITLE:		PART NO. 31 000 038	
LET.	NO.	REVISION		BY	DATE	SIGNATURES		DATE				DRAWN CEB 8/16/18		CONDENSER, 105 WITH PS AND RELAY 12V	
						CHECKED RAI		8/16/18		APPROVED		USAGE:		ALL	
												SHEET 1		OF 1	