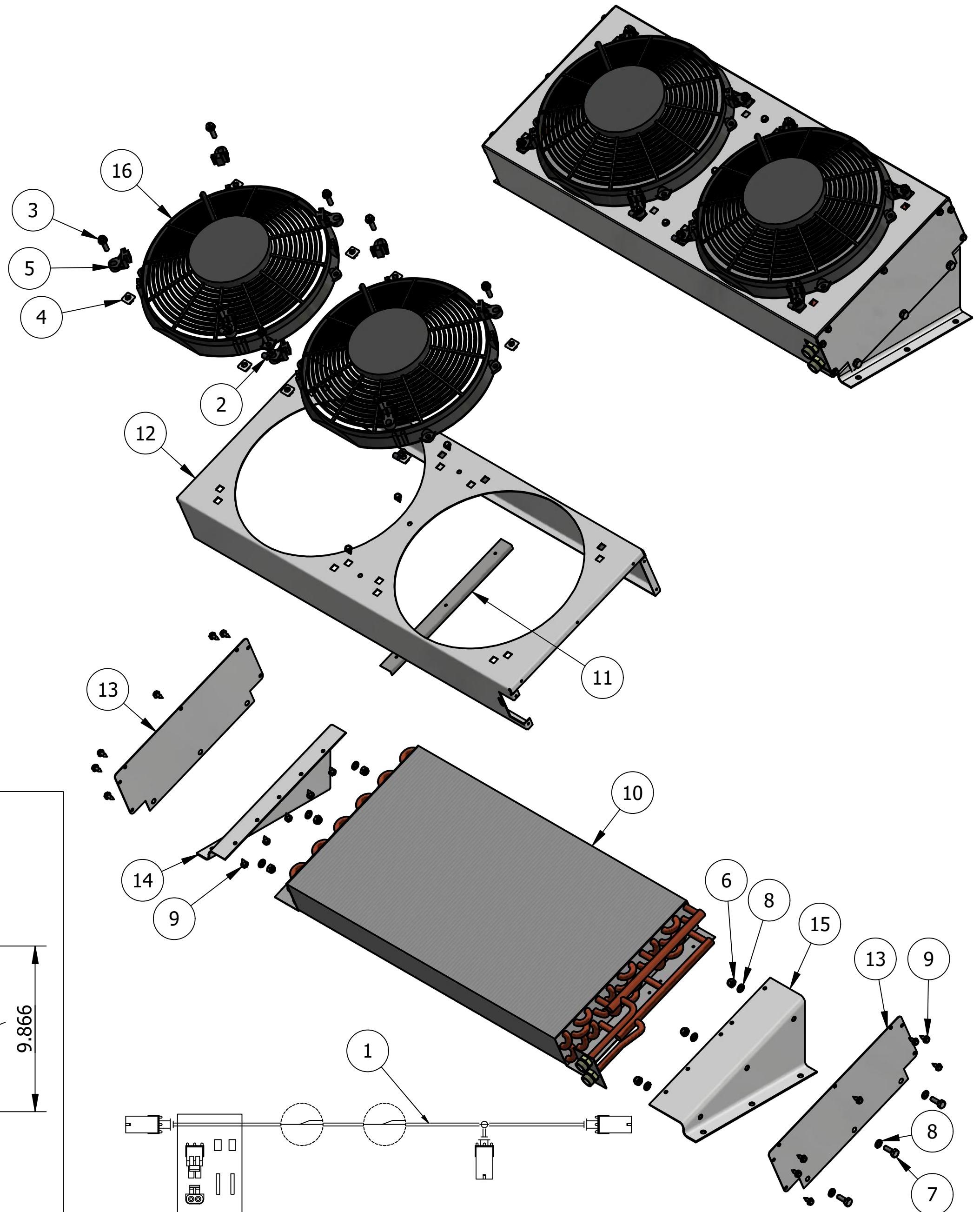
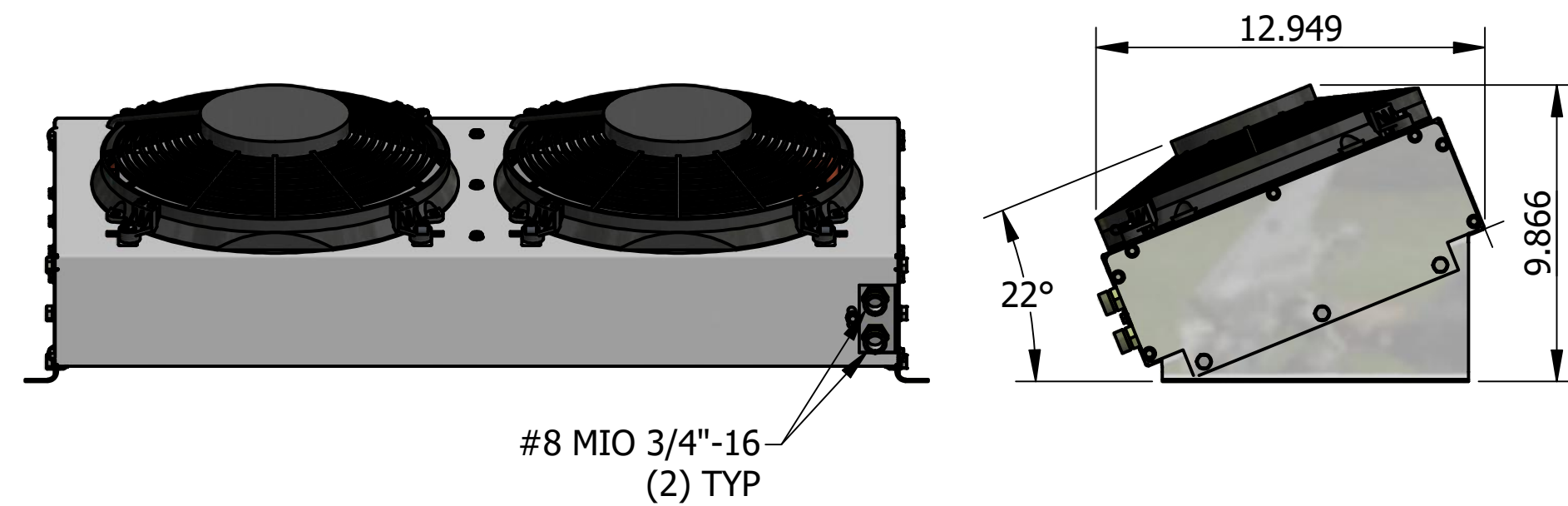
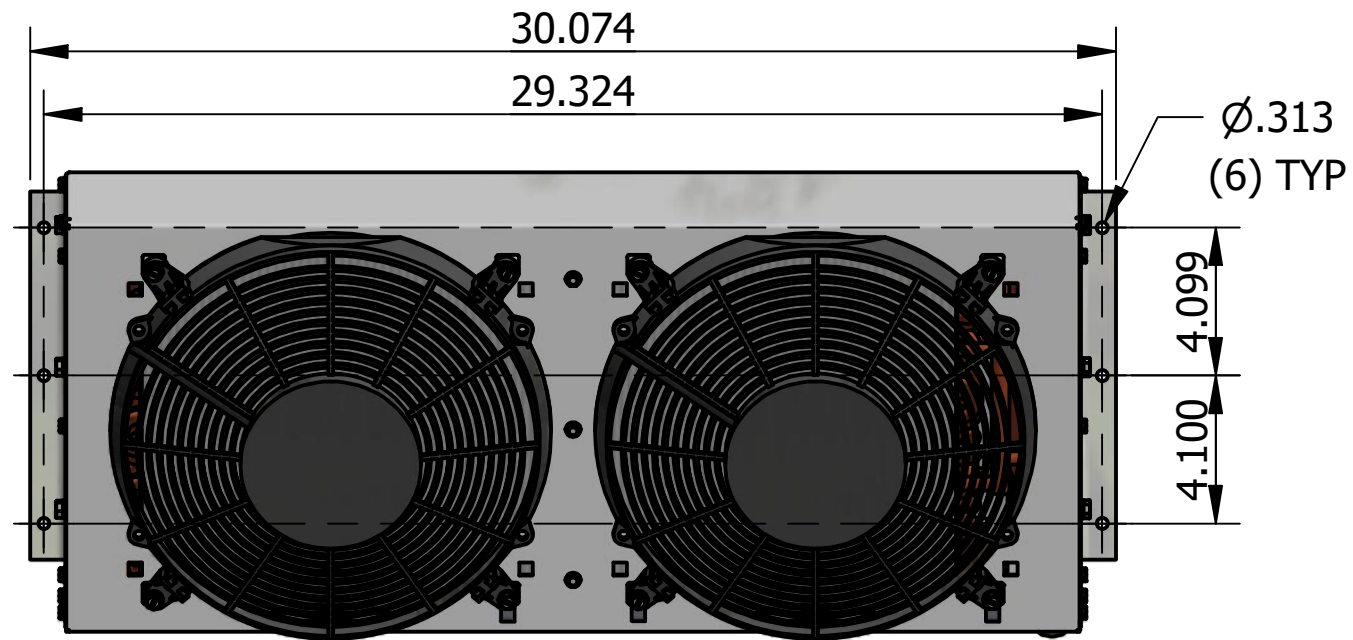


PARTS LIST			
ITEM	QTY	PART NUMBER	DESCRIPTION
1	1	01 000 272	HARN, TWO FAN CONDENSER
2	3	02 000 100	LINESTAKE, 1/4" I.D. NYLON
3	8	02 000 229	SCREW, 14 x 1 SLT HEX WSHR SS
4	8	02 000 230	GROMMET, PANEL INSERT NYLON
5	8	02 000 246	BRKT, FAN 90 DEG MTG DCM
6	6	02 000 283	NUT, 1/4-20 NYLON LOCK
7	6	02 000 380	BOLT, 1/4-20 x 3/4 SS
8	12	02 000 381	WASHER, 1/4 FLAT SS
9	28	02 000 543	SCREW, 10 x 1/2 HEX WSHR TEK SS
10	1	03 000 124	COIL, COND 12 x 36 110/111
11	1	06 000 465	BRACE, CASE TOP COND
12	1	06 000 479	HOUSING, 3 FAN CONDENSER
13	2	06 000 752	PANEL, CONDENSER SIDE BRKT MNT
14	1	06 000 771	BRKT, LS MULTI-FIT COND
15	1	06 000 772	BRKT, RS MULTI-FIT COND
16	2	11 000 147	FAN, 11" PULLER HIGH OUTPUT 12v

MOUNT INFO



PROPRIETARY & CONFIDENTIAL. UNPUBLISHED WORK COPYRIGHT PRO AIR LLC. PRO AIR, LLC CLAIMS PROPRIETARY RIGHTS IN THE MATERIAL DISCLOSED HEREON. NEITHER THIS DRAWING NOR ANY REPRODUCTION OR PORTION THEREOF MAY BE DISTRIBUTED OR USED TO MANUFACTURE ANYTHING SHOWN HEREON WITHOUT PERMISSION IN WRITING FROM PROAIR, LLC.

REV. A

A		18-090		RELEASED TO PRODUCTION		CEB		8/23/18		 2900 COUNTY RD 6 W ELKHART, IN 46514		TITLE:		PART NO. 31 000 040	
LET.		NO.		REVISION		BY		DATE				APPROVED		109 CONDENSER	
												USAGE:		SHEET 1 OF 1	
												ALL			