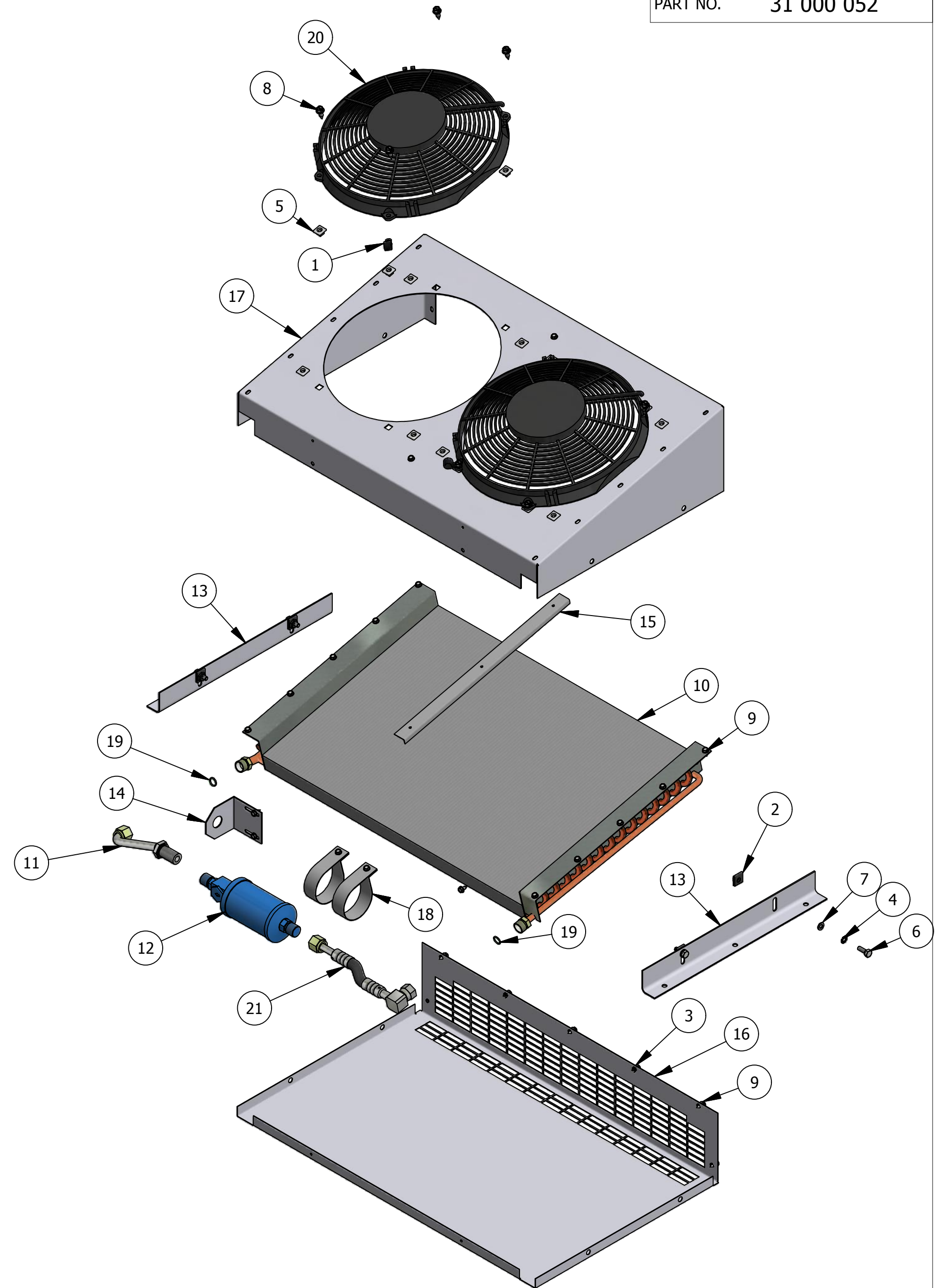
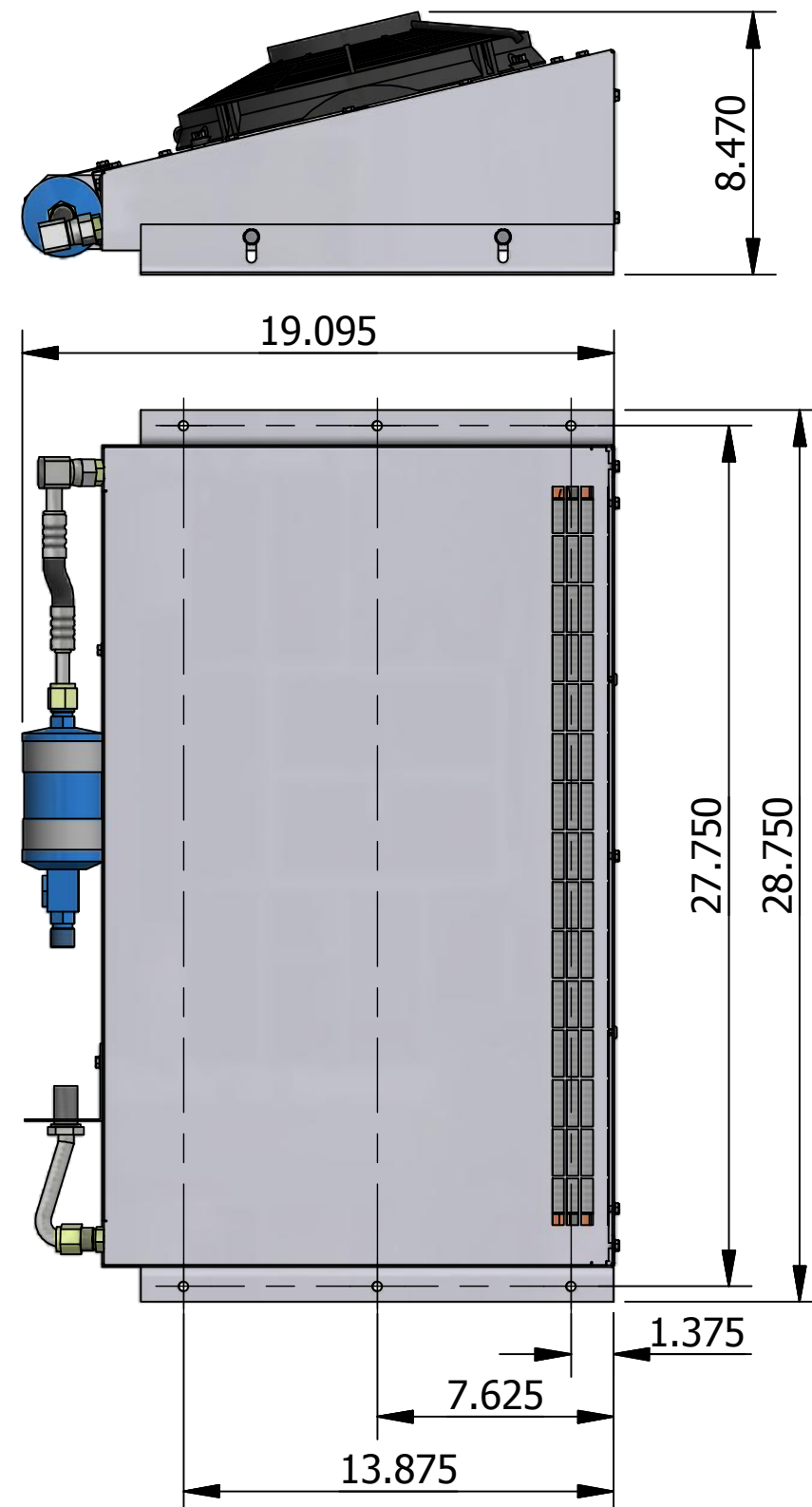


PARTS LIST			
ITEM	QTY	PART NUMBER	DESCRIPTION
1	2	02 000 008	LINESTAKE, 3/8" VINYL
2	4	02 000 104	NUT, 1/4-20 CAGE
3	2	02 000 108	RIVET, SECONDARY HEAD
4	4	02 000 228	WASHER, 1/4 EXT TOOTH SS
5	16	02 000 230	GROMMET, PANEL INSERT NYLON
6	4	02 000 380	BOLT, 1/4-20 x 3/4 SS
7	4	02 000 381	WASHER, 1/4 FLAT SS
8	8	02 000 398	SCREW, 14 x 3/4 SLT HEX WSHR SS
9	23	02 000 543	SCREW, 10 x 1/2 HEX WSHR TEK SS
10	1	03 000 076	COIL, COND 16 x 23, 106
11	1	05 000 283	TUBE ASSY, LEFT 106
12	1	05 000 682	DRIER, WITH SIGHT GLASS #8 MIO (2)
13	2	06 000 319	BRKT, MTG 106 UNIT
14	1	06 000 322	BRKT, TUBE MTG 106
15	1	06 000 323	BRACE, CASE TOP 106
16	1	06 000 970	HOUSING, BOTTON 106
17	1	06 000 971	HOUSING, FAN 106
18	2	06 001 146	BRACKET, DRIER BOTTLE
19	3	08 000 008	O-RING, #8 13/32
20	2	11 000 147	FAN, 11" PULLER HIGH OUTPUT 12v
21	1	62 000 695	HOSE ASSY, #8 BL X .291' 106 DRIER

MOUNT INFO



PROPRIETARY & CONFIDENTIAL. UNPUBLISHED WORK COPYRIGHT PRO AIR LLC. PRO AIR, LLC CLAIMS PROPRIETARY RIGHTS IN THE MATERIAL DISCLOSED HEREON. NEITHER THIS DRAWING NOR ANY REPRODUCTION OR PORTION THEREOF MAY BE DISTRIBUTED OR USED TO MANUFACTURE ANYTHING SHOWN HEREON WITHOUT PERMISSION IN WRITING FROM PROAIR, LLC.

REV. A

A		17-118		RELEASED TO PRODUCTION		CEB		7/19/17		 2900 COUNTY RD 6 W ELKHART, IN 46514		TITLE:		PART NO. 31 000 052	
LET.	NO.	REVISION		BY	DATE	SIGNATURES		DATE				CONDENSER, 106 W/DRIER		SCALE: .17 : 1	SIZE A
						DRAWN CEB		7/19/17		USAGE:		SHEET 1 OF 1			
						CHECKED RAI		7/19/17		X					
						APPROVED									