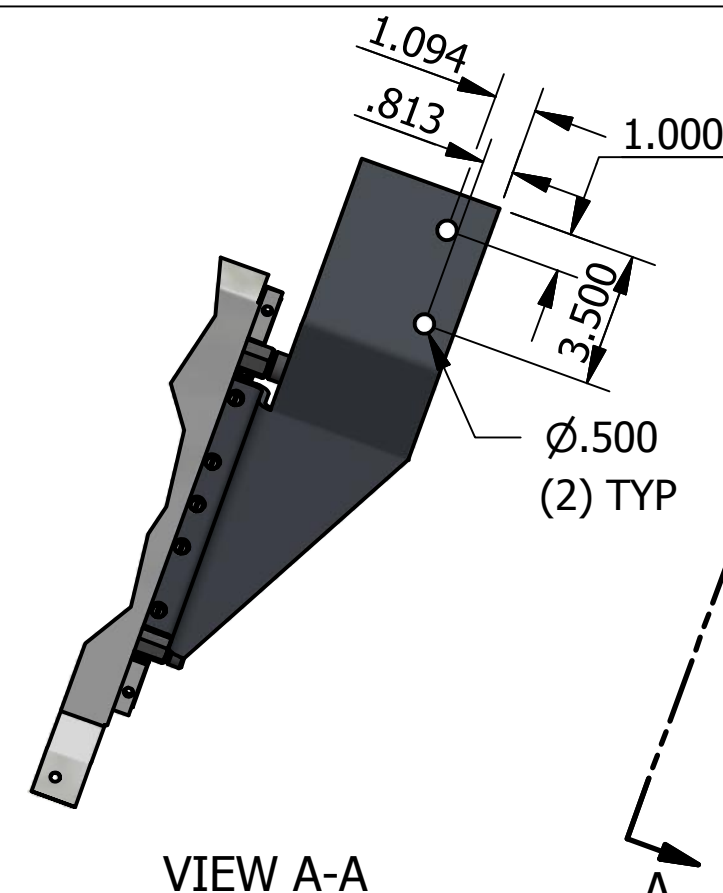
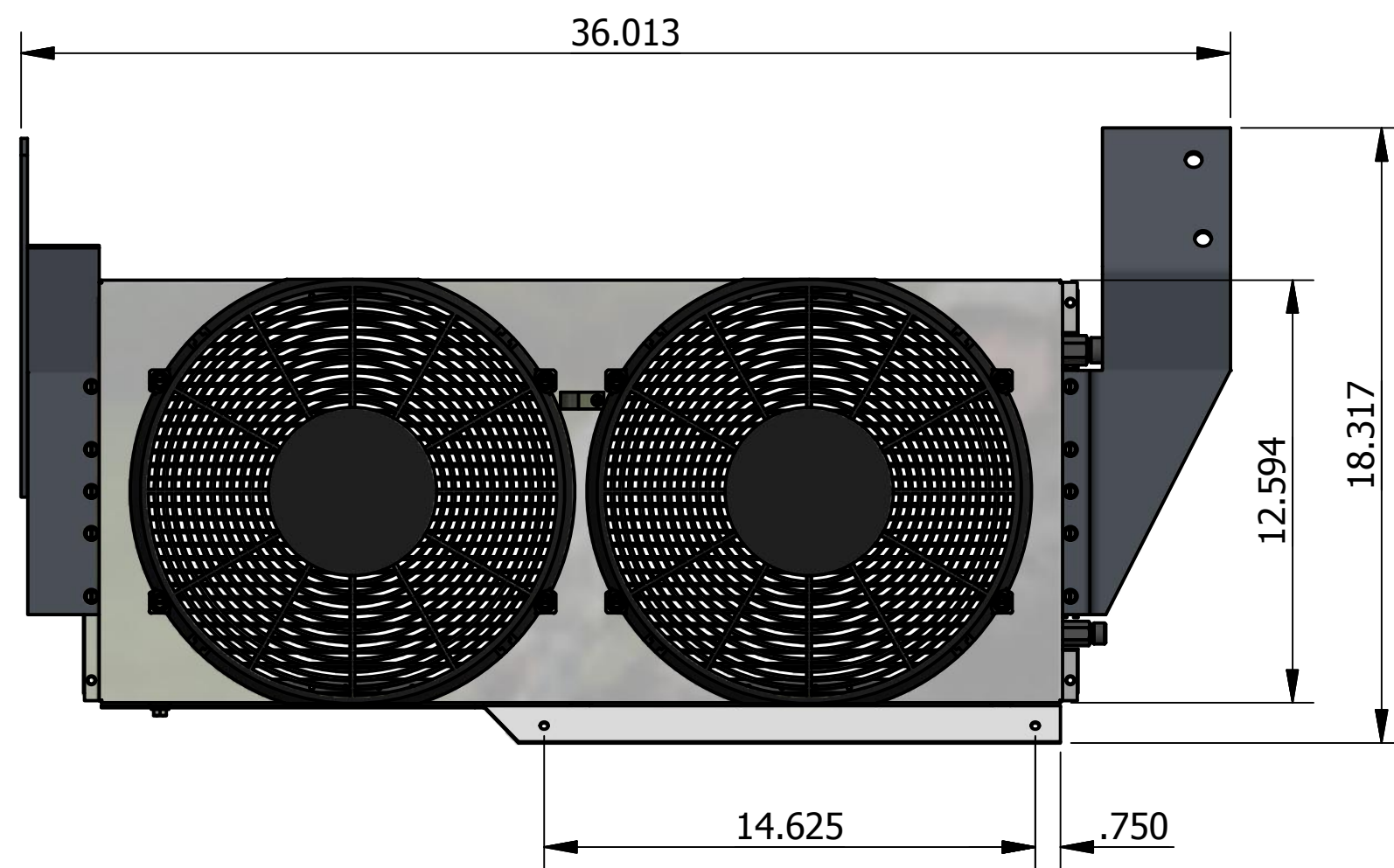
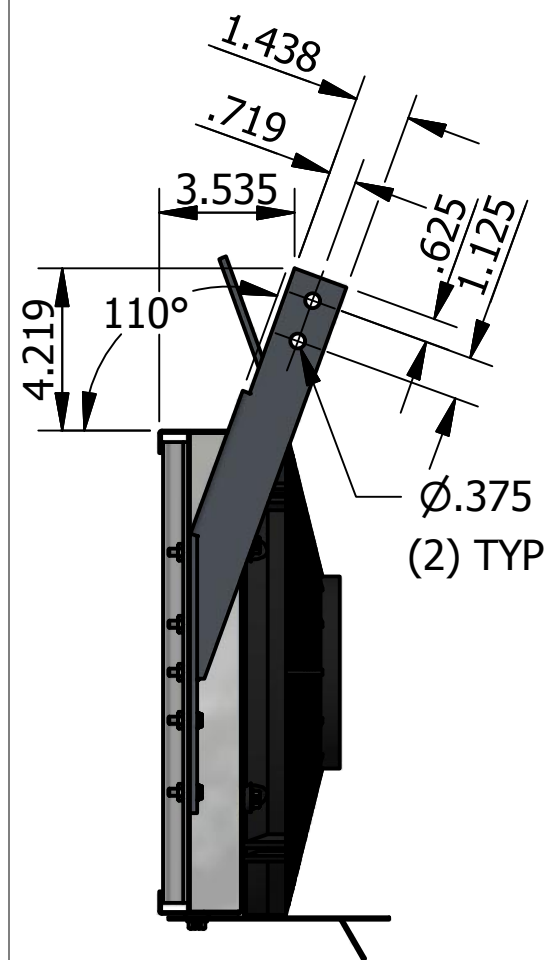
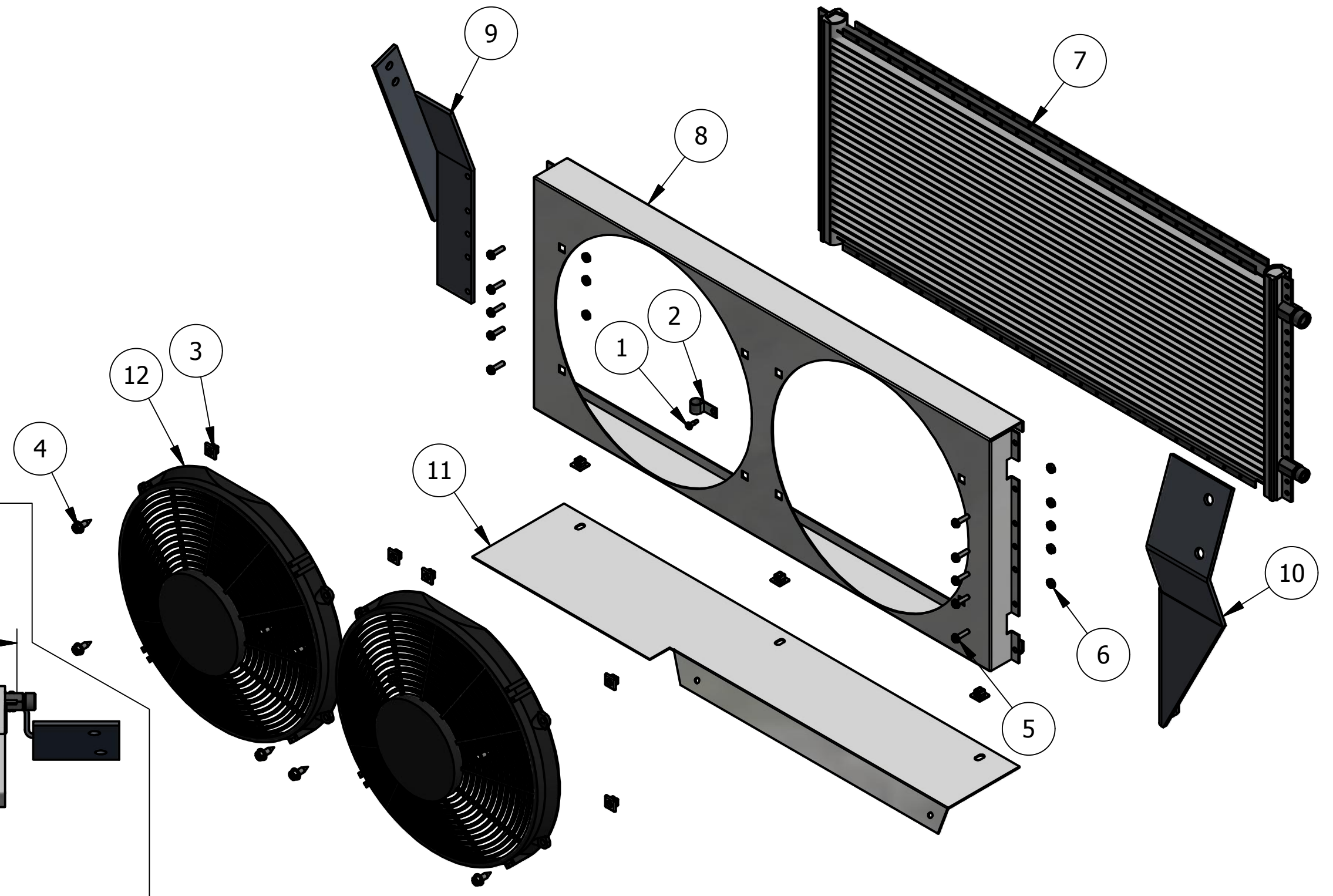
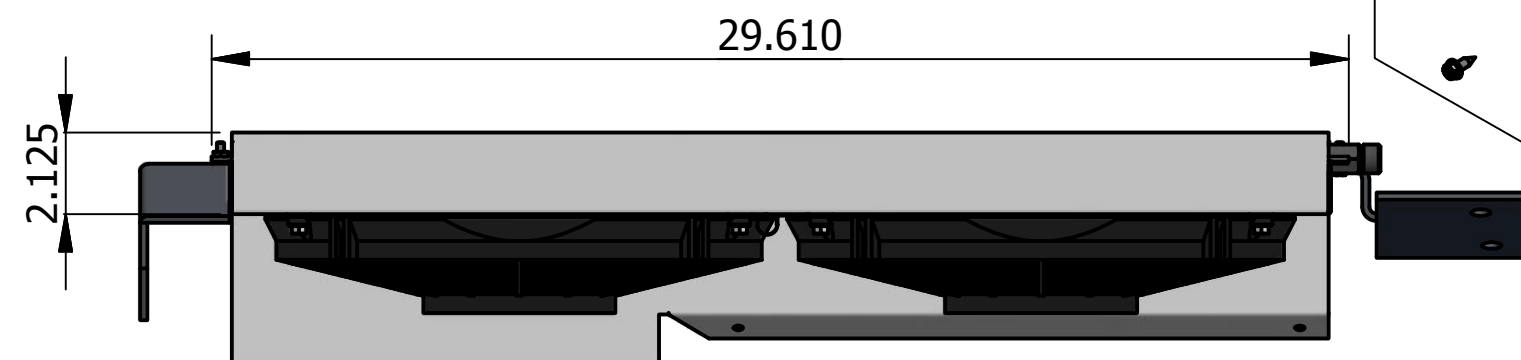
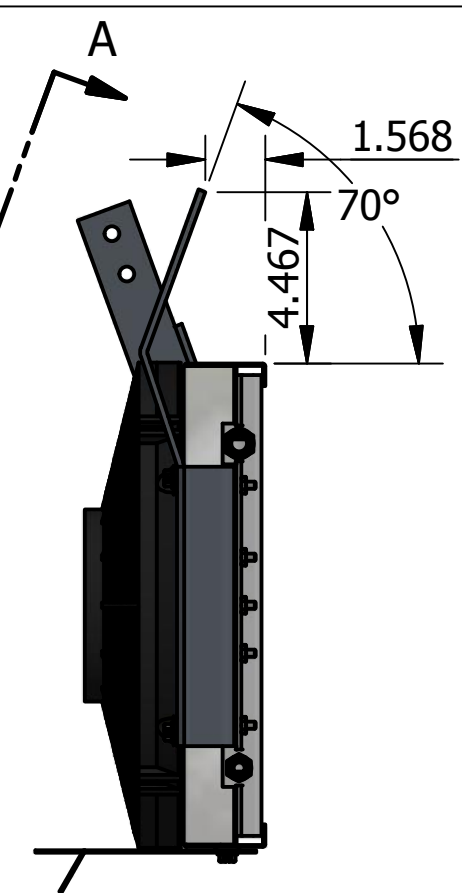


PARTS LIST			
ITEM	QTY	PART NUMBER	DESCRIPTION
1	1	02 000 028	SCREW, 8 x 1/2 PH PHIL BLK (SELF
2	1	02 000 203	LINESTAKE, 1/2" I.D.
3	11	02 000 230	GROMMET, PANEL INSERT NYLON
4	11	02 000 398	SCREW, 14 x 3/4 SLT HEX WSHR SS
5	10	02 000 492	BOLT, 10-24 x 3/4 HEX WSHR SS
6	10	02 000 533	NUT, 10-24 NYLON LOCK SS
7	1	03 000 210	COIL, CONDENSER 12 x 30 x 26mm
8	1	06 001 387	HOUSING, CONDENSER
9	1	06 001 388	BRKT, CONDENSER MTG - REAR
10	1	06 001 389	BRKT, CONDENSER MTG - FRONT
11	1	06 001 390	PLATE, BLOCK OFF
12	2	60 001 540	SUB ASSY, SPAL 12" 12v PULLER W/WP CONNECTOR

**MOUNT INFO**



VIEW A-A  
SCALE .2



PROPRIETARY & CONFIDENTIAL. UNPUBLISHED WORK COPYRIGHT PRO AIR LLC. PRO AIR, LLC CLAIMS PROPRIETARY RIGHTS IN THE MATERIAL DISCLOSED HEREON. NEITHER THIS DRAWING NOR ANY REPRODUCTION OR PORTION THEREOF MAY BE DISTRIBUTED OR USED TO MANUFACTURE ANYTHING SHOWN HEREON WITHOUT PERMISSION IN WRITING FROM PROAIR, LLC.

REV. A

A 18-090		RELEASED TO PRODUCTION		CEB	4/13/18		TITLE:	CONDENSER, 102 NV		PART NO.	31 000 078		
LET.	NO.	REVISION		BY	DATE		APPROVED	USAGE:	ALL		SCALE:	.2 : 1	SIZE
						2900 COUNTY RD 6 W ELKHART, IN 46514				SHEET	1	OF	1