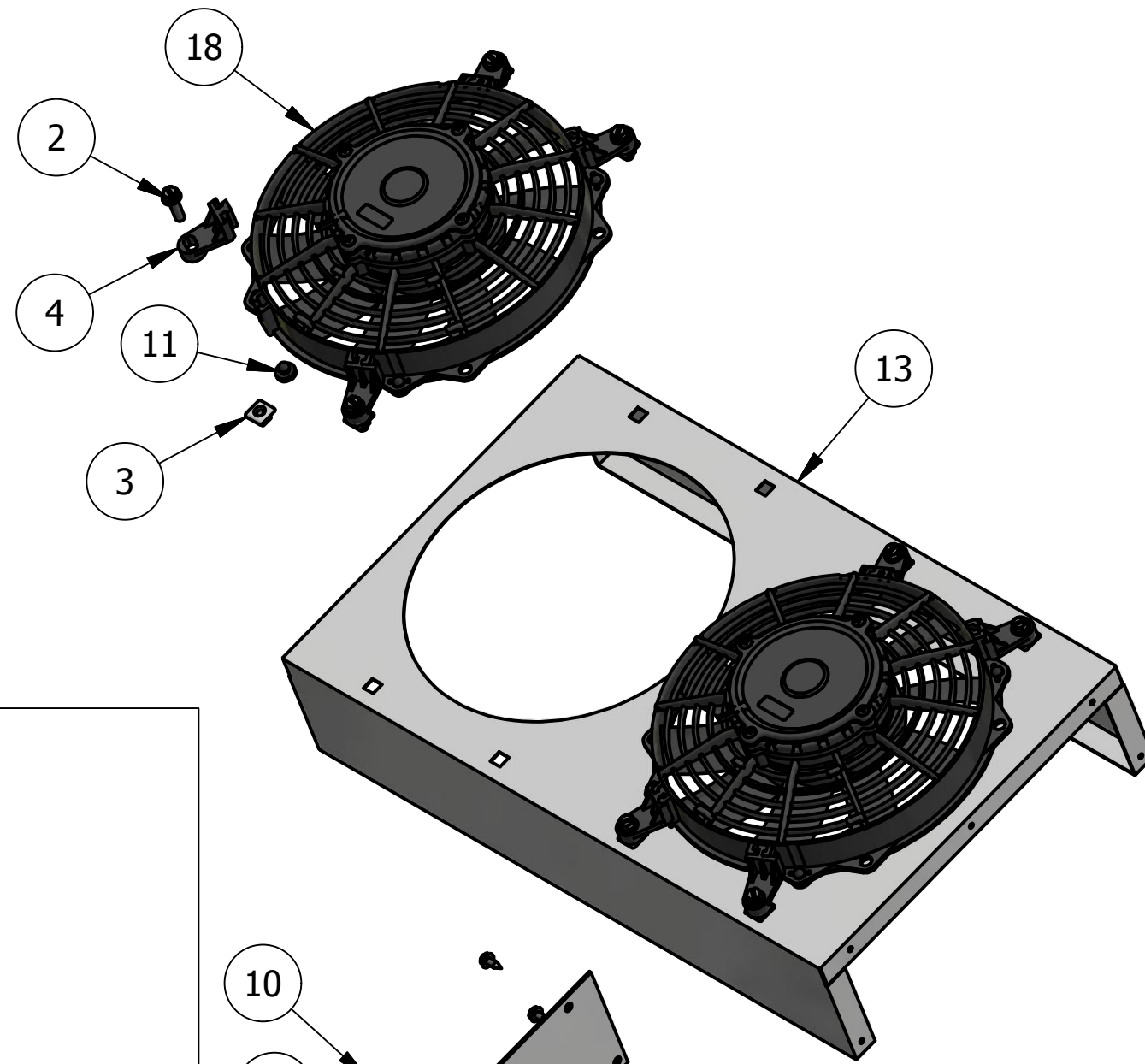
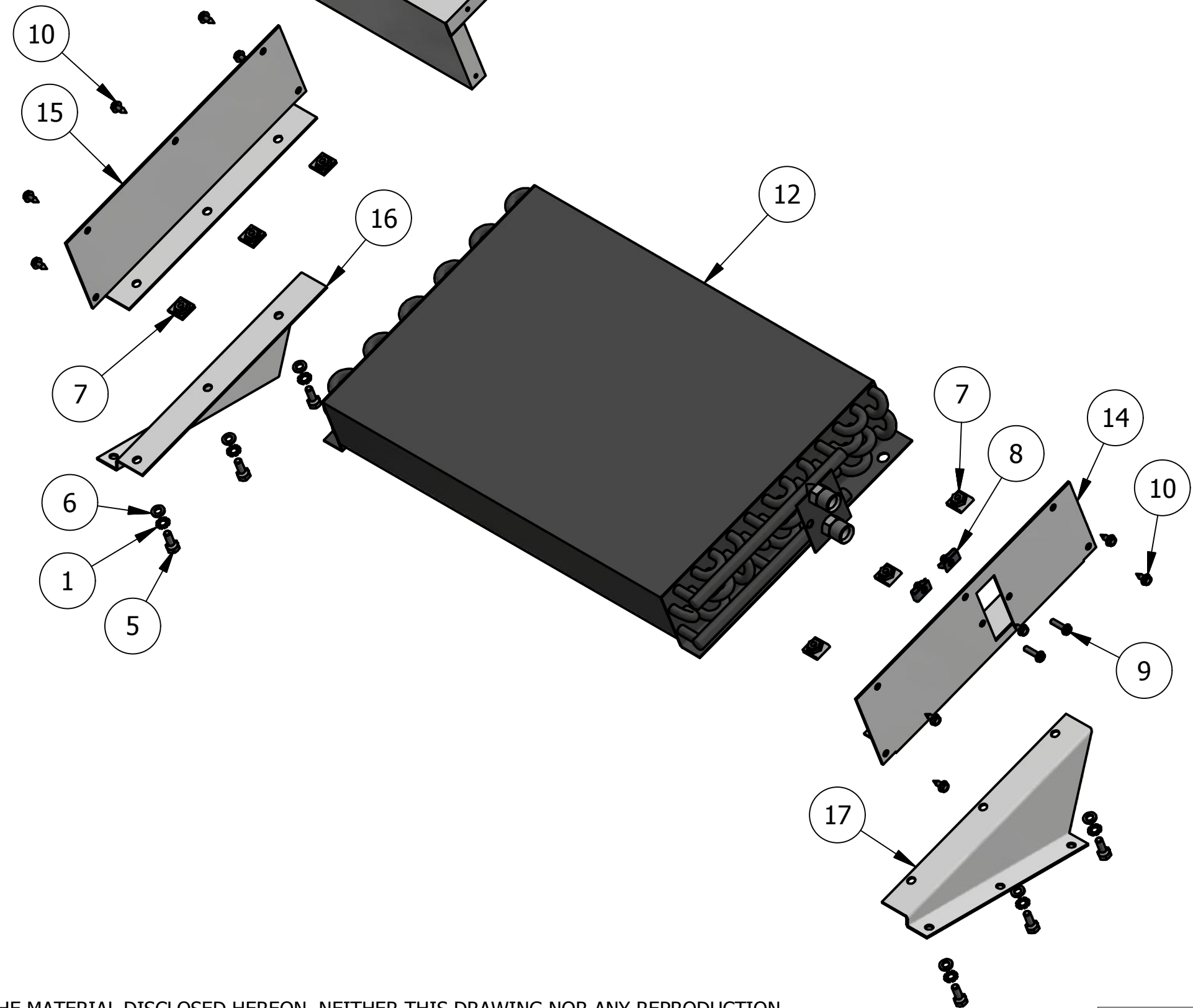
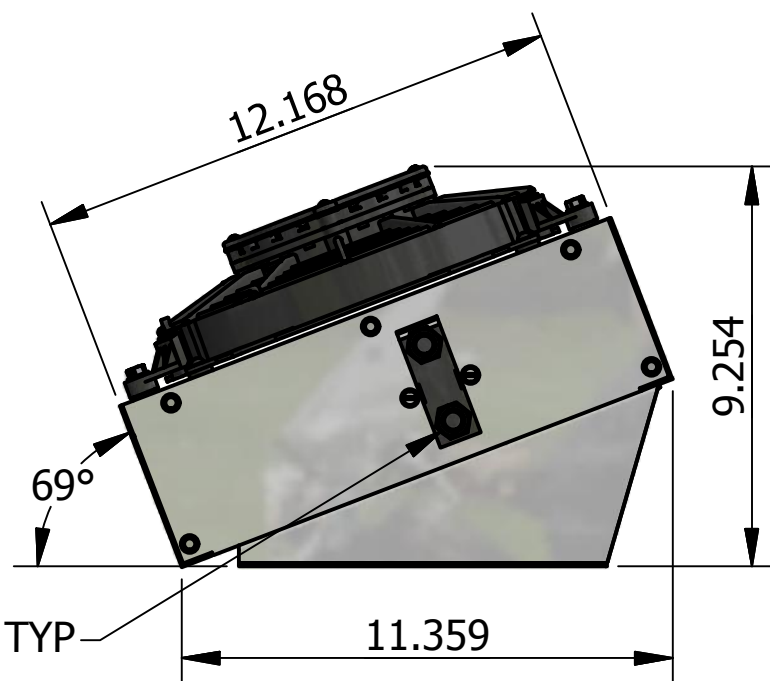
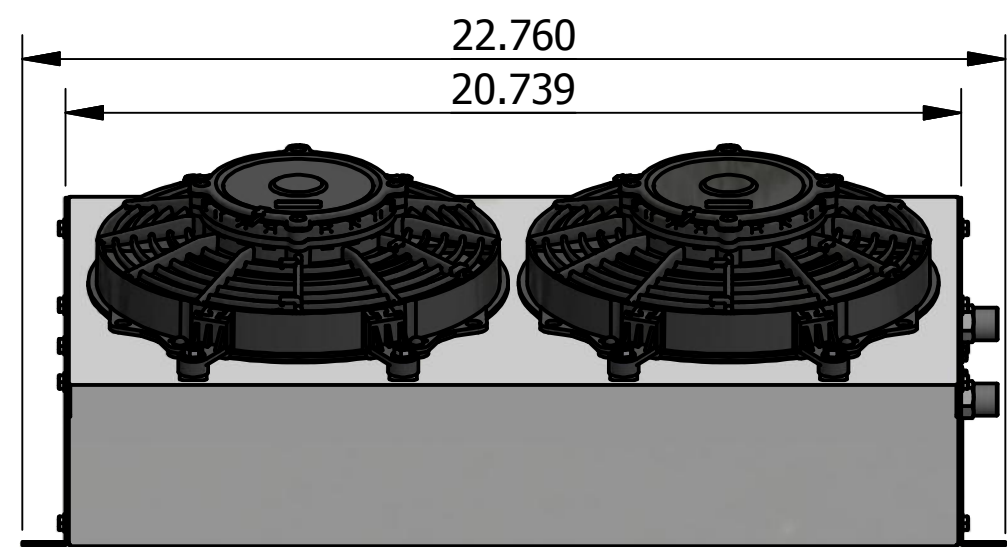
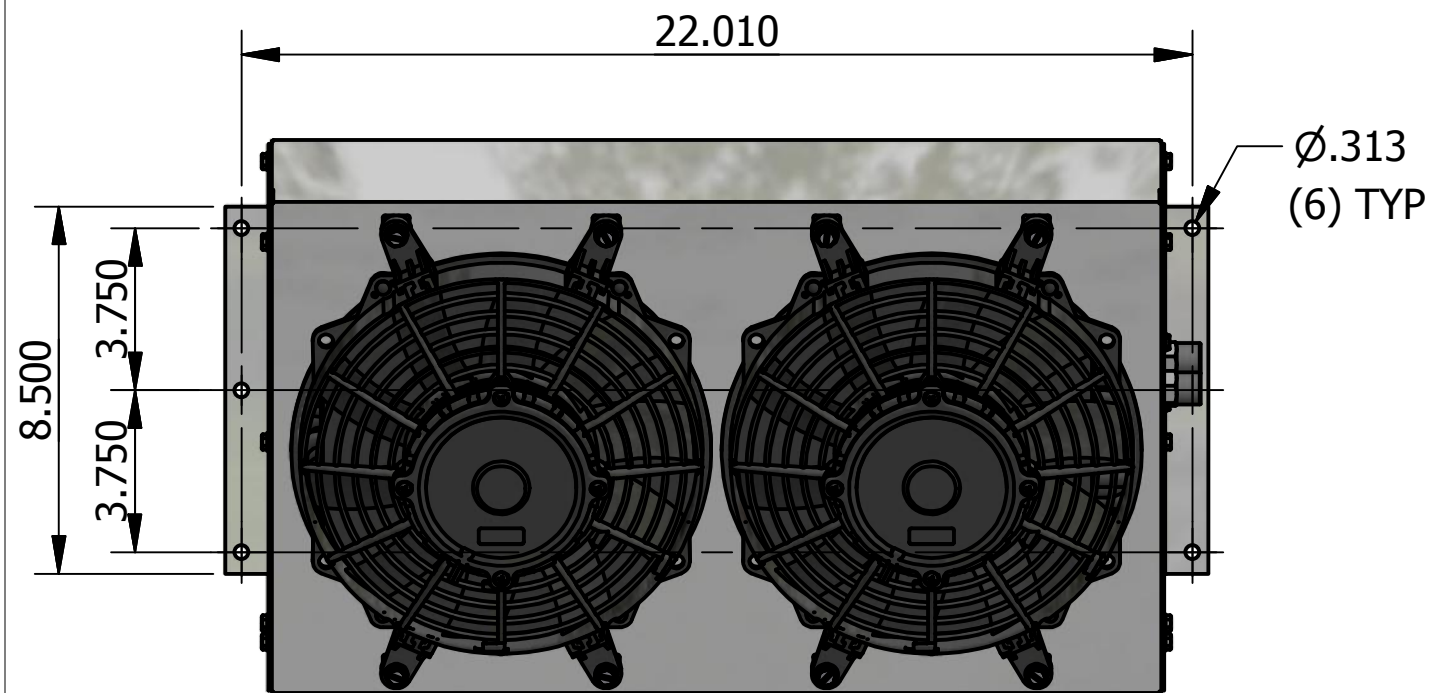


PARTS LIST			
ITEM	QTY	PART NUMBER	DESCRIPTION
1	6	02 000 228	WASHER, 1/4 EXT TOOTH SS
2	8	02 000 229	SCREW, 14 x 1 SLT HEX WSHR SS
3	8	02 000 230	GROMMET, PANEL INSERT NYLON
4	8	02 000 277	BRKT, FAN 90 DEG MTG DCM
5	6	02 000 380	BOLT, 1/4-20 x 3/4 SS
6	6	02 000 381	WASHER, 1/4 FLAT SS
7	6	02 000 463	NUT, U RETAINER TYPE 1/4-20 ZIN
8	2	02 000 485	SPEED CLIP, 10-24 EXTENDED
9	2	02 000 492	BOLT, 10-24 x 3/4 HEX WSHR SS
10	10	02 000 543	SCREW, 10 x 1/2 HEX WSHR TEK SS
11	8	02 000 594	BUMPER, RUBBER PUSH IN
12	1	03 000 212	COIL, CONDENSER
13	1	06 001 421	HOUSING, CONDENSER
14	1	06 001 422	PLATE, LH SIDE
15	1	06 001 423	PLATE, RH SIDE
16	1	06 001 424	BRKT, CONDENSER REAR MTG
17	1	06 001 425	BRKT, CONDENSER FRONT MTG
18	2	60 001 552	SUB ASSY, 9" PULLWER FAN w/WEATHER PACK



MOUNT INFO



PROPRIETARY & CONFIDENTIAL. UNPUBLISHED WORK COPYRIGHT PRO AIR LLC. PRO AIR, LLC CLAIMS PROPRIETARY RIGHTS IN THE MATERIAL DISCLOSED HEREON. NEITHER THIS DRAWING NOR ANY REPRODUCTION OR PORTION THEREOF MAY BE DISTRIBUTED OR USED TO MANUFACTURE ANYTHING SHOWN HEREON WITHOUT PERMISSION IN WRITING FROM PROAIR, LLC.

REV. A

A		18-090		RELEASED TO PRODUCTION		CEB		5/8/18		 2900 COUNTY RD 6 W ELKHART, IN 46514		TITLE:		PART NO. 31 000 080	
LET.		NO.		REVISION		BY		DATE				APPROVED		103 SKIRT CONDENSER	
										USAGE:		ALL		SHEET 1 OF 1	