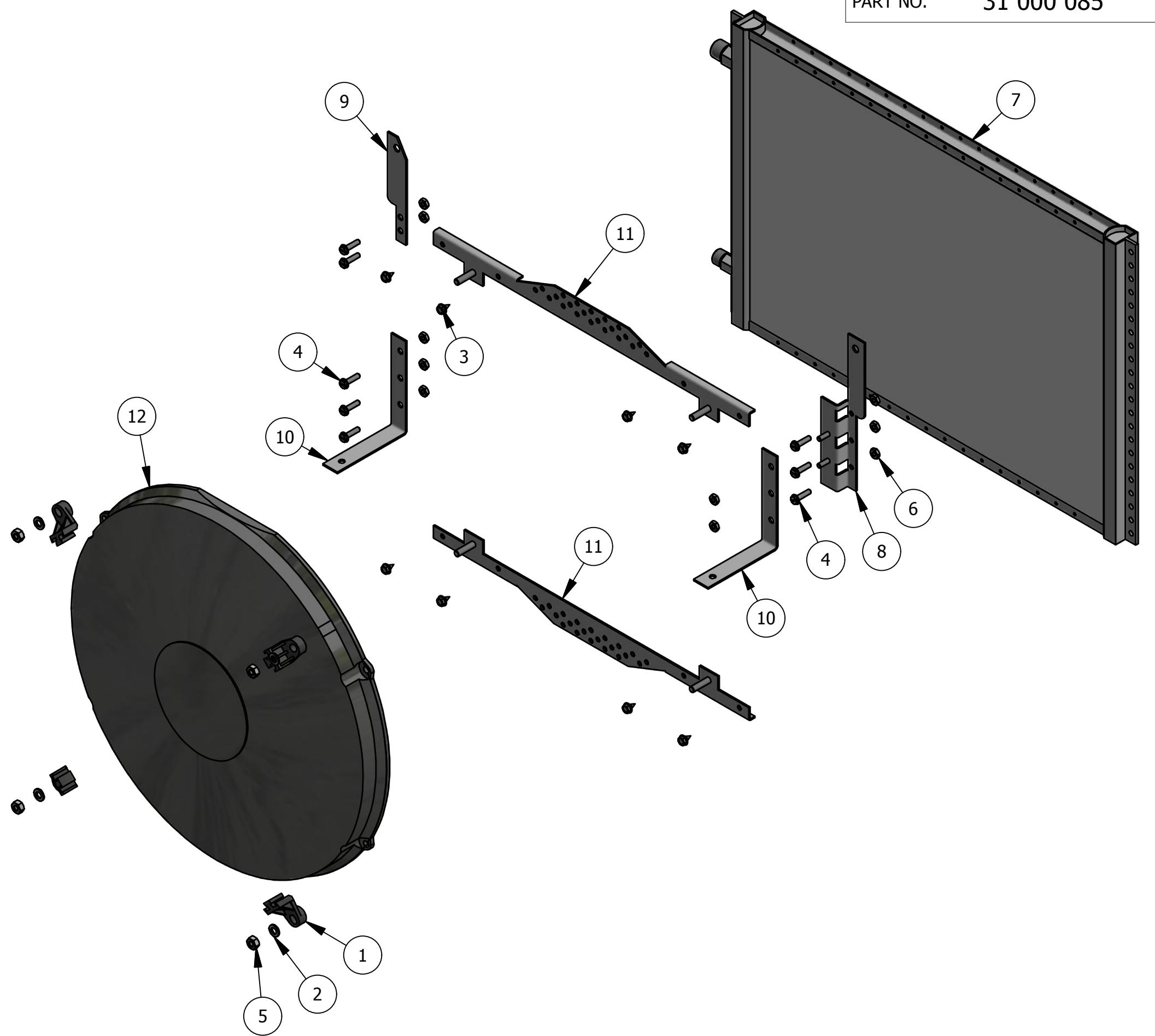
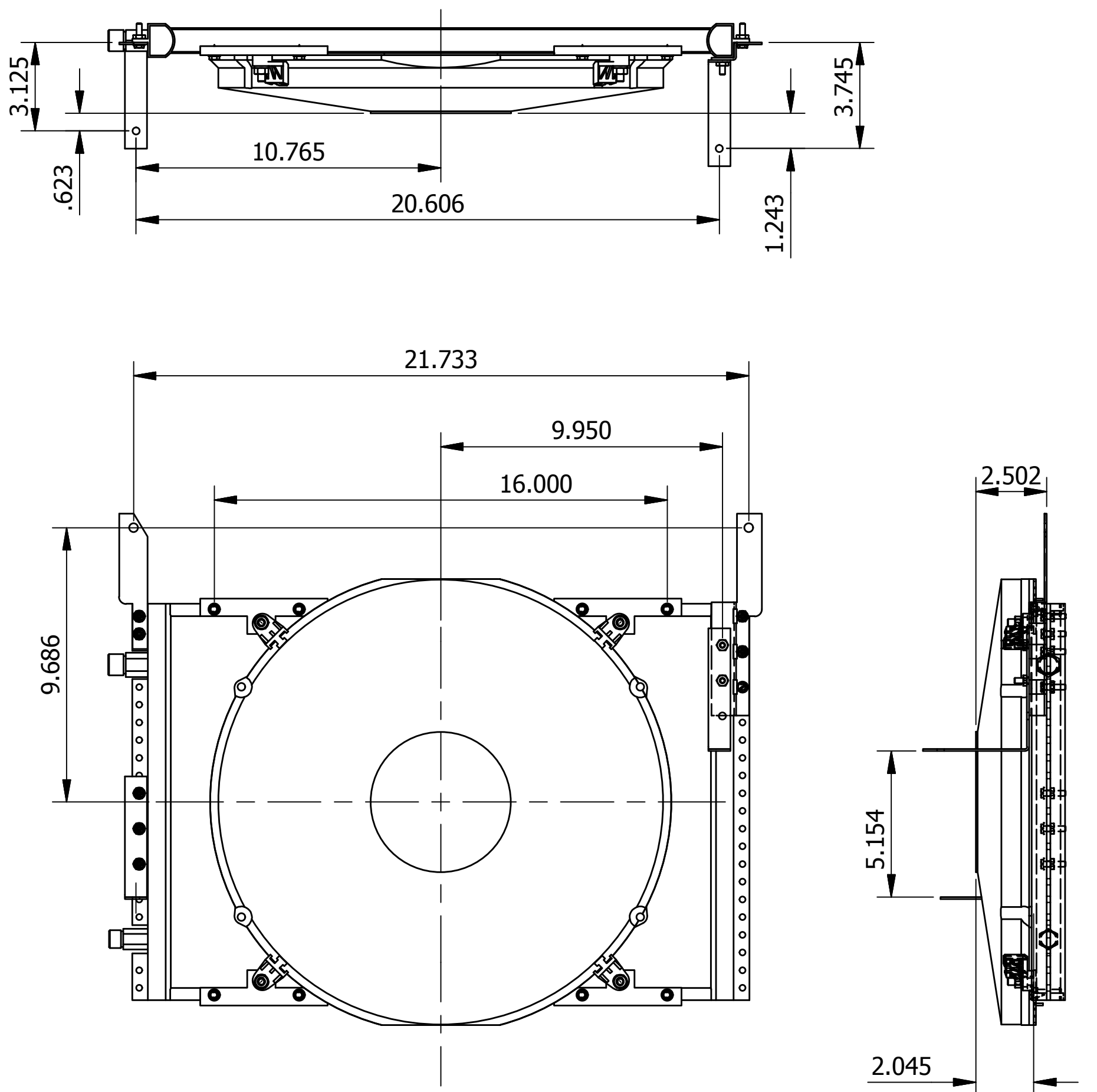


PART NO. 31 000 085

PARTS LIST			
ITEM	QTY	PART NUMBER	DESCRIPTION
1	4	02 000 246	BRKT, FAN 90 DEG MTG DCM
2	4	02 000 381	WASHER, 1/4 FLAT SS
3	8	02 000 439	SCREW, 10 x 3/8 HEX WSHR SS TYP
4	8	02 000 492	BOLT, 10-24 x 3/4 HEX WSHR SS
5	4	02 000 531	NUT, 1/4-20 NYLON LOCK, SS
6	10	02 000 533	NUT, 10-24 NYLON LOCK SS
7	1	03 000 187	COIL, COND H/C-TIE
8	1	06 001 497	BRKT, COND COIL MTG - DS TOP
9	1	06 001 498	BRKT, COND COIL MTG - PS TOP
10	2	06 001 499	BRKT, COIL MTG - BUMPER
11	2	06 001 500	BRKT, COND. FAN MTG
12	1	11 000 241	

MOUNT INFO



PROPRIETARY & CONFIDENTIAL. UNPUBLISHED WORK COPYRIGHT PRO AIR LLC. PRO AIR, LLC CLAIMS PROPRIETARY RIGHTS IN THE MATERIAL DISCLOSED HEREON. NEITHER THIS DRAWING NOR ANY REPRODUCTION OR PORTION THEREOF MAY BE DISTRIBUTED OR USED TO MANUFACTURE ANYTHING SHOWN HEREON WITHOUT PERMISSION IN WRITING FROM PROAIR, LLC.

REV. A

A	13-001	RELEASED TO PRODUCTION	MRM	01/14/13	DATE	APPROVED	SIGNATURES	DATE	TITLE:	PART NO.	31 000 085
										CHECKED	KFS
LET.	NO.	REVISION	BY	DATE					USAGE:	ALL	SHEET 1 OF 1

