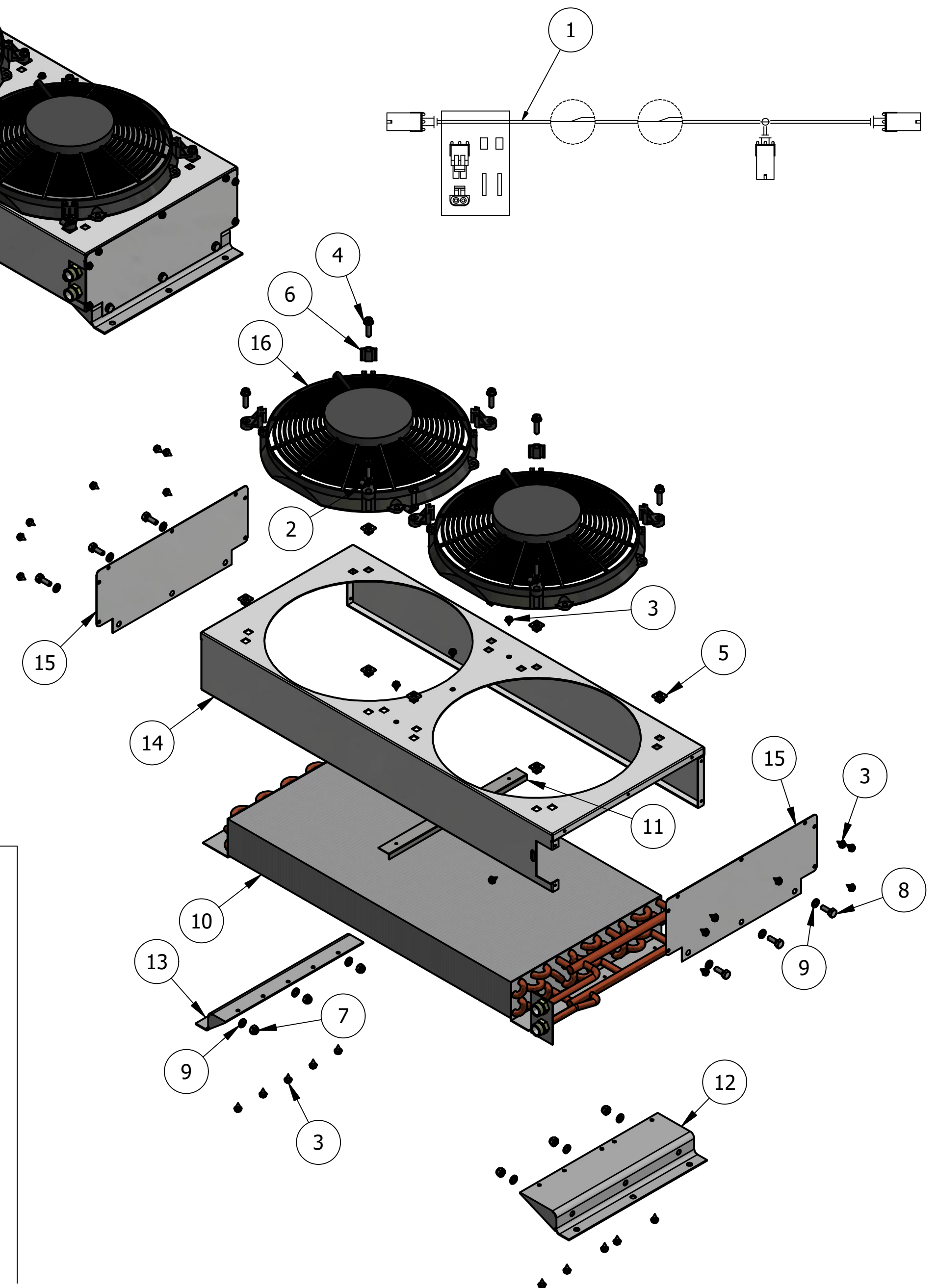
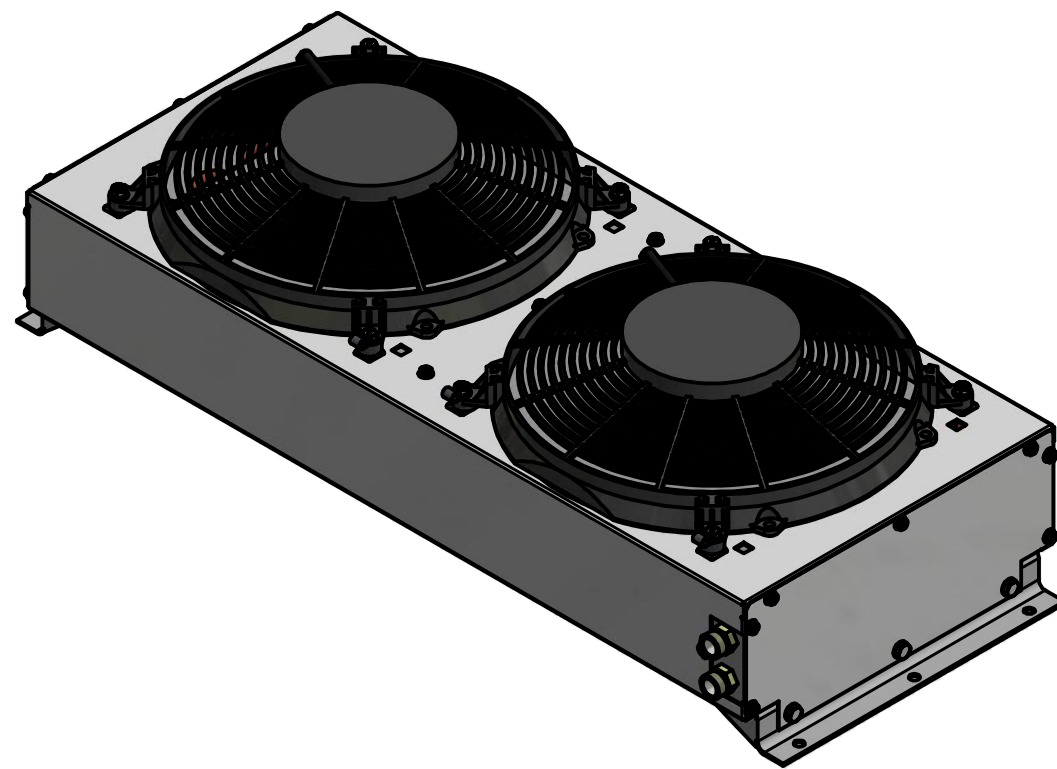
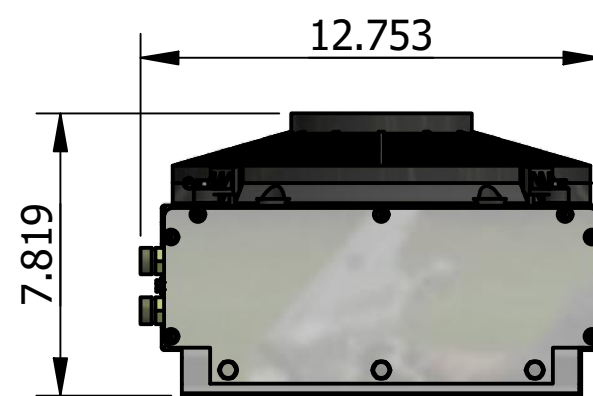
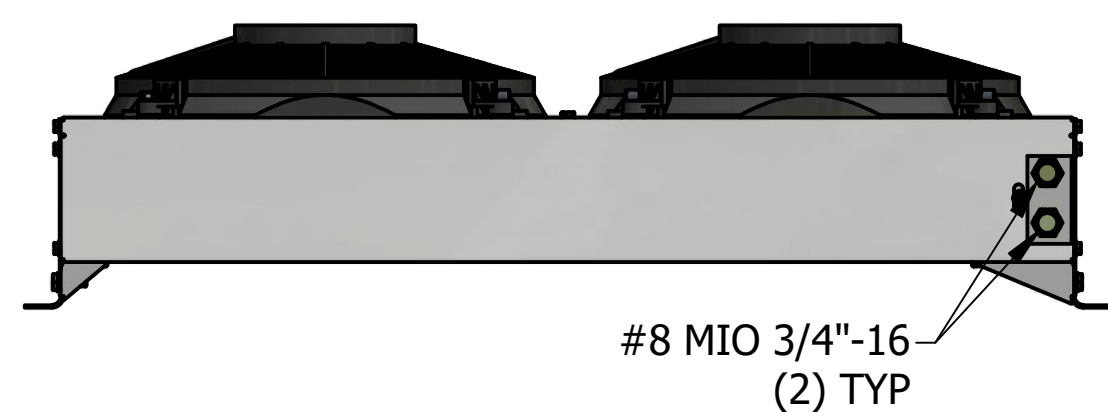
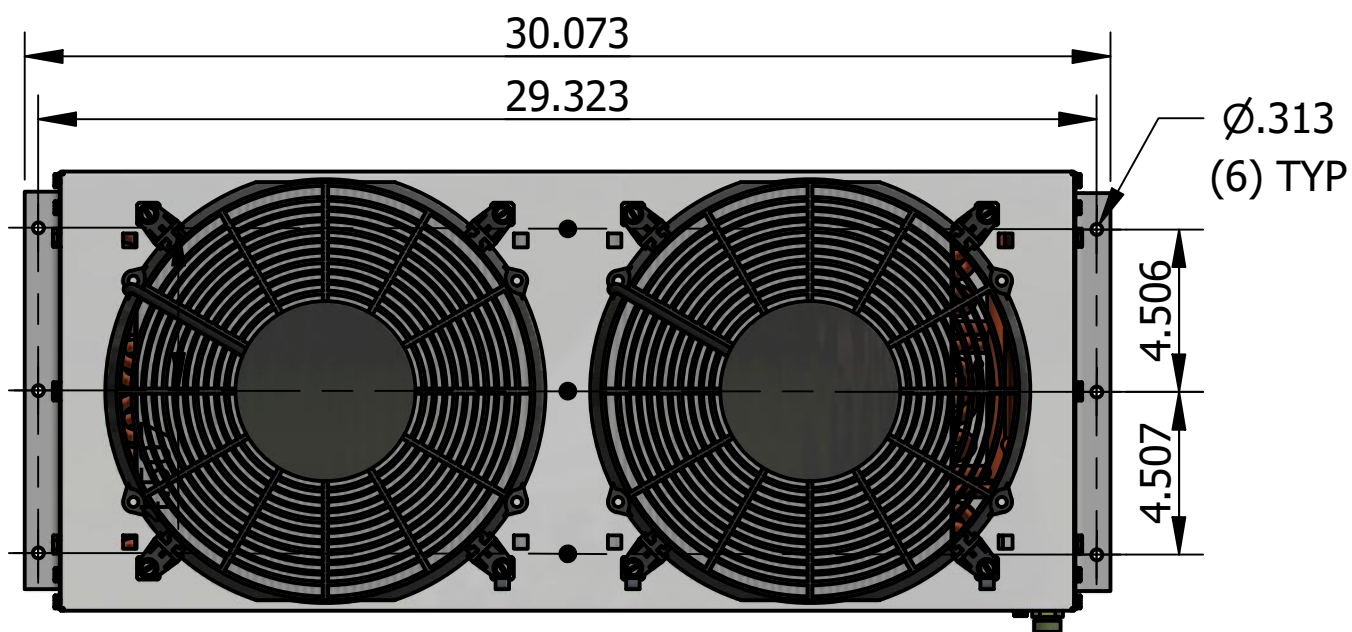


PARTS LIST			
ITEM	QTY	PART NUMBER	DESCRIPTION
1	1	01 000 272	
2	3	02 000 100	LINESTAKE, 1/4" I.D. NYLON
3	28	02 000 227	SCREW, 10 x 3/8 HEX WSHR TYPE A
4	8	02 000 229	SCREW, 14 x 1 SLT HEX WSHR SS
5	8	02 000 230	GROMMET, PANEL INSERT NYLON
6	8	02 000 246	BRKT, FAN 90 DEG MTG DCM
7	6	02 000 283	NUT, 1/4-20 NYLON LOCK
8	6	02 000 380	BOLT, 1/4-20 x 3/4 SS
9	12	02 000 381	WASHER, 1/4 FLAT SS
10	1	03 000 124	COIL, COND 12 x 36 110/111
11	1	06 000 465	BRACE, CASE TOP COND
12	1	06 000 467	BRKT, LS 111 COND MOUNT
13	1	06 000 468	BRKT, RS 111 COND MOUNT
14	1	06 000 479	HOUSING, 3 FAN CONDENSER
15	2	06 000 752	PANEL, CONDENSER SIDE BRKT MNT
16	2	11 000 147	FAN, 11" PULLER HIGH OUTPUT 12v

PART NO. 31 000 090

MOUNT INFO



PROPRIETARY & CONFIDENTIAL. UNPUBLISHED WORK COPYRIGHT PRO AIR LLC. PRO AIR, LLC CLAIMS PROPRIETARY RIGHTS IN THE MATERIAL DISCLOSED HEREON. NEITHER THIS DRAWING NOR ANY REPRODUCTION OR PORTION THEREOF MAY BE DISTRIBUTED OR USED TO MANUFACTURE ANYTHING SHOWN HEREON WITHOUT PERMISSION IN WRITING FROM PROAIR, LLC.

REV. A

A		18-090		RELEASED TO PRODUCTION		CEB		8/23/18		 2900 COUNTY RD 6 W ELKHART, IN 46514		TITLE:		PART NO. 31 000 090	
LET.		NO.		REVISION		BY		DATE				APPROVED		FRIGGING, 109FL COND	
										USAGE:		ALL		SHEET 1 OF 1	