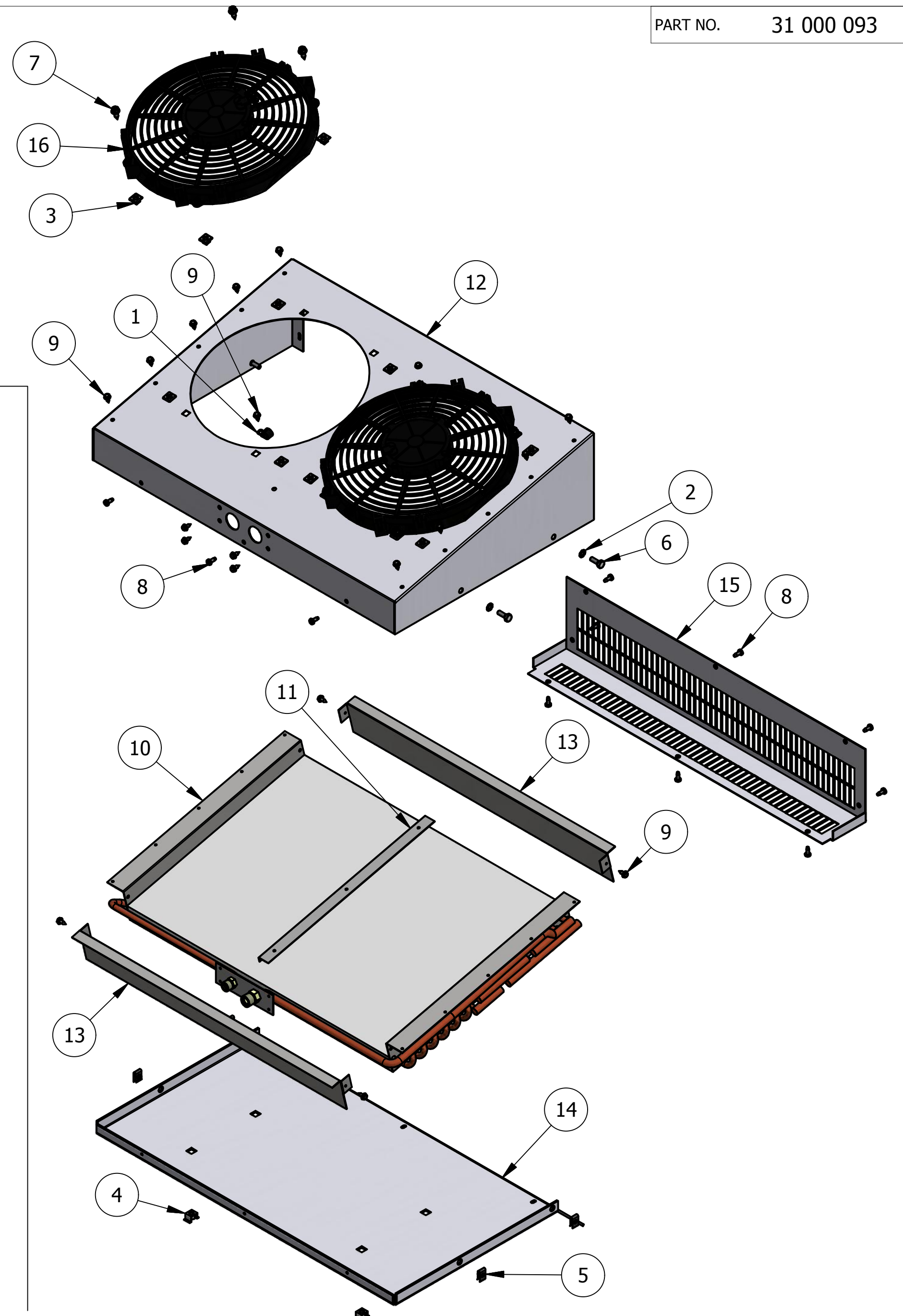
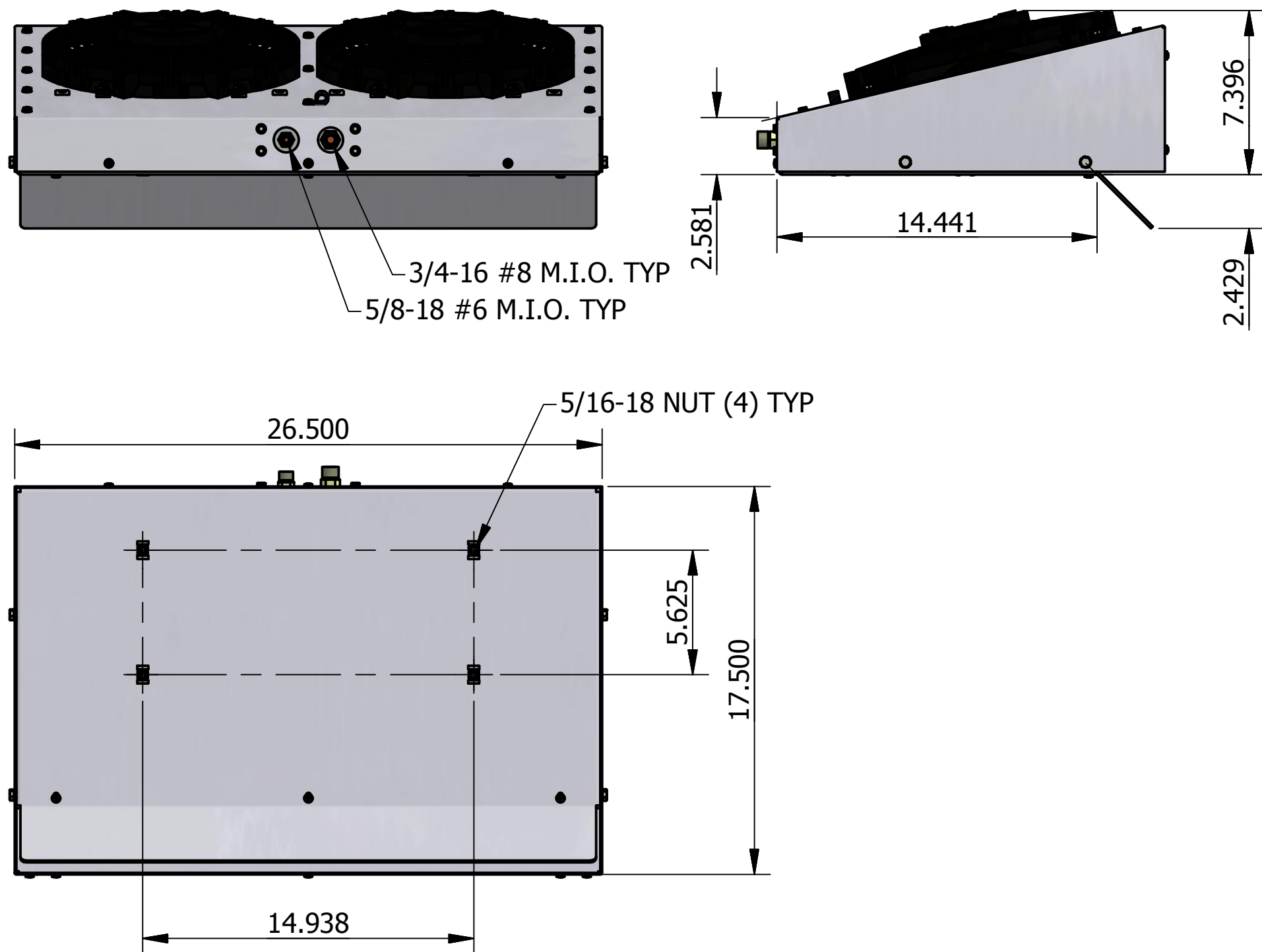


PARTS LIST			
ITEM	QTY	PART NUMBER	DESCRIPTION
1	1	02 000 008	LINESTAKE, 3/8" VINYL
2	4	02 000 228	WASHER, 1/4 EXT TOOTH SS
3	16	02 000 230	GROMMET, PANEL INSERT NYLON
4	4	02 000 269	RETAINER, 5/16-18 NUT
5	4	02 000 271	U-NUT, 1/4-20 MULTI-THREAD
6	4	02 000 380	BOLT, 1/4-20 x 3/4 SS
7	8	02 000 398	SCREW, 14 x 3/4 SLT HEX WSHR SS
8	11	02 000 534	SCREW, 10-24 x 1/2 PHIL PAN TYP
9	21	02 000 543	SCREW, 10 x 1/2 HEX WSHR TEK SS
10	1	03 000 217	COIL, CONDENSER 106G
11	1	06 000 323	BRACE, CASE TOP 106
12	1	06 001 575	HOUSING, FAN 106G
13	2	06 001 576	PLATE, BAFFLE 106G
14	1	06 001 582	HOUSING, BOTTOM 106HD
15	1	06 001 583	HOUSING, BOTTOM FRONT 106HD
16	2	11 000 147	FAN, 11" PULLER 12V

PART NO. 31 000 093

MOUNT INFO



PROPRIETARY & CONFIDENTIAL. UNPUBLISHED WORK COPYRIGHT PRO AIR LLC. PRO AIR, LLC CLAIMS PROPRIETARY RIGHTS IN THE MATERIAL DISCLOSED HEREON. NEITHER THIS DRAWING NOR ANY REPRODUCTION OR PORTION THEREOF MAY BE DISTRIBUTED OR USED TO MANUFACTURE ANYTHING SHOWN HEREON WITHOUT PERMISSION IN WRITING FROM PROAIR, LLC.

REV. A

A		18-090		RELEASED TO PRODUCTION		CEB		4/6/18		 2900 COUNTY RD 6 W ELKHART, IN 46514		TITLE:		PART NO. 31 000 093	
LET.		NO.		REVISION		BY		DATE				APPROVED		FRIGIKING, 106HD CONDENSER	
												USAGE:		SHEET 1 OF 1	
												ALL		SIZE A	