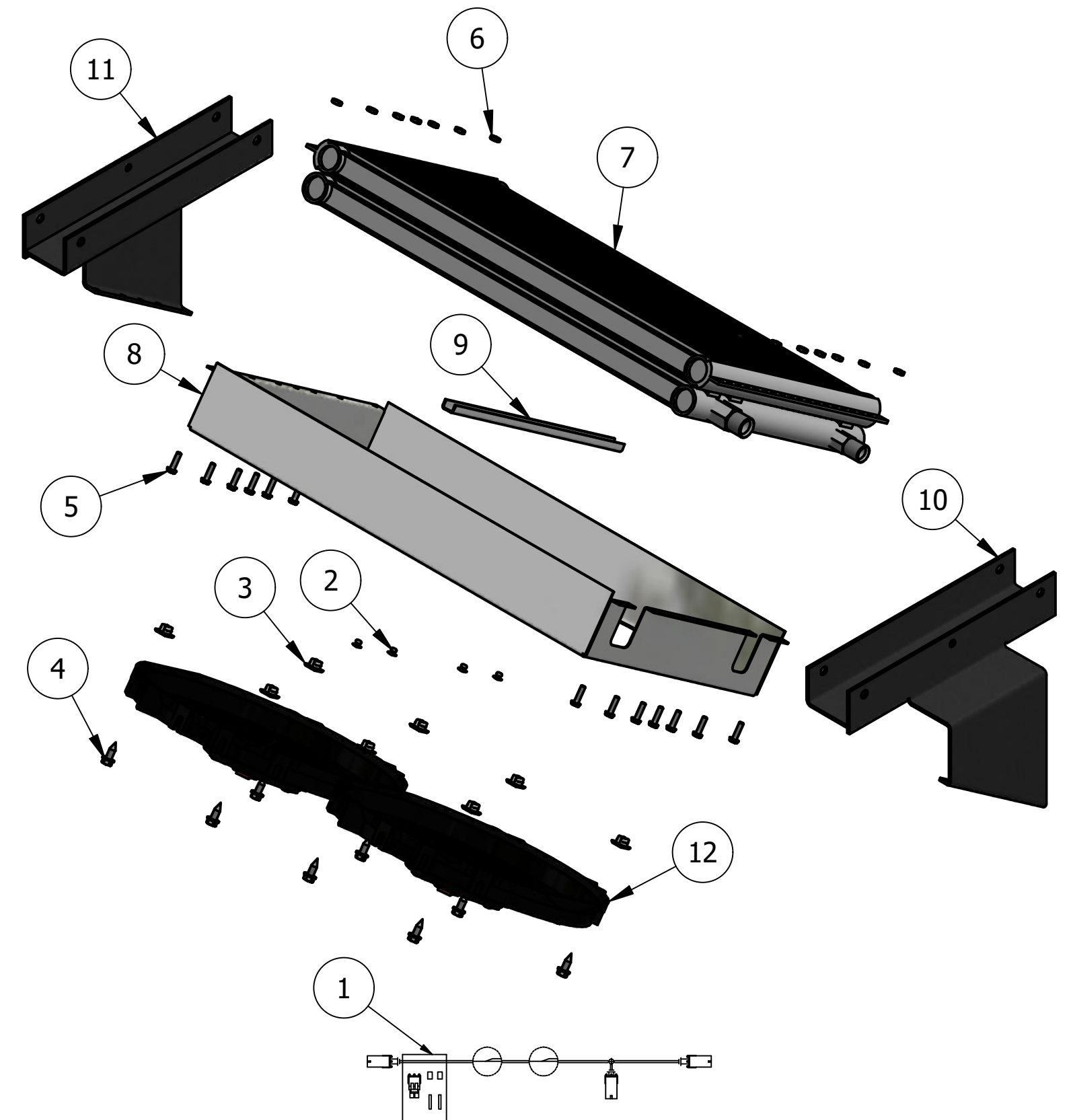
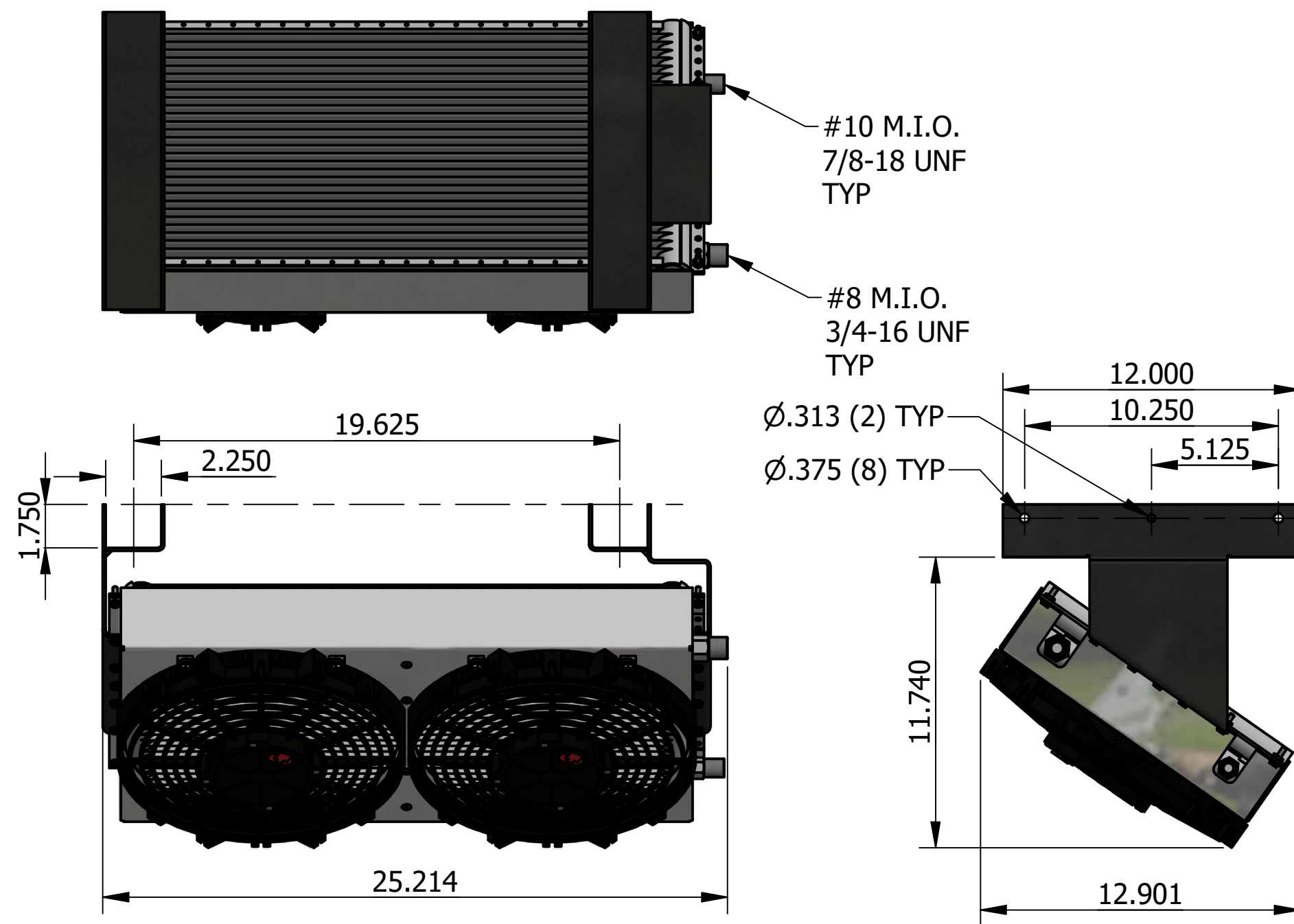


PARTS LIST			
ITEM	QTY	PART NUMBER	DESCRIPTION
1	1	01 000 272	HARN, FAN
2	4	02 000 096	RIVET, 3/16 x 9/32
3	8	02 000 230	GROMMET, PANEL INSERT NYLON
4	8	02 000 398	SCREW, 14 x 3/4 SLT HEX WSHR SS
5	14	02 000 492	BOLT, 10-24 x 3/4 HEX WSHR SS
6	14	02 000 533	NUT, 10-24 NYLON LOCK SS
7	1	03 000 252	COIL, COND DBL 24" x 12"
8	1	06 002 148	HOUSING, SPRINTER 170" '19 COND 126
9	1	06 002 149	BRACE, 126 HOUSING
10	1	06 002 150	BRKT, FRONT SPRT 170" '19 COND 126
11	1	06 002 151	BRKT, BACK SPRT 170" '19 COND 126
12	2	11 000 147	FAN, 11" PULLER 12V

MOUNT INFO



PROPRIETARY & CONFIDENTIAL. UNPUBLISHED WORK COPYRIGHT PRO AIR LLC. PRO AIR, LLC CLAIMS PROPRIETARY RIGHTS IN THE MATERIAL DISCLOSED HEREON. NEITHER THIS DRAWING NOR ANY REPRODUCTION OR PORTION THEREOF MAY BE DISTRIBUTED OR USED TO MANUFACTURE ANYTHING SHOWN HEREON WITHOUT PERMISSION IN WRITING FROM PROAIR, LLC.

REV. A

A		19-032		RELEASED TO PRODUCTION		CEB		2/5/19				TITLE:		PART NO. 31 000 138	
LET.	NO.	REVISION		BY	DATE	SIGNATURES		DATE				2900 COUNTY RD 6 W ELKHART, IN 46514		CONDENSER, 126 170" '19 SPRT	
						DRAWN CEB		2/5/19				USAGE:		SHEET 1 OF 1	
						CHECKED RAI		2/5/19				126 CONDENSER			
						APPROVED									