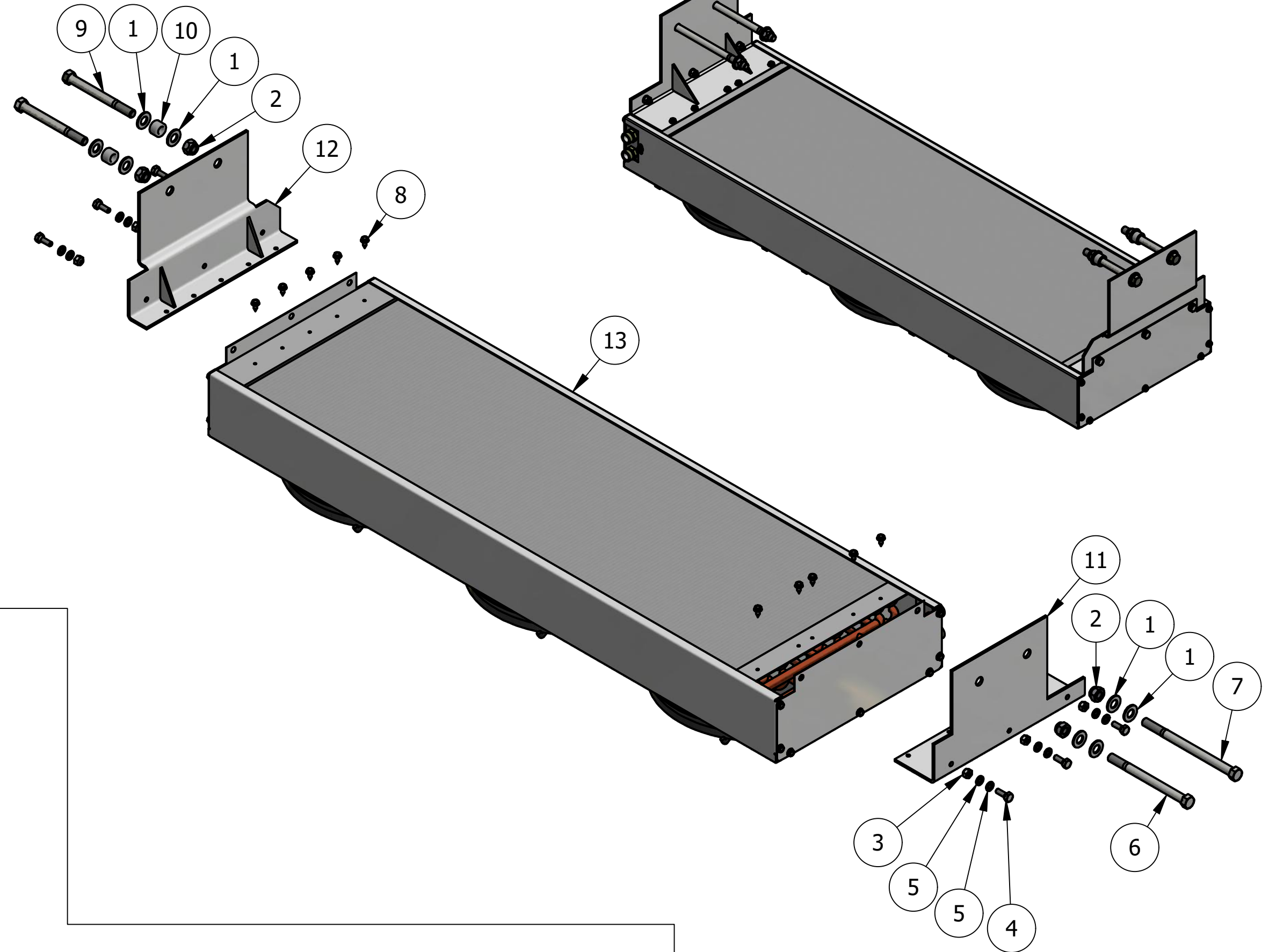
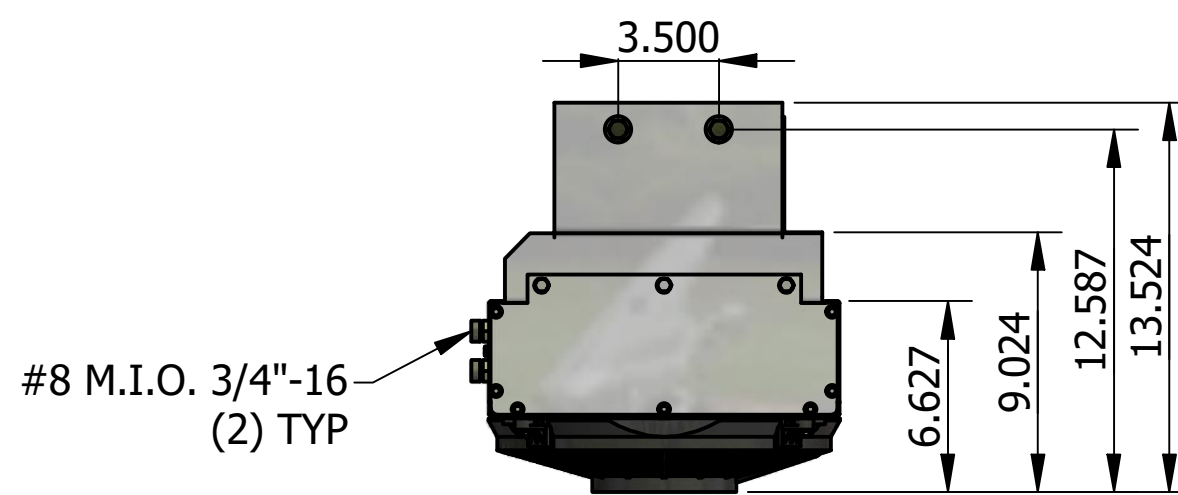
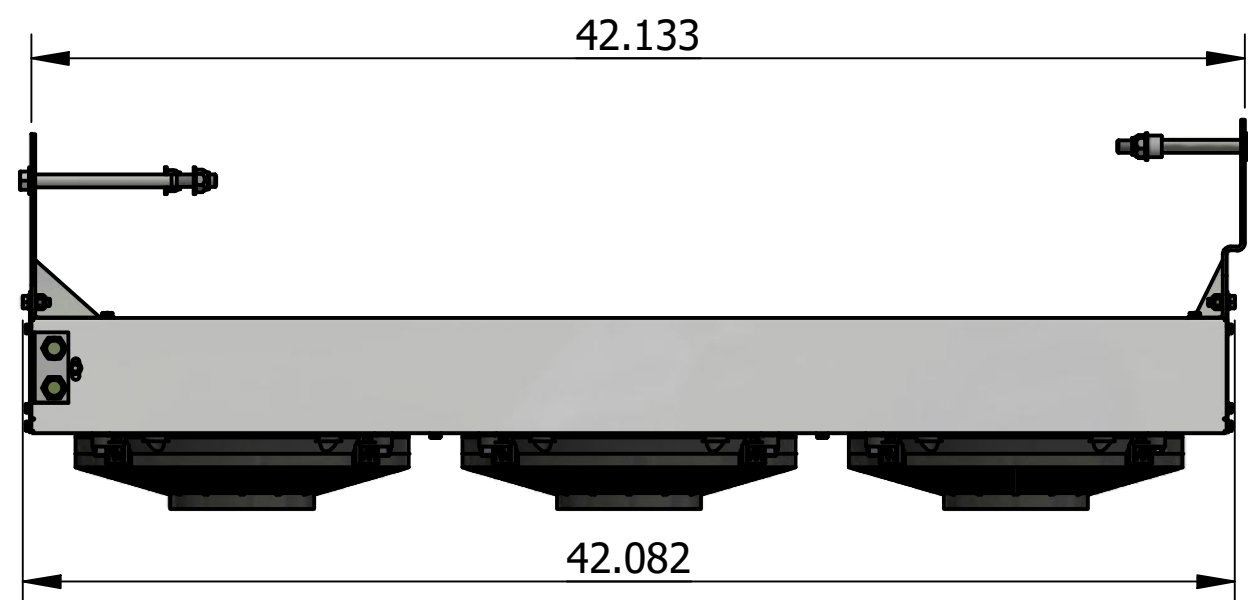
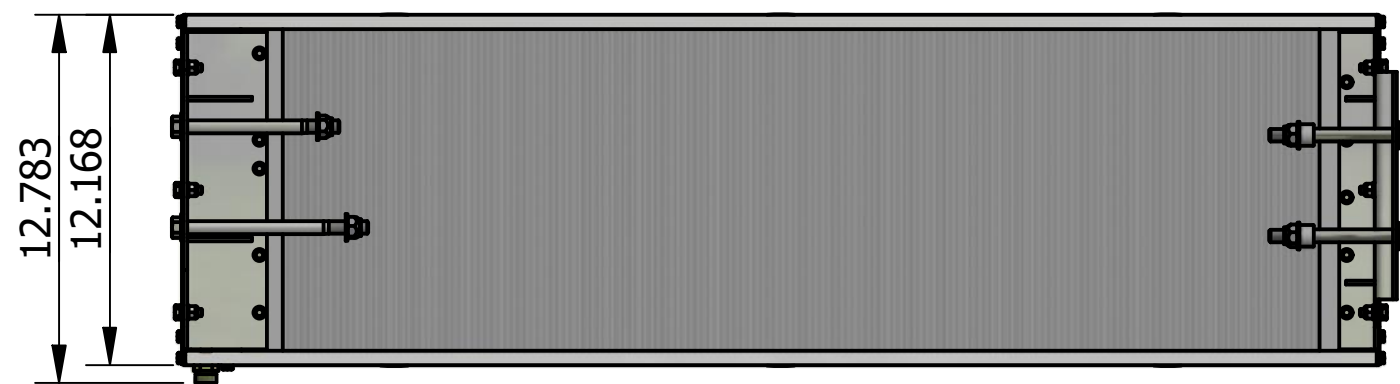


PARTS LIST - 50 001 174			
ITEM	QTY	PART NUMBER	DESCRIPTION
1	8	02 000 218	WASHER, 7/16 SAE FLAT ZINC
2	4	02 000 279	NUT 7/16-14 NYLON LOCK
3	6	02 000 283	NUT, 1/4-20 NYLON LOCK
4	6	02 000 380	BOLT, 1/4-20 x 3/4 SS
5	12	02 000 381	WASHER, 1/4 FLAT SS
6	1	02 000 416	BOLT, 7/16-14 x 5.500"
7	1	02 000 417	BOLT, 7/16-14 x 6.500"
8	10	02 000 543	SCREW, 10 x 1/2 HEX WSHR TEK SS
9	2	02 000 656	BOLT, 7/16-14 x 4 1/2 ZINC PLATED
10	2	02 000 657	SPACER, .500" I.D. X .500" LONG
11	1	06 000 709	BRKT, COND MOUNT FRONT
12	1	06 000 710	BRKT, COND MOUNT REAR
13	1	31 000 034	FRGK, COND 110 SPRINTER LWB



MOUNT INFO

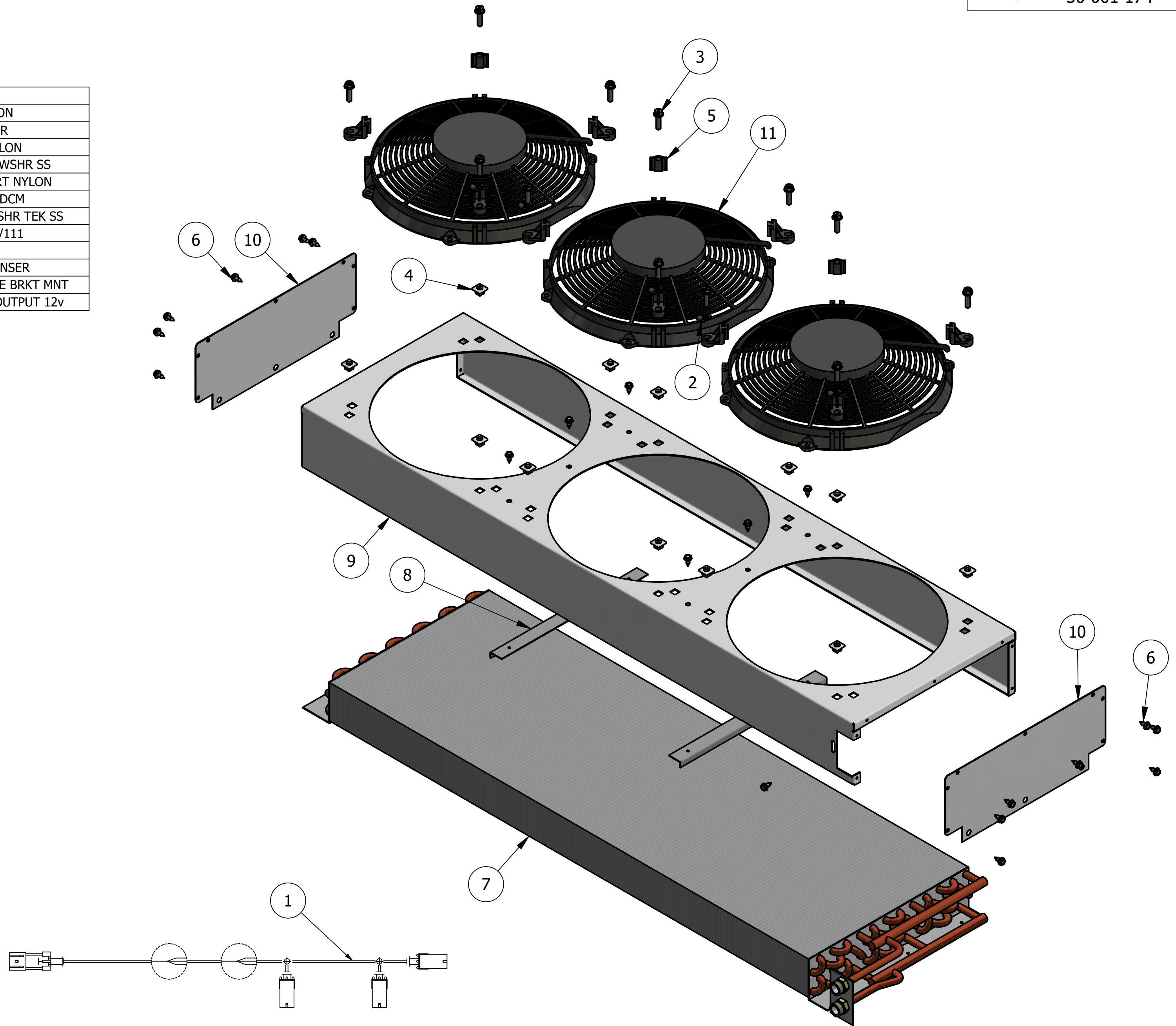


PROPRIETARY & CONFIDENTIAL. UNPUBLISHED WORK COPYRIGHT PRO AIR LLC. PRO AIR, LLC CLAIMS PROPRIETARY RIGHTS IN THE MATERIAL DISCLOSED HEREON. NEITHER THIS DRAWING NOR ANY REPRODUCTION OR PORTION THEREOF MAY BE DISTRIBUTED OR USED TO MANUFACTURE ANYTHING SHOWN HEREON WITHOUT PERMISSION IN WRITING FROM PROAIR, LLC.

REV. A

A 18-090		RELEASED TO PRODUCTION		CEB	9/11/18	 2900 COUNTY RD 6 W ELKHART, IN 46514	TITLE:	FRIGIKING, 110 CONDENSER		PART NO.	50 001 174		
LET.	NO.	REVISION		BY	DATE		APPROVED	USAGE:	SPRINT LWB		SCALE:	.15 : 1	SIZE
										SHEET	1	OF	2

PARTS LIST - 31 000 034			
ITEM	QTY	PART NUMBER	DESCRIPTION
1	1	01 000 245	HARN, 3 FAN CONDENSER
2	5	02 000 100	LINESTAKE, 1/4" I.D. NYLON
3	12	02 000 229	SCREW, 14 x 1 SLT HEX WSHR SS
4	12	02 000 230	GROMMET, PANEL INSERT NYLON
5	12	02 000 246	BRKT, FAN 90 DEG MTG DCM
6	21	02 000 543	SCREW, 10 x 1/2 HEX WSHR TEK SS
7	1	03 000 121	COIL, COND 12 x 36 110/111
8	2	06 000 465	BRACE, CASE TOP COND
9	1	06 000 466	HOUSING, 3 FAN CONDENSER
10	2	06 000 752	PANEL, CONDENSER SIDE BRKT MNT
11	3	11 000 147	FAN, 11" PULLER HIGH OUTPUT 12v



PROPRIETARY & CONFIDENTIAL. UNPUBLISHED WORK COPYRIGHT PRO AIR LLC. PRO AIR, LLC CLAIMS PROPRIETARY RIGHTS IN THE MATERIAL DISCLOSED HEREON. NEITHER THIS DRAWING NOR ANY REPRODUCTION OR PORTION THEREOF MAY BE DISTRIBUTED OR USED TO MANUFACTURE ANYTHING SHOWN HEREON WITHOUT PERMISSION IN WRITING FROM PROAIR, LLC.

REV. A

		SIGNATURES		DATE		TITLE:		PART NO. 50 001 174	
		DRAWN CEB		9/11/18		FRIGIKING, 110 CONDENSER		SCALE: .25 : 1	
		CHECKED RAI		9/11/18				SIZE A	
A 18-090		RELEASED TO PRODUCTION		CEB 9/11/18		USAGE: SPRINT LWB		SHEET 2 OF 2	
LET. NO.		REVISION		BY DATE		APPROVED			

