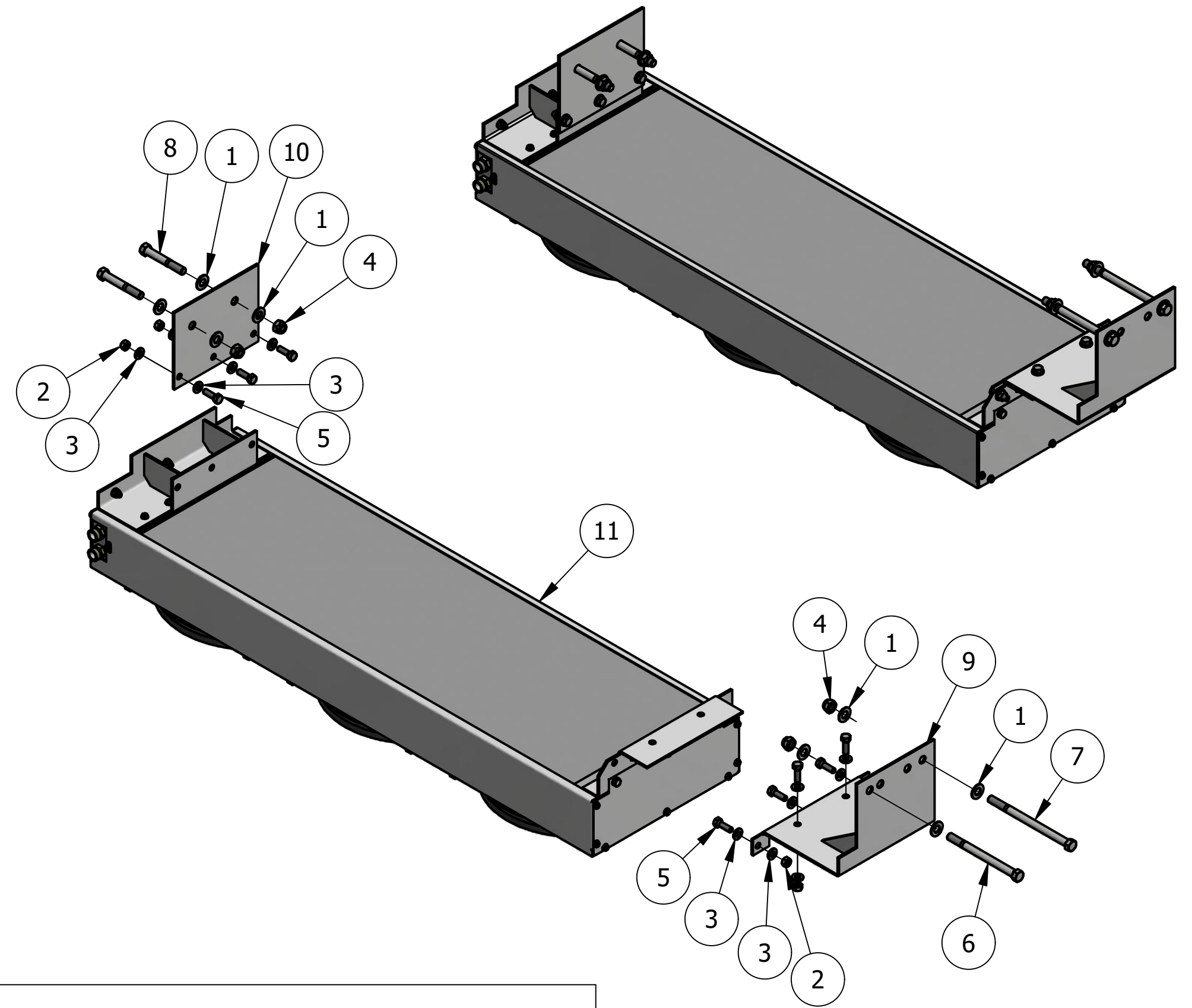
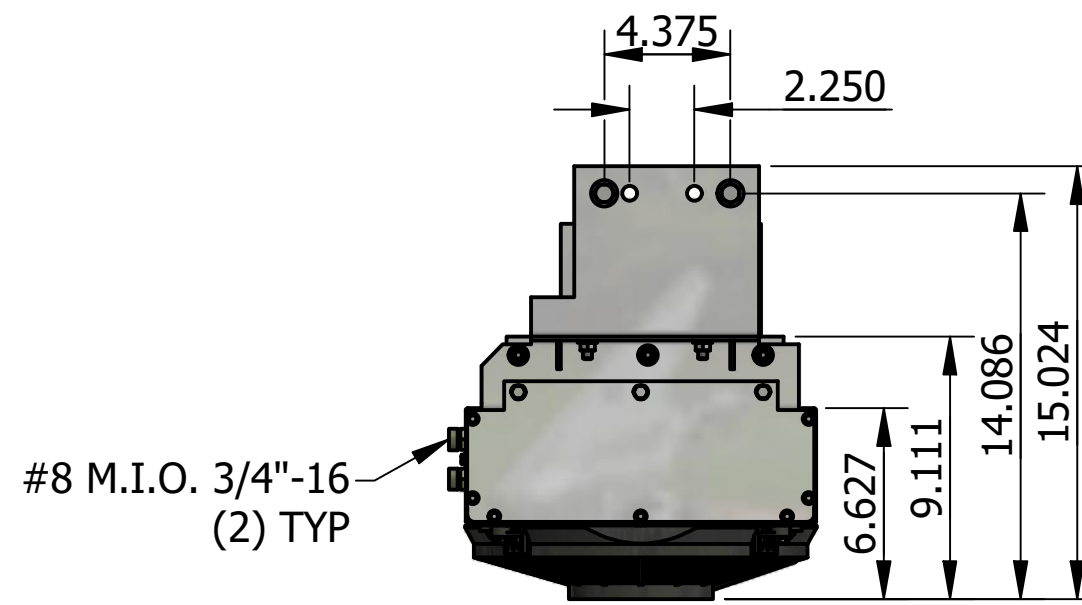
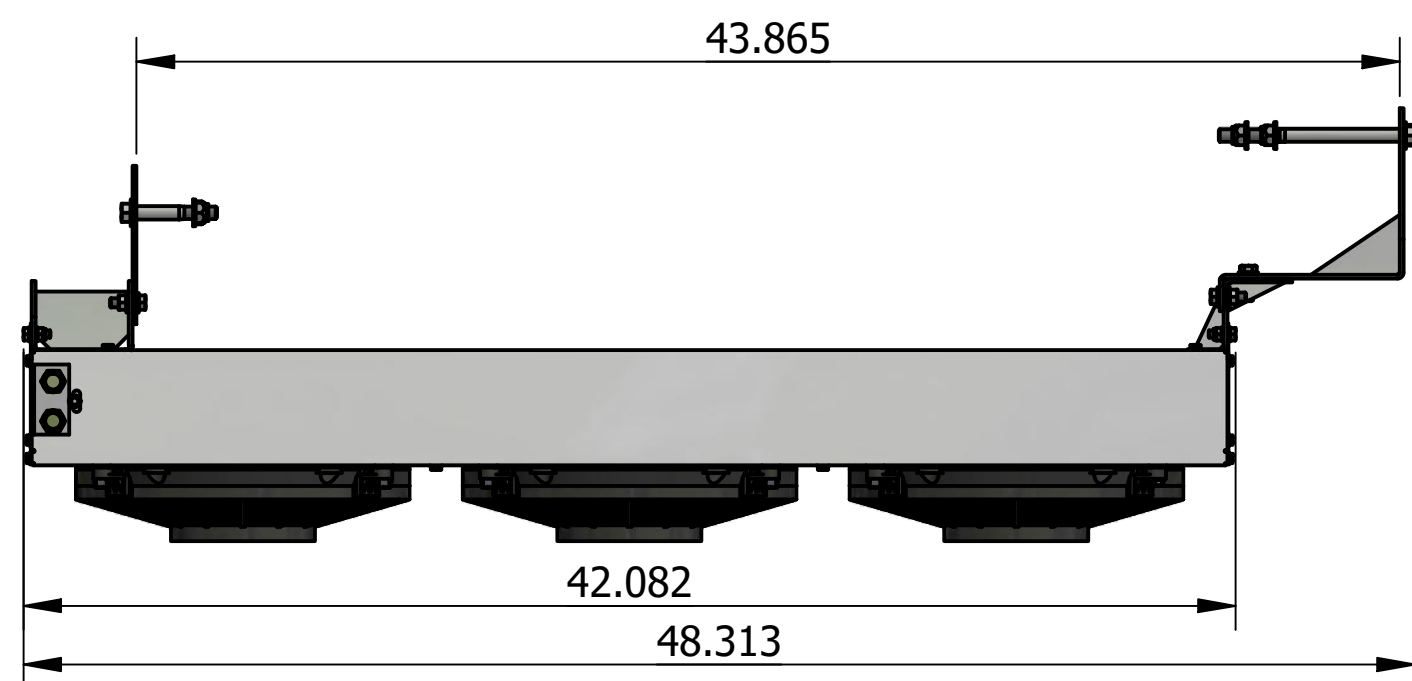
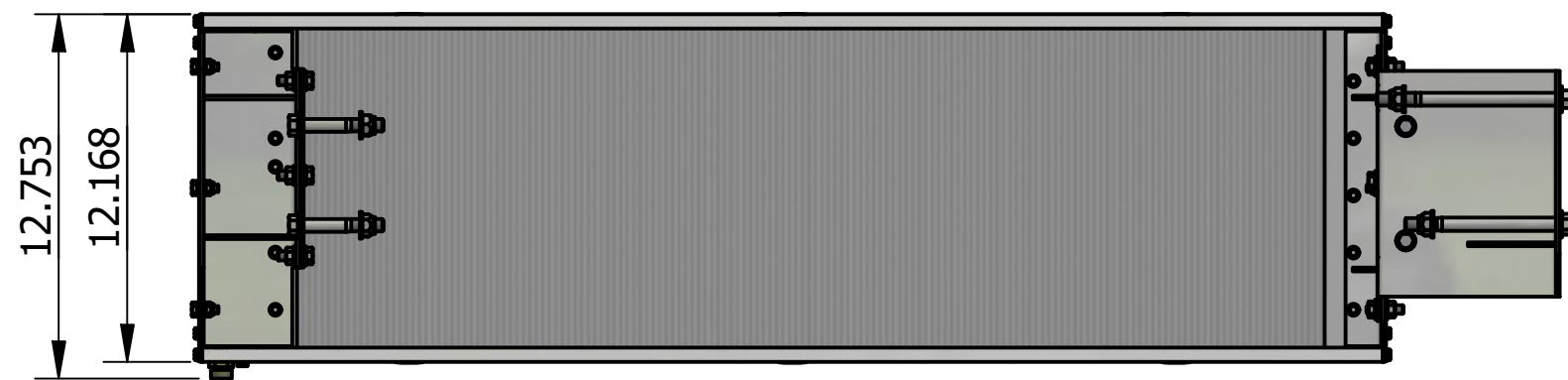


PARTS LIST - 50 001 195			
ITEM	QTY	PART NUMBER	DESCRIPTION
1	8	02 000 218	WASHER, 7/16 SAE FLAT ZINC
2	8	02 000 243	NUT, 5/16-18 NYLON LOCK
3	16	02 000 264	WASHER, 5/16 FLAT SS
4	4	02 000 279	NUT 7/16-14 NYLON LOCK
5	8	02 000 281	BOLT, 5/16-18 x 1 GRADE 5 SS
6	1	02 000 416	BOLT, 7/16-14 x 5.500"
7	1	02 000 417	BOLT, 7/16-14 x 6.500"
8	2	02 000 434	BOLT, 7/16-14 x 3.000"
9	1	06 000 753	BRKT, COND REAR SPRT LWB DW
10	1	06 000 755	BRKT, COND MNT FRT SPRT LWB DW
11	1	31 000 036	CONDENSER, 110 SORT LWB DW



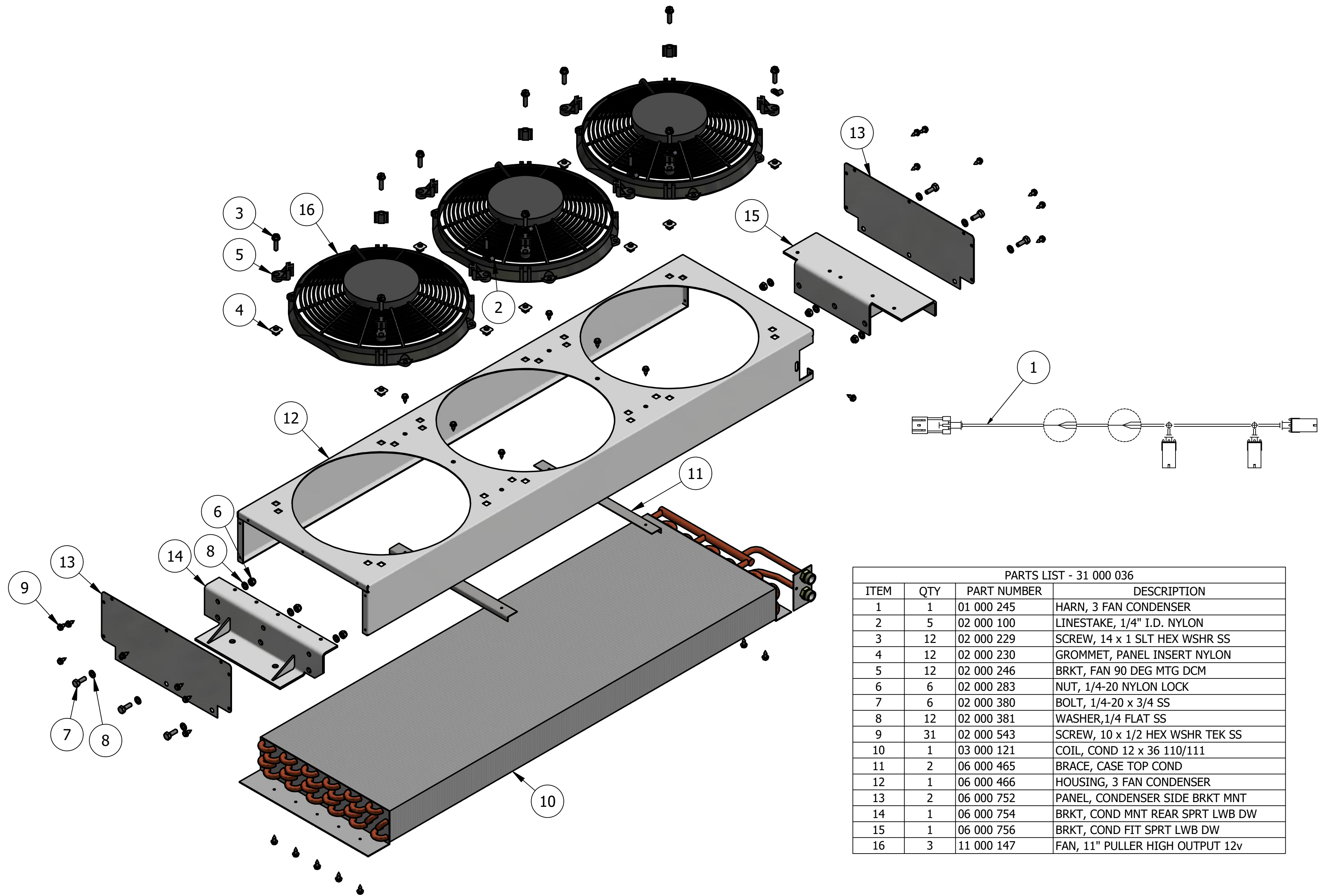
MOUNT INFO



PROPRIETARY & CONFIDENTIAL. UNPUBLISHED WORK COPYRIGHT PRO AIR LLC. PRO AIR, LLC CLAIMS PROPRIETARY RIGHTS IN THE MATERIAL DISCLOSED HEREON. NEITHER THIS DRAWING NOR ANY REPRODUCTION OR PORTION THEREOF MAY BE DISTRIBUTED OR USED TO MANUFACTURE ANYTHING SHOWN HEREON WITHOUT PERMISSION IN WRITING FROM PROAIR, LLC.

REV. A

A		18-090		RELEASED TO PRODUCTION		CEB		9/11/18		 2900 COUNTY RD 6 W ELKHART, IN 46514		TITLE:		PART NO. 50 001 195	
LET.	NO.	REVISION		BY	DATE	SIGNATURES		DATE				FRIGIKING, 110 CONDENSER		SCALE: .15 : 1	SIZE A
						DRAWN CEB		9/11/18		USAGE:		SHEET 1 OF 2			
						CHECKED RAI		9/11/18		SPRINT LWB DW					



PARTS LIST - 31 000 036			
ITEM	QTY	PART NUMBER	DESCRIPTION
1	1	01 000 245	HARN, 3 FAN CONDENSER
2	5	02 000 100	LINESTAKE, 1/4" I.D. NYLON
3	12	02 000 229	SCREW, 14 x 1 SLT HEX WSHR SS
4	12	02 000 230	GROMMET, PANEL INSERT NYLON
5	12	02 000 246	BRKT, FAN 90 DEG MTG DCM
6	6	02 000 283	NUT, 1/4-20 NYLON LOCK
7	6	02 000 380	BOLT, 1/4-20 x 3/4 SS
8	12	02 000 381	WASHER, 1/4 FLAT SS
9	31	02 000 543	SCREW, 10 x 1/2 HEX WSHR TEK SS
10	1	03 000 121	COIL, COND 12 x 36 110/111
11	2	06 000 465	BRACE, CASE TOP COND
12	1	06 000 466	HOUSING, 3 FAN CONDENSER
13	2	06 000 752	PANEL, CONDENSER SIDE BRKT MNT
14	1	06 000 754	BRKT, COND MNT REAR SPRT LWB DW
15	1	06 000 756	BRKT, COND FIT SPRT LWB DW
16	3	11 000 147	FAN, 11" PULLER HIGH OUTPUT 12v

PROPRIETARY & CONFIDENTIAL. UNPUBLISHED WORK COPYRIGHT PRO AIR LLC. PRO AIR, LLC CLAIMS PROPRIETARY RIGHTS IN THE MATERIAL DISCLOSED HEREON. NEITHER THIS DRAWING NOR ANY REPRODUCTION OR PORTION THEREOF MAY BE DISTRIBUTED OR USED TO MANUFACTURE ANYTHING SHOWN HEREON WITHOUT PERMISSION IN WRITING FROM PROAIR, LLC.

REV. A

A		18-090		RELEASED TO PRODUCTION		CEB		9/11/18		 2900 COUNTY RD 6 W ELKHART, IN 46514		TITLE:		PART NO. 50 001 195	
LET.	NO.	REVISION		BY	DATE	SIGNATURES		DATE				FRIGIKING, 110 CONDENSER		SCALE: .218 : 1	
						DRAWN CEB		9/11/18				USAGE:		SHEET 2 OF 2	
						CHECKED RAI		9/11/18				SPRINT LWB DW			
						APPROVED									