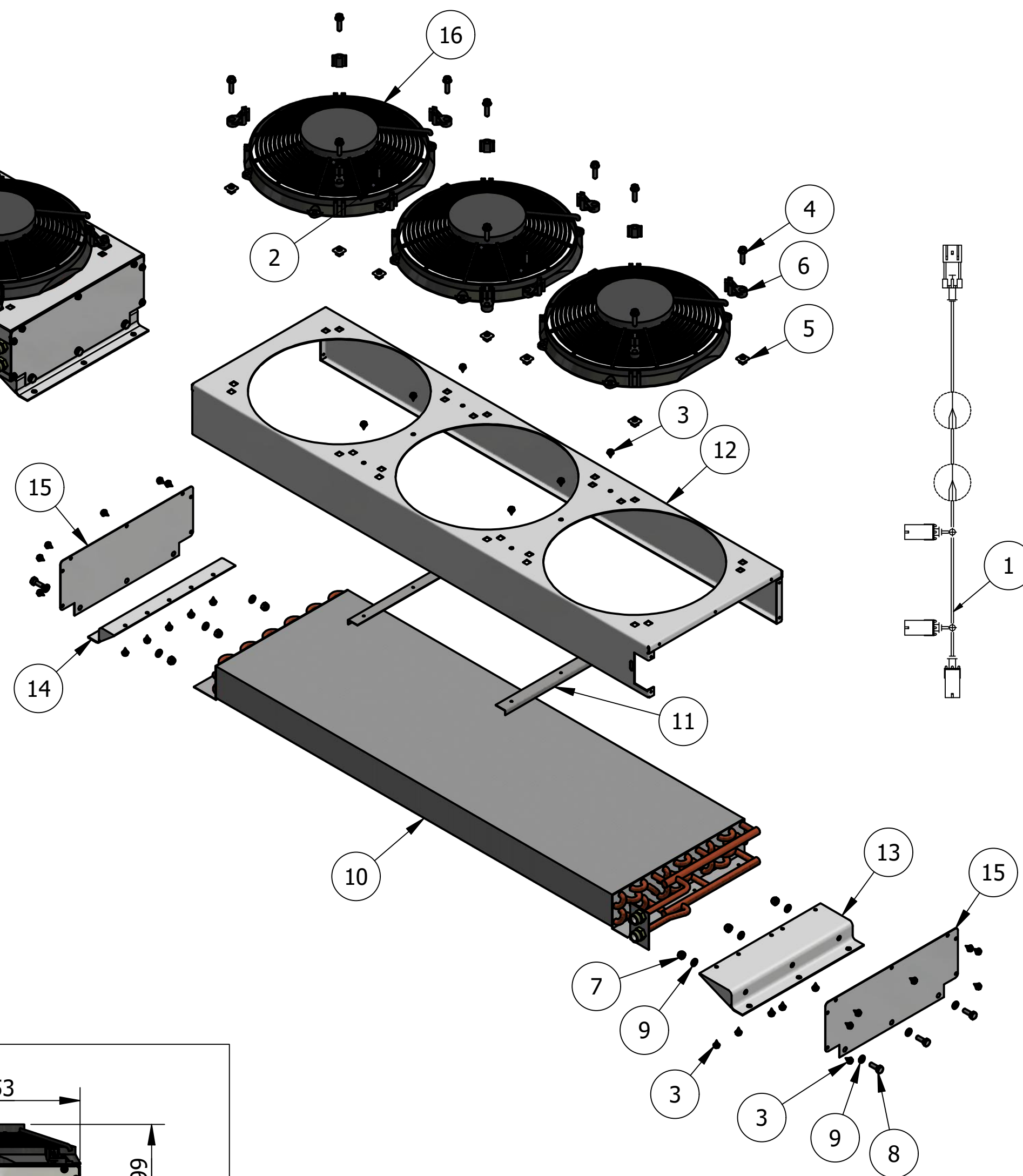
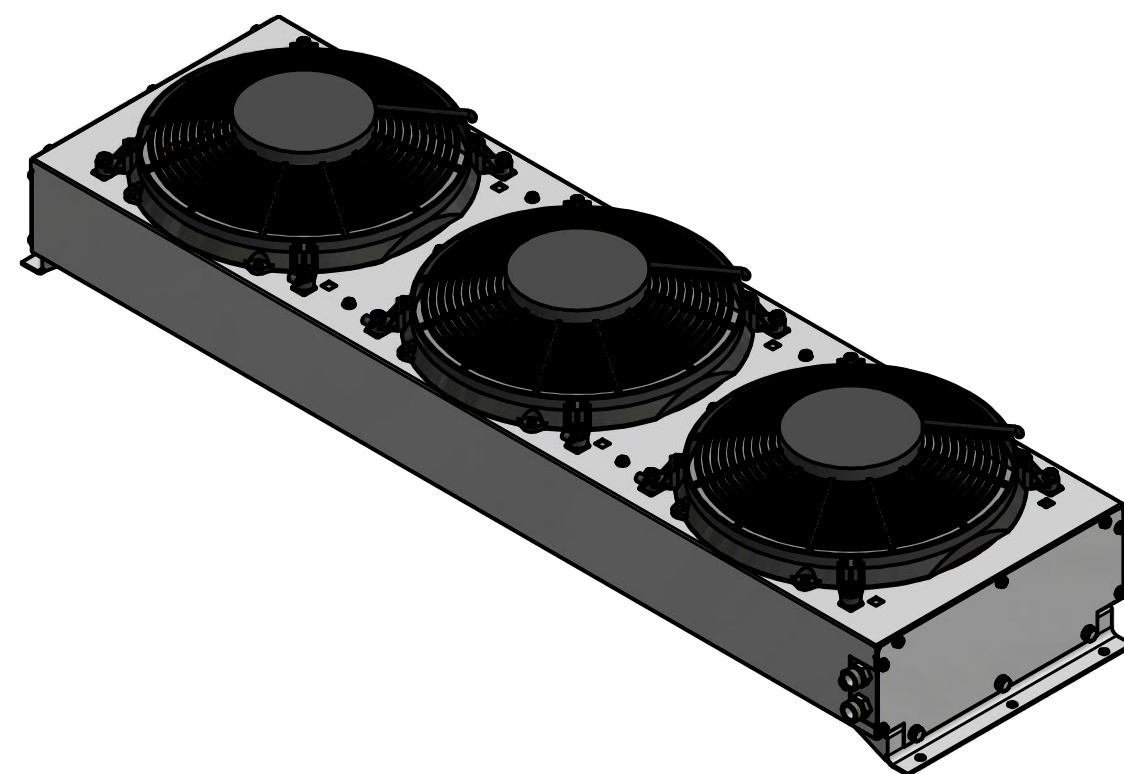
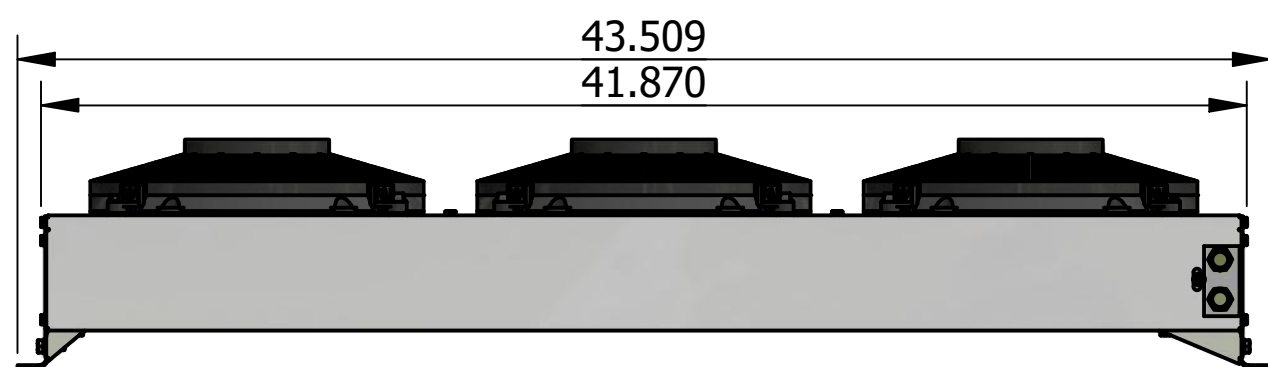
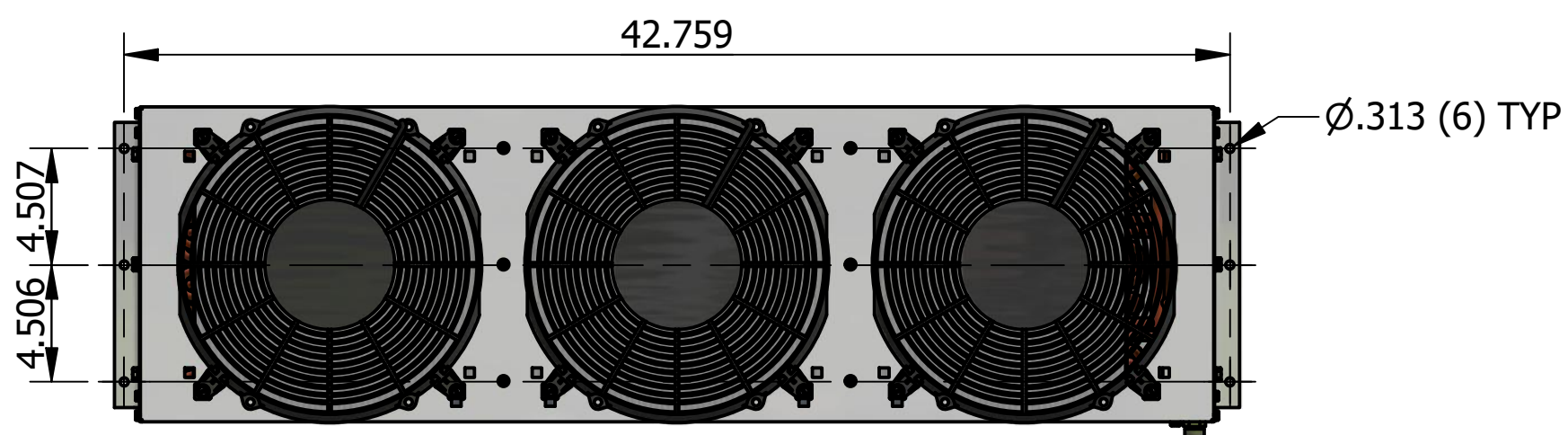


PARTS LIST			
ITEM	QTY	PART NUMBER	DESCRIPTION
1	1	01 000 245	HARN, 3 FAN CONDENSER
2	4	02 000 100	LINESTAKE, 1/4" I.D. NYLON
3	31	02 000 227	SCREW, 10 x 3/8 HEX WSHR TYPE A
4	12	02 000 229	SCREW, 14 x 1 SLT HEX WSHR SS
5	12	02 000 230	GROMMET, PANEL INSERT NYLON
6	12	02 000 246	BRKT, FAN 90 DEG MTG DCM
7	6	02 000 283	NUT, 1/4-20 NYLON LOCK
8	6	02 000 380	BOLT, 1/4-20 x 3/4 SS
9	12	02 000 381	WASHER, 1/4 FLAT SS
10	1	03 000 121	COIL, COND 12 x 36 110/111
11	2	06 000 465	BRACE, CASE TOP COND
12	1	06 000 466	HOUSING, 3 FAN CONDENSER
13	1	06 000 467	BRKT, LS 111 COND MOUNT
14	1	06 000 468	BRKT, RS 111 COND MOUNT
15	2	06 000 752	PANEL, CONDENSER SIDE BRKT MNT
16	3	11 000 147	FAN, 11" PULLER HIGH OUTPUT 12v

PART NO. 31 000 091



MOUNT INFO



#8 M.I.O. 3/4"-16
(2) TYP

PROPRIETARY & CONFIDENTIAL. UNPUBLISHED WORK COPYRIGHT PRO AIR LLC. PRO AIR, LLC CLAIMS PROPRIETARY RIGHTS IN THE MATERIAL DISCLOSED HEREON. NEITHER THIS DRAWING NOR ANY REPRODUCTION OR PORTION THEREOF MAY BE DISTRIBUTED OR USED TO MANUFACTURE ANYTHING SHOWN HEREON WITHOUT PERMISSION IN WRITING FROM PROAIR, LLC.

REV. A

A		18-090		RELEASED TO PRODUCTION		CEB		9/11/18		 2900 COUNTY RD 6 W ELKHART, IN 46514		TITLE:		PART NO. 31 000 091	
LET.	NO.	REVISION		BY	DATE	SIGNATURES		DATE				FRIGGING, 110FL COND		SCALE: .15 : 1	SIZE A
						DRAWN CEB		9/11/18		USAGE:		FL ALL		SHEET 1 OF 1	
						CHECKED RAI		9/11/18							
						APPROVED									