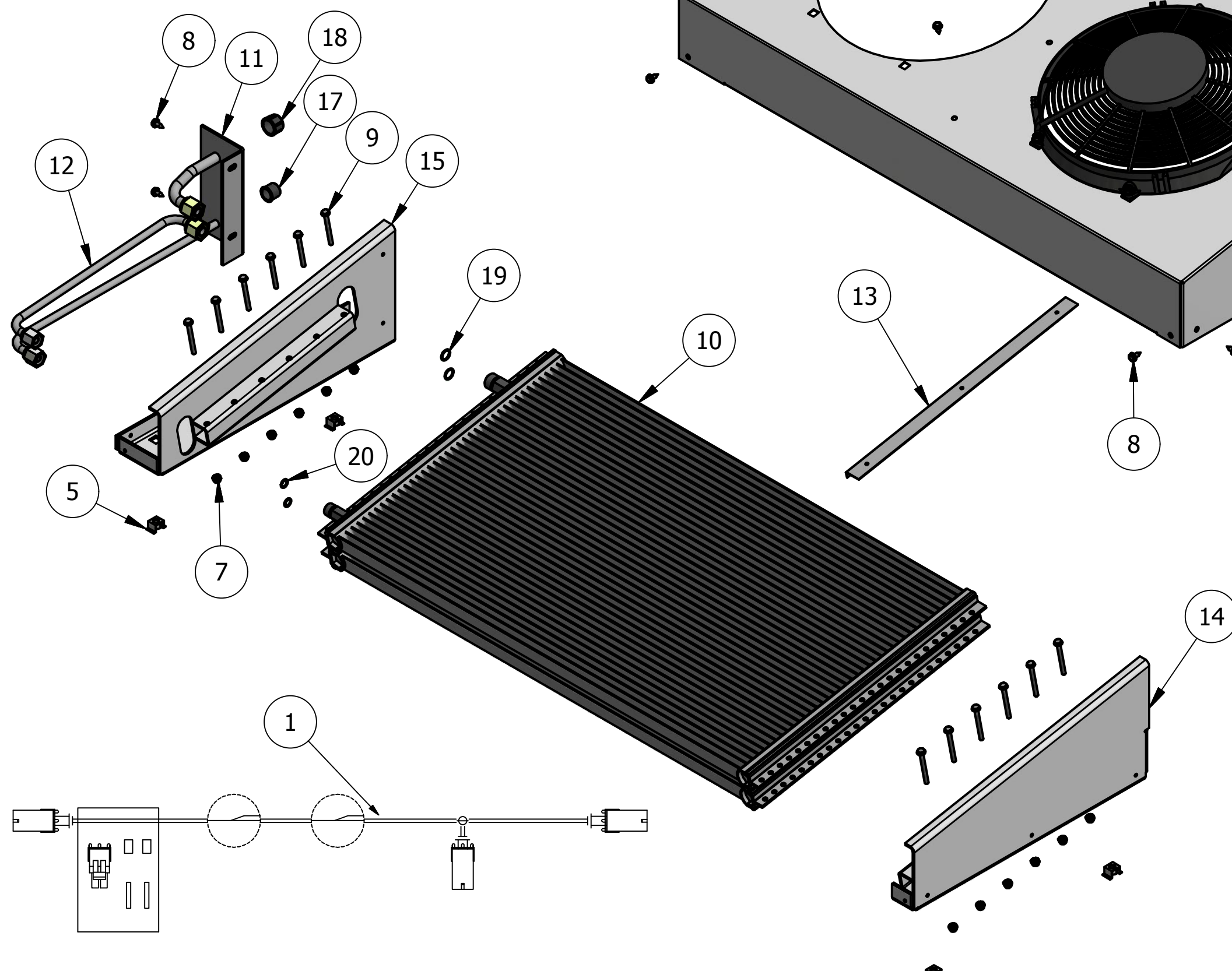
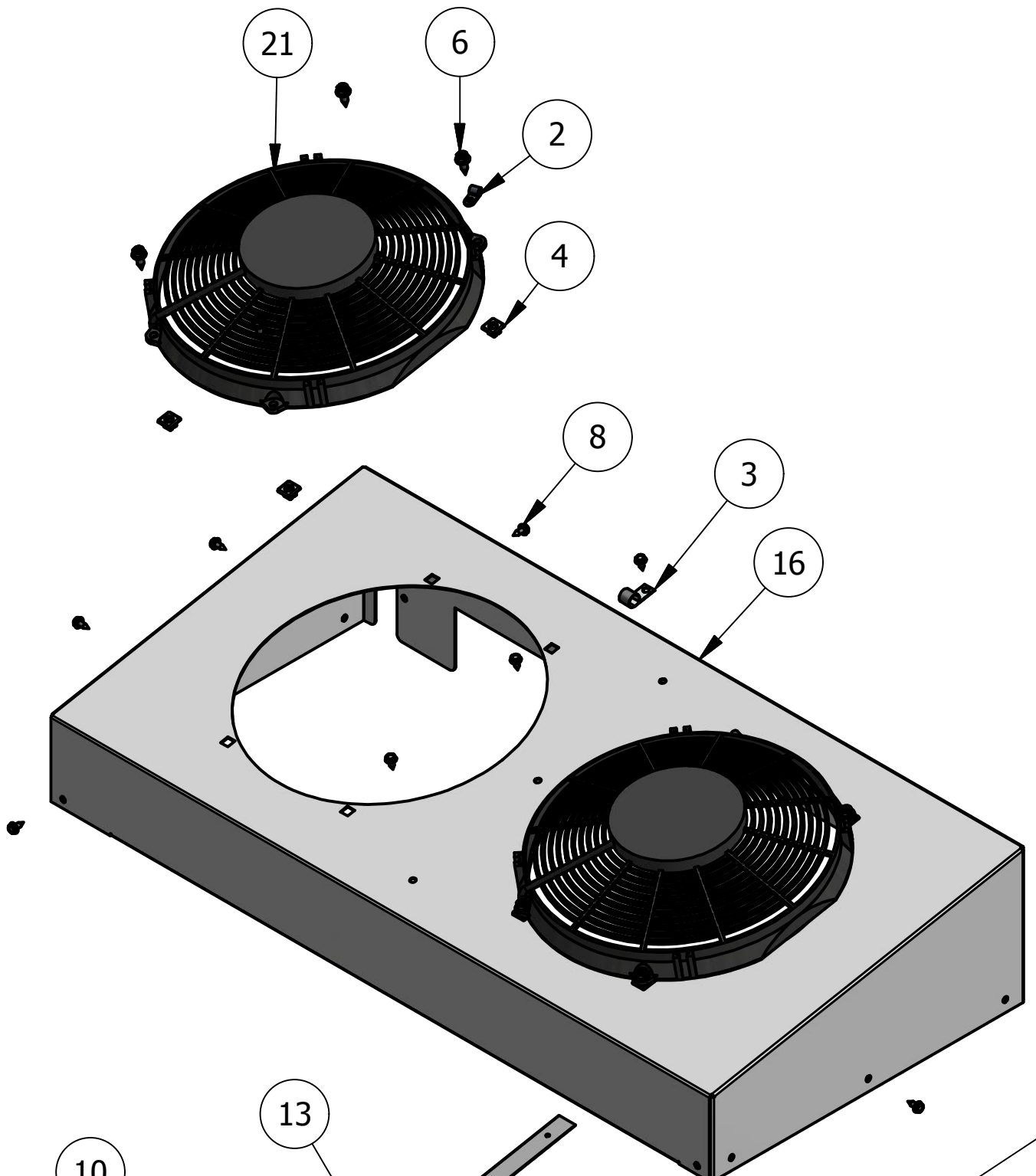
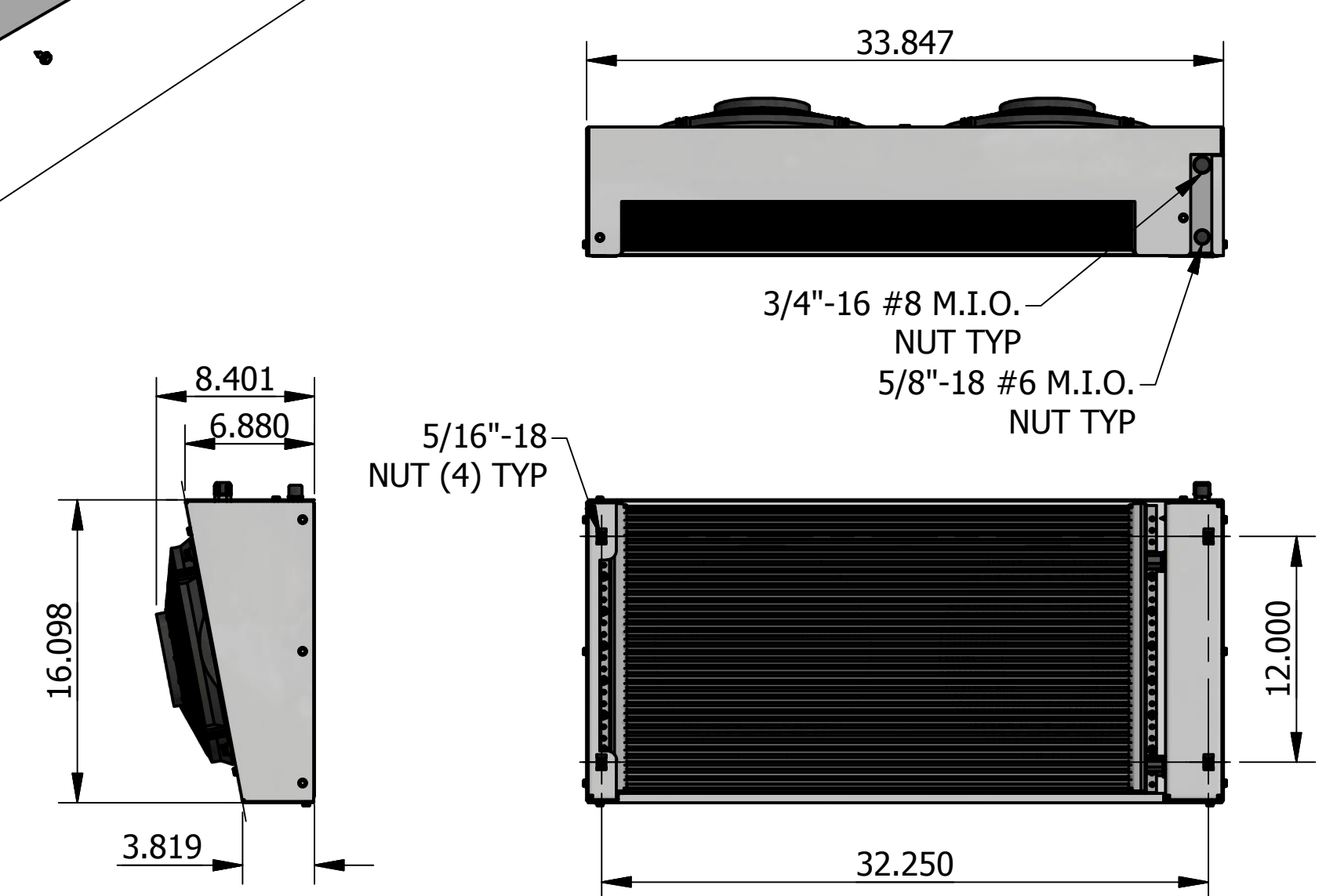


PARTS LIST			
ITEM	QTY	PART NUMBER	DESCRIPTION
1	1	01 000 272	HARN, 2 FAN CONDENSER
2	2	02 000 100	LINESTAKE, 1/4" I.D. NYLON
3	1	02 000 203	LINESTAKE, 1/2" I.D.
4	8	02 000 230	GROMMET, PANEL INSERT NYLON
5	4	02 000 269	RETAINER, 5/16-18 NUT
6	8	02 000 398	SCREW, 14 x 3/4 SLT HEX WSHR SS
7	12	02 000 453	NUT, 10-24 NYLON LOCK
8	15	02 000 543	SCREW, 10 x 1/2 HEX WSHR TEK SS
9	12	02 000 690	BOLT, 10-24 x 2" HEX WSHR SS
10	2	03 000 207	COIL, CONDENSOR
11	1	05 001 173	TUBE ASSY, 206C FL COND
12	1	05 001 174	TUBE ASSY, 206C BYPASS
13	1	06 000 323	BRACE, CASE TOP 106
14	1	06 001 758	BRKT, LFT SIDE ANGLED-206 COND
15	1	06 001 759	BRKT, RHT SIDE ANGLED-206 COND
16	1	06 001 760	BRKT, ANGLED HOUS. CVR-206 COND
17	1	07 000 545	CAP, #6 PLAST. 5/8-18 W/SEAL, B
18	1	07 000 546	CAP, #8 PLAST. 3/4-16 W/SEAL, B
19	2	08 000 008	O-RING, #8 13/32
20	2	08 000 009	O-RING, #6 5/16
21	2	11 000 147	FAN, 11" PULLER HIGH OUTPUT 12v



**MOUNT INFO**



PROPRIETARY & CONFIDENTIAL. UNPUBLISHED WORK COPYRIGHT PRO AIR LLC. PRO AIR, LLC CLAIMS PROPRIETARY RIGHTS IN THE MATERIAL DISCLOSED HEREON. NEITHER THIS DRAWING NOR ANY REPRODUCTION OR PORTION THEREOF MAY BE DISTRIBUTED OR USED TO MANUFACTURE ANYTHING SHOWN HEREON WITHOUT PERMISSION IN WRITING FROM PROAIR, LLC.

REV. A

A		18-090		RELEASED TO PRODUCTION		CEB		3/28/18		 2900 COUNTY RD 6 W ELKHART, IN 46514		TITLE:		PART NO. 31 000 111	
LET.		NO.		REVISION		BY		DATE				APPROVED		CONDENSER, 206 ANGLED DUEL INLINE	
										USAGE:		ALL		SHEET 1 OF 1	