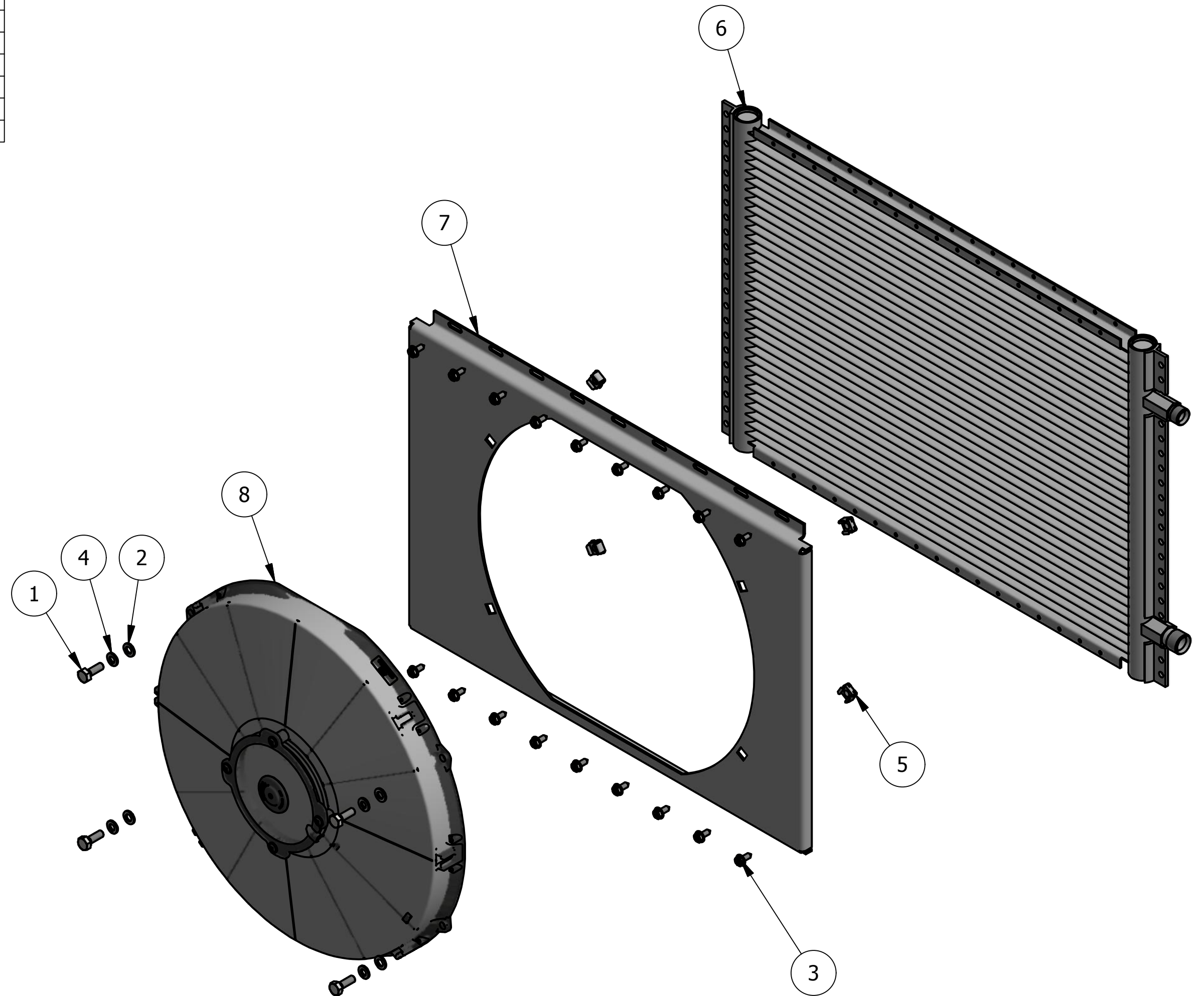
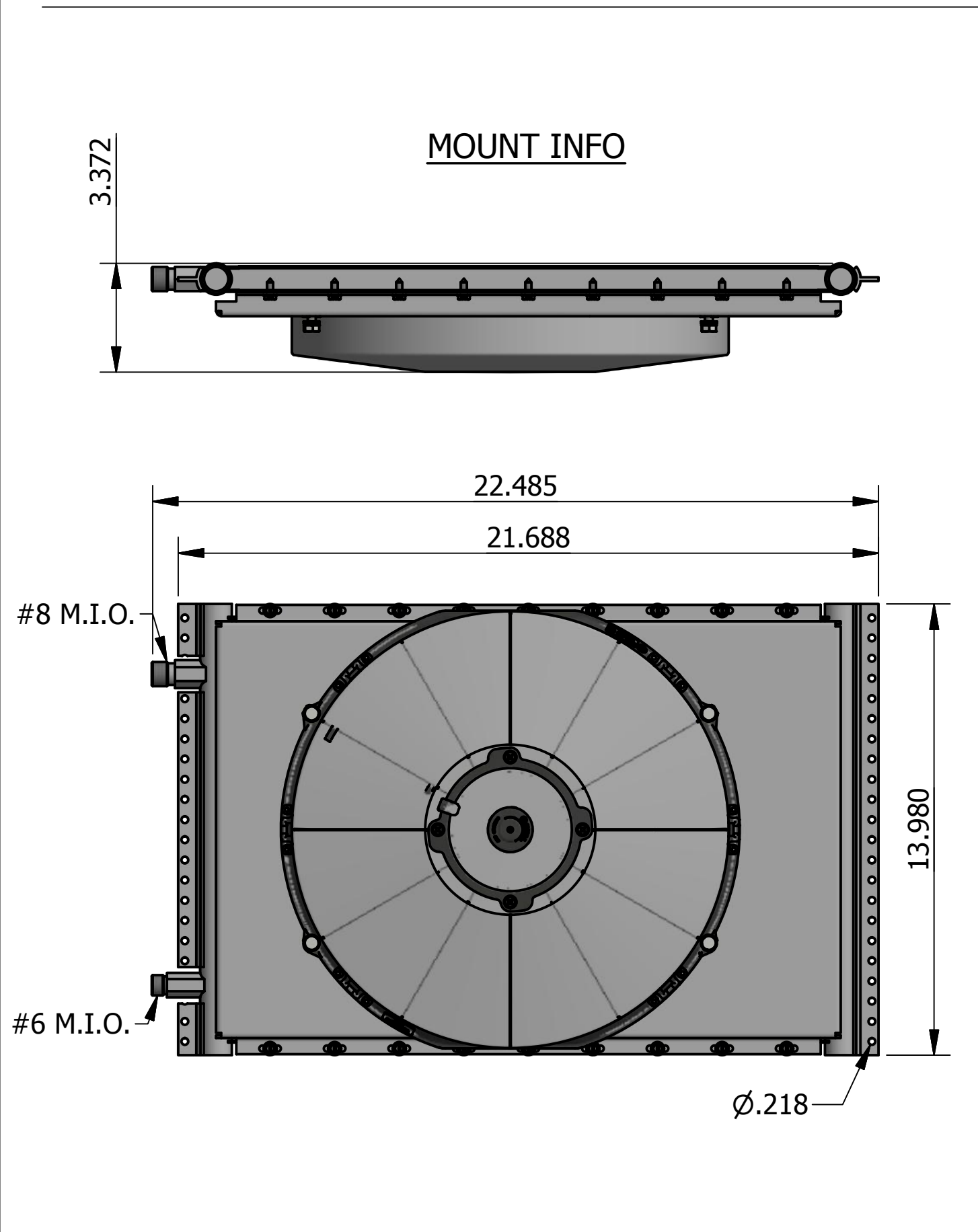


PARTS LIST			
ITEM	QTY	PART NUMBER	DESCRIPTION
1	4	02 000 380	BOLT, 1/4-20 x 3/4 SS
2	4	02 000 381	WASHER, 1/4 FLAT SS
3	18	02 000 418	SCREW, 10x1/2 HEX WSHR TYPE AB
4	4	02 000 537	WASHER, 1/4 LOCK ZINC
5	4	02 000 729	NUT, CAGE 1/4-20, .025 TO .063
6	1	03 000 187	COIL, COND 14 x 22 H/C-TIE
7	1	06 002 033	SHROUD, 14" FAN MOUNT
8	1	11 000 275	FAN, 14" AXIAL PULLER



PROPRIETARY & CONFIDENTIAL. UNPUBLISHED WORK COPYRIGHT PRO AIR LLC. PRO AIR, LLC CLAIMS PROPRIETARY RIGHTS IN THE MATERIAL DISCLOSED HEREON. NEITHER THIS DRAWING NOR ANY REPRODUCTION OR PORTION THEREOF MAY BE DISTRIBUTED OR USED TO MANUFACTURE ANYTHING SHOWN HEREON WITHOUT PERMISSION IN WRITING FROM PROAIR, LLC.

REV. 1

A		17-242		RELEASED TO PRODUCTION		CEB		10/18/17		<p>2900 COUNTY RD 6 W ELKHART, IN 46514</p>	TITLE: COND ASSY, 14" x 22" w/14" FAN		PART NO. 31 000 126	
LET.	NO.	REVISION		BY	DATE	SIGNATURES		DATE			USAGE: X	SCALE: .3 : 1	SIZE A	
						DRAWN CEB	10/18/17	CHECKED RAI	10/18/17				SHEET 1 OF 1	