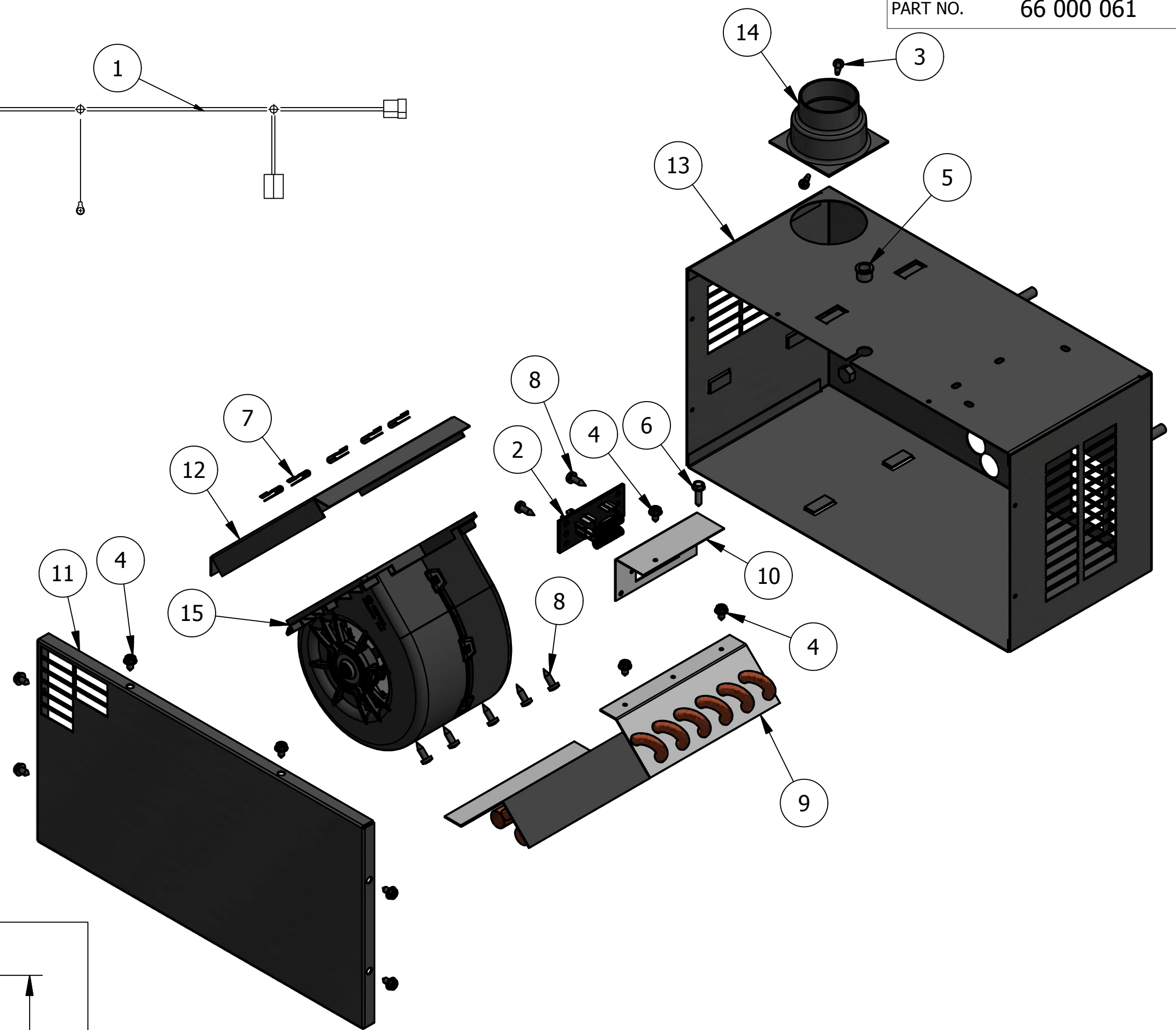
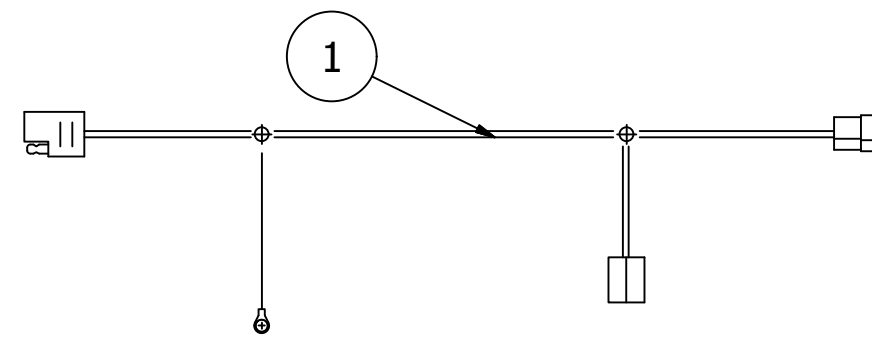
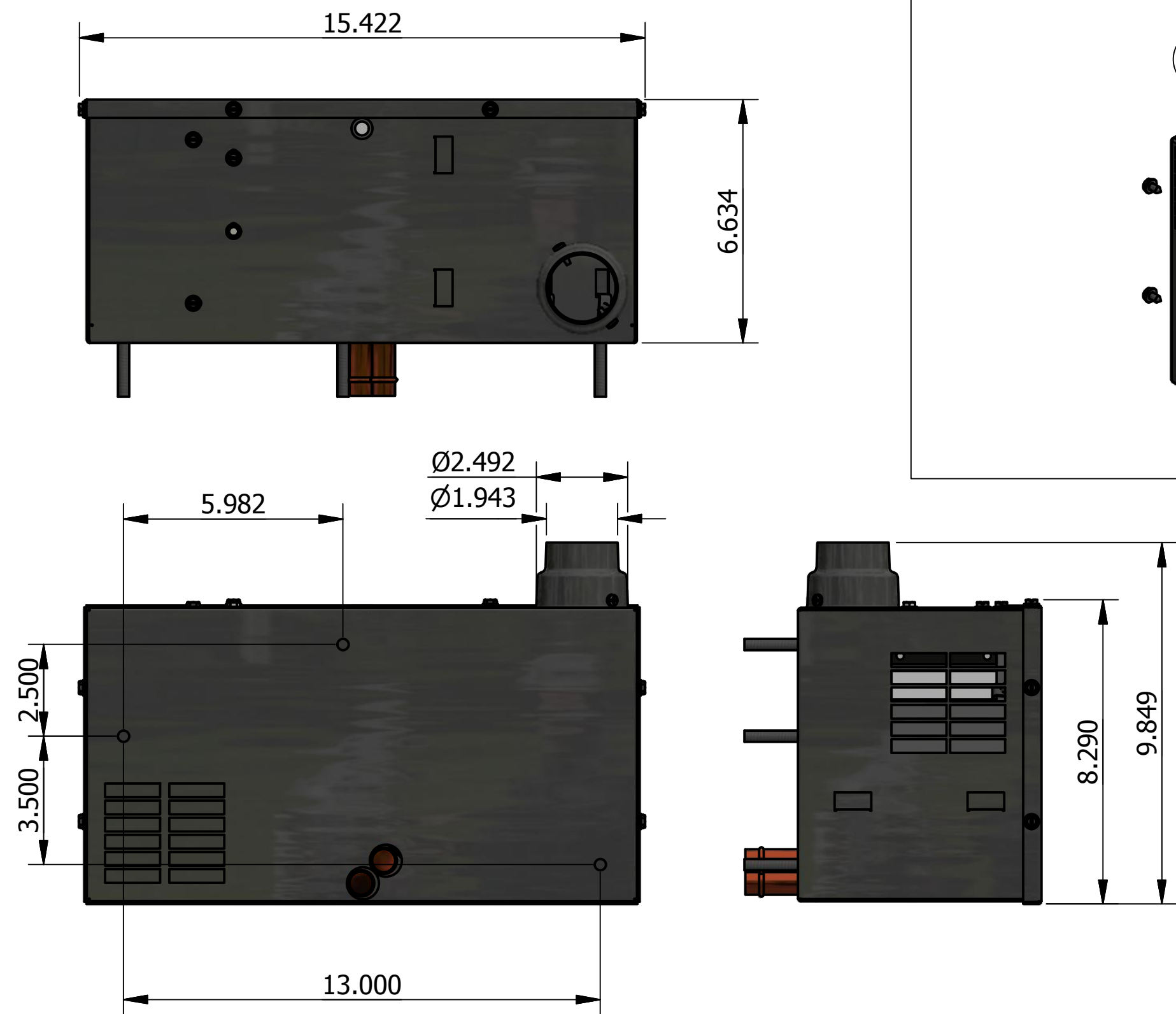


PARTS LIST			
ITEM	QTY	PART NUMBER	DESCRIPTION
1	1	01 000 087	HARN, RESISTOR
2	1	01 000 091	RESISTOR, BLOWER AT/MM
3	2	02 000 028	SCREW, 8 x 1/2 PH PHIL BLK (SELF
4	9	02 000 051	SCREW, 10x3/8 HEX WSHR TYPE-AB
5	1	02 000 055	GROMMET, 3/8" ID 1/2" OD
6	1	02 000 075	SCREW, 10x3/4 HEX WSHR TEK ZINC
7	5	02 000 106	SPEED CLIP, #10
8	7	02 000 117	SCREW 10 x 5/8 PH PHIL BLK
9	1	03 000 079	COIL, HEAT 425
10	1	06 000 305	BRKT, RESISTOR ATII
11	1	06 000 328	CASE, FRONT 425
12	1	06 000 329	MOUNT, MTR 425
13	1	06 000 330	HOUSING, 425
14	1	07 000 432	ADAP, HOSE 2" - 2.5"
15	1	11 000 074	MOTOR, BLWR ASS'Y AT

PART NO. 66 000 061



MOUNT INFO



PROPRIETARY & CONFIDENTIAL. UNPUBLISHED WORK COPYRIGHT PRO AIR LLC. PRO AIR, LLC CLAIMS PROPRIETARY RIGHTS IN THE MATERIAL DISCLOSED HEREON. NEITHER THIS DRAWING NOR ANY REPRODUCTION OR PORTION THEREOF MAY BE DISTRIBUTED OR USED TO MANUFACTURE ANYTHING SHOWN HEREON WITHOUT PERMISSION IN WRITING FROM PROAIR, LLC.

REV. A

A		18-001		RELEASED TO PRODUCTION		CEB		3/5/18		 2900 COUNTY RD 6 W ELKHART, IN 46514		TITLE:		PART NO. 66 000 061	
LET.		NO.		REVISION		BY		DATE				APPROVED		HEATER, CAB	
												USAGE:		SHEET 1 OF 1	
												425			