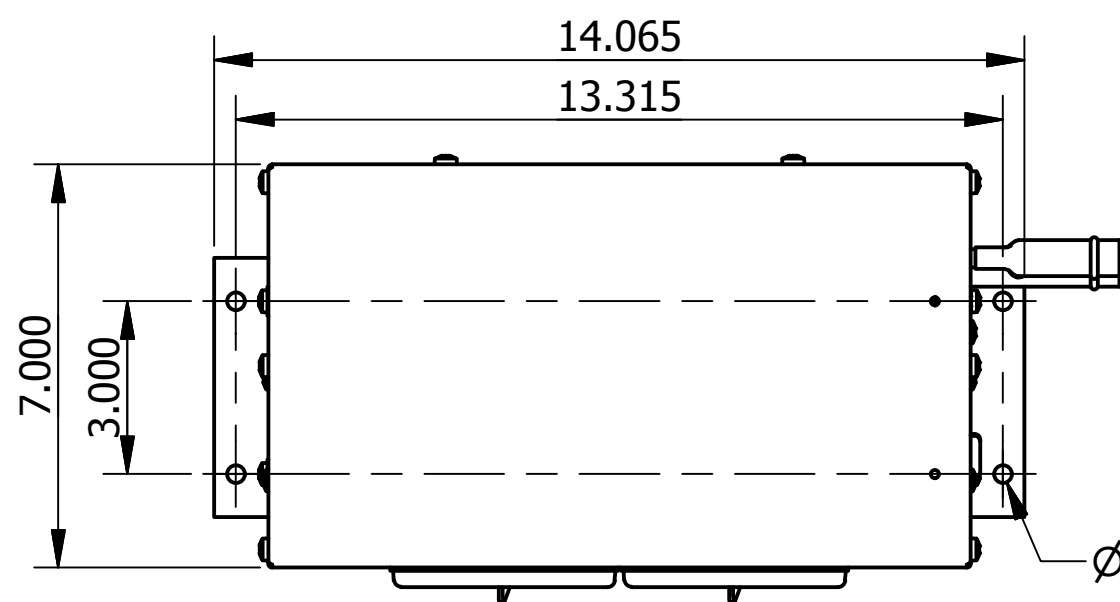


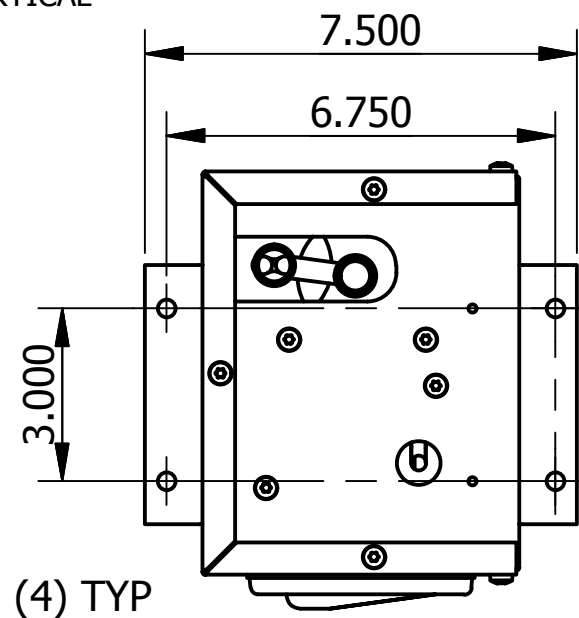
PARTS LIST			
ITEM	QTY	PART NUMBER	DESCRIPTION
1	1	01 000 423	RESISTOR, SPAL BLOWER
2	1	01 000 710	HARN, BLOWER 3 SPEED 24"
3	4	02 000 030	SCREW, 6 x 3/8 FH PHIL ZINC
4	1	02 000 071	GROMMET, STRAIN RELIEF 5/8 OD
5	3	02 000 091	NUT, 1/4-20 x SER/FLG LOCK
6	2	02 000 106	SPEED CLIP, #10
7	24	02 000 163	SCREW,10-24 x 5/8 TYPE 23 THDCU
8	8	02 000 169	WASHER, #10 ZINC
9	2	02 000 227	SCREW, 10 x 3/8 HEX WSHR TYPE A
10	3	02 000 381	WASHER,1/4 FLAT SS
11	2	02 000 444	SCREW, 4 x 3/8 PHIL PAN HEAD
12	3	02 000 453	NUT, 10-24 NYLON LOCK
13	2	02 000 503	SPACER, NYLON 1/2" OD x 1/2" LG
14	1	03 000 055	COIL, HEAT
15	4	06 000 044	BRKT, 1 X 1 3/16 X 4 1/2 OPT
16	1	06 000 817	BRKT, FUSE HOLDER
17	1	06 001 414	CASE, HEATER BOTTOM
18	1	06 001 415	CASE, HEATER BOTTOM
19	1	06 001 416	PLATE, FAN MTG
20	1	06 001 417	BRKT, COIL SUPPORT - TUBE END
21	1	06 001 418	BRKT, COIL SUPPORT
22	2	08 000 029	SEAL, DR NIPPLE PWR PAK
23	2	11 000 225	LOUVER,4" SONORA GRILLE W/MTRET
24	1	15 000 012	FAN, 5" PUSHER W/FUSE 422 HTR

MOUNT INFO

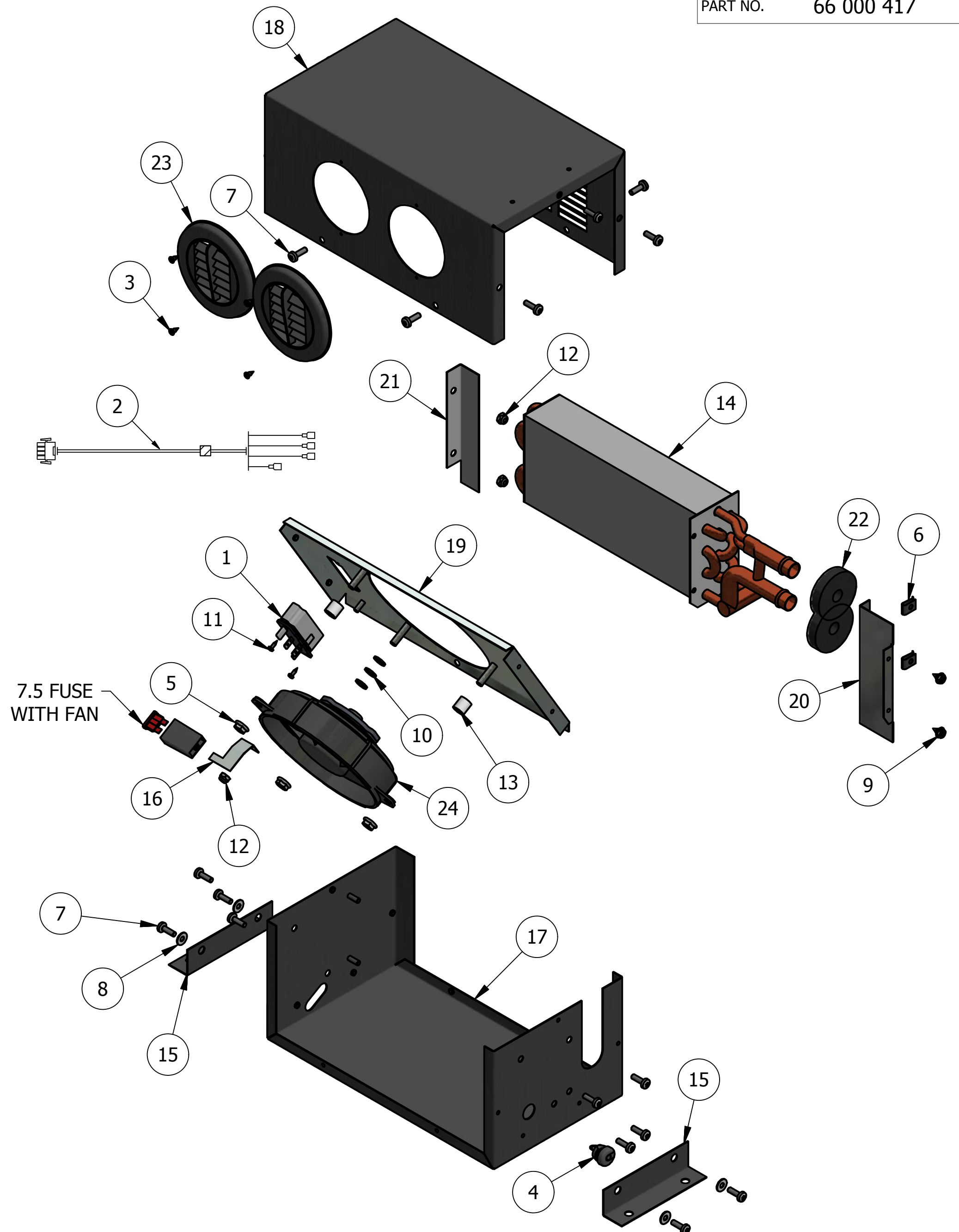
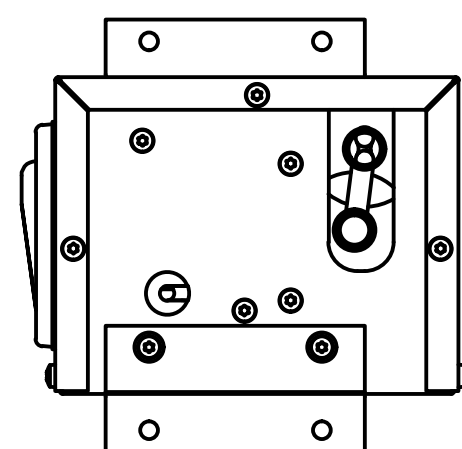
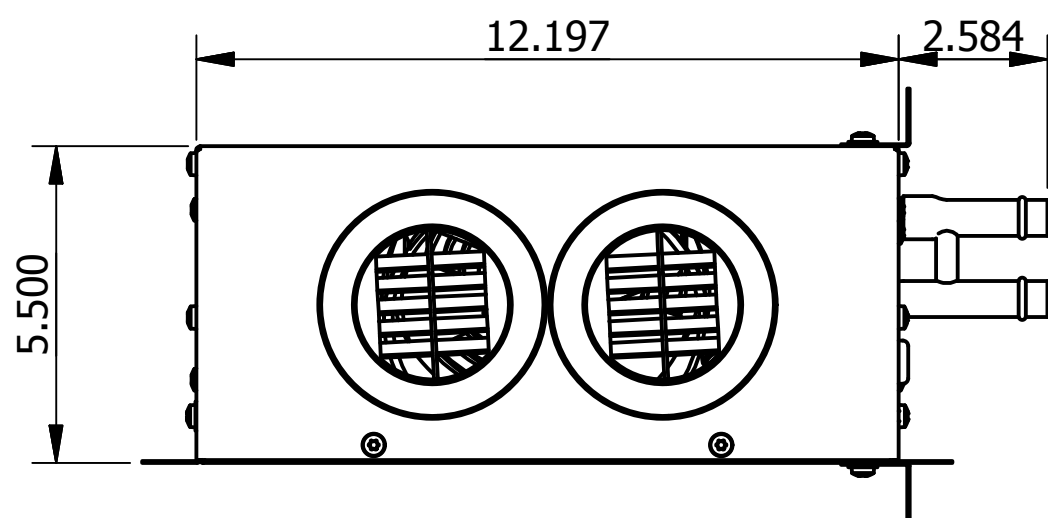
BRKT CAN MOUNT HORIZONTAL OR VERTICAL



HORIZONTAL MOUNT



VERTICAL MOUNT



PROPRIETARY & CONFIDENTIAL. UNPUBLISHED WORK COPYRIGHT PRO AIR LLC. PRO AIR, LLC CLAIMS PROPRIETARY RIGHTS IN THE MATERIAL DISCLOSED HEREON. NEITHER THIS DRAWING NOR ANY REPRODUCTION OR PORTION THEREOF MAY BE DISTRIBUTED OR USED TO MANUFACTURE ANYTHING SHOWN HEREON WITHOUT PERMISSION IN WRITING FROM PROAIR, LLC.

REV. A

A	18-001	RELEASED TO PRODUCTION	CEB	3/16/18				TITLE:	PART NO. 66 000 417
								HEATER 428	SCALE: .3 : 1
LET.	NO.	REVISION	BY	DATE	APPROVED		2900 COUNTY RD 6 W ELKHART, IN 46514	USAGE:	SIZE A
								ALL	SHEET 1 OF 1