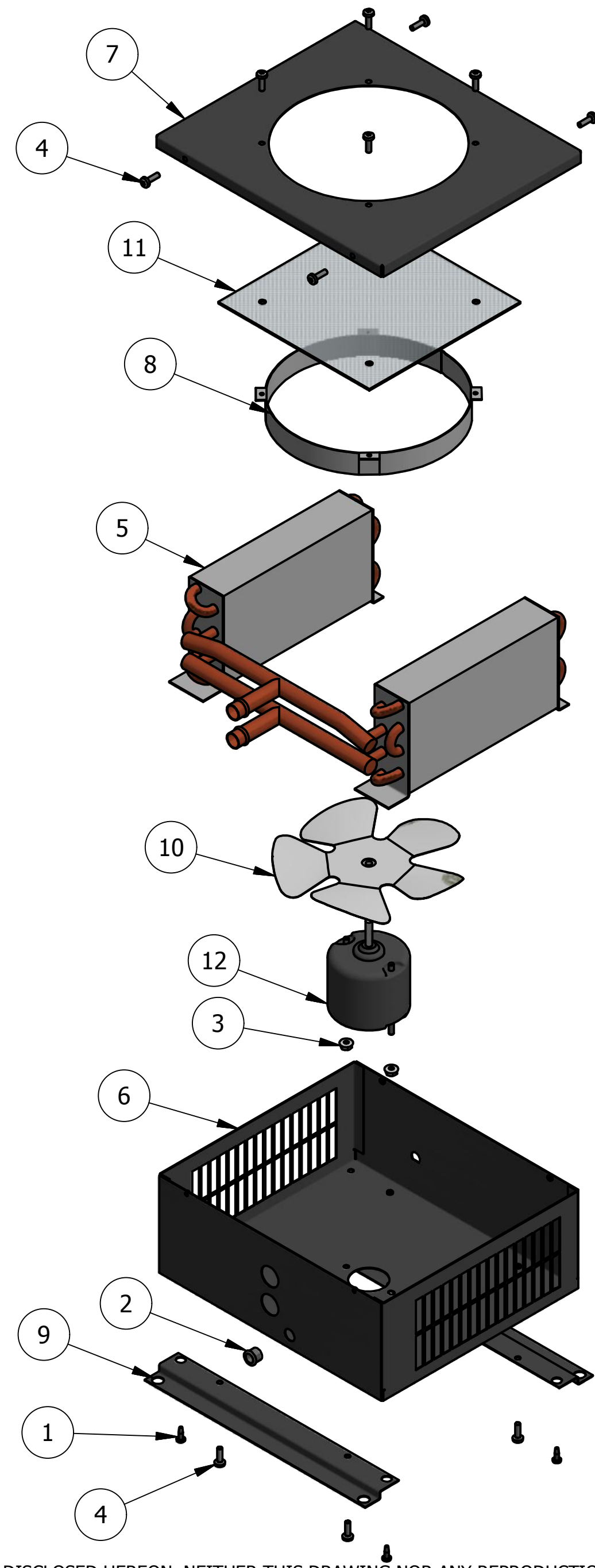
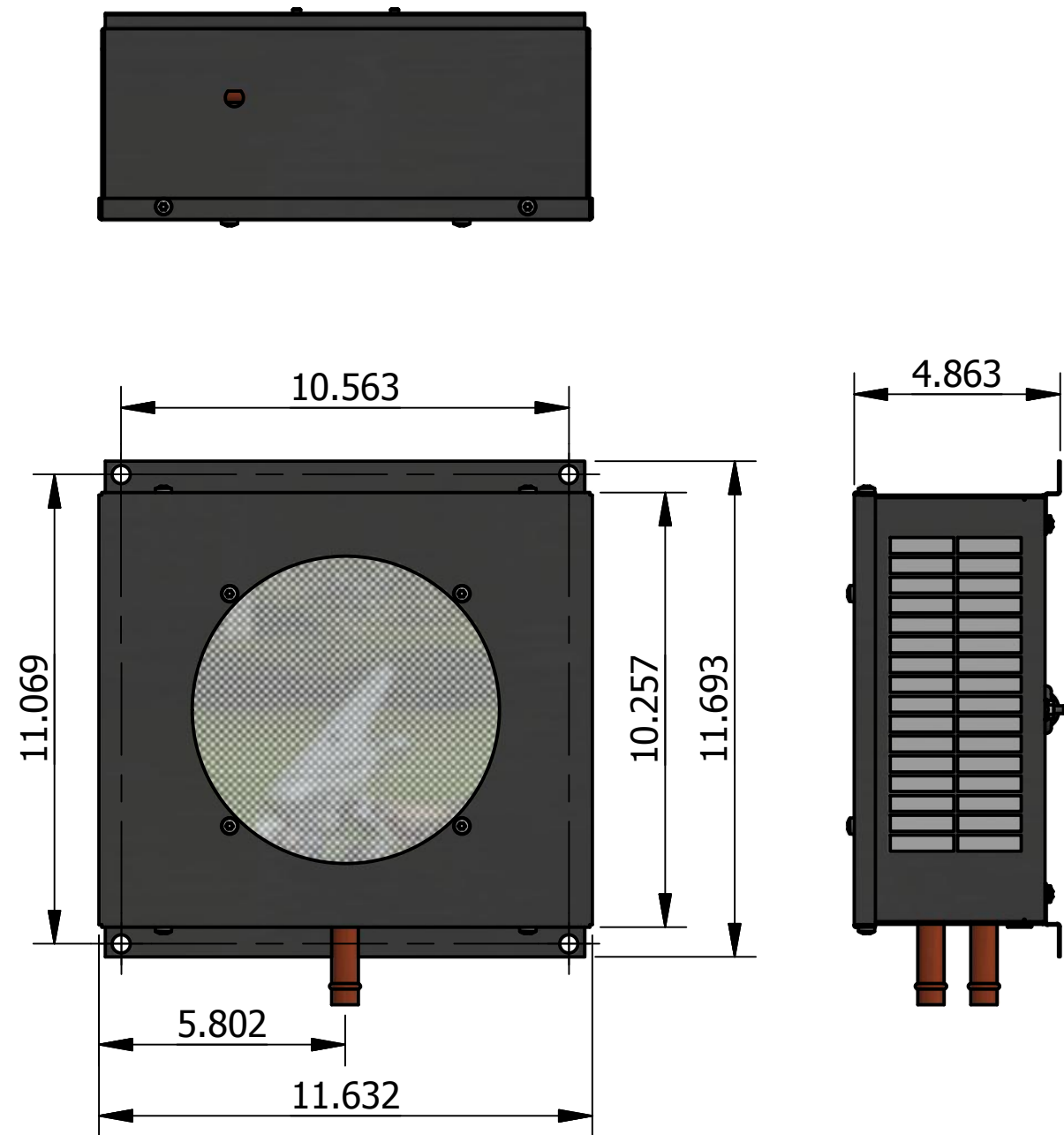


PARTS LIST			
ITEM	QTY	PART NUMBER	DESCRIPTION
1	4	02 000 028	SCREW, 8 x 1/2 PH PHIL BLK (SELF
2	1	02 000 055	GROMMET, 3/8" ID 1/2" OD
3	2	02 000 159	NUT, 10-32 SCR/FLG LOCK
4	12	02 000 163	SCREW, 10-24 x 5/8 TYPE 23 THDCU
5	1	03 000 057	COIL, HTR 432
6	1	06 000 258	CASE, BOTTOM 432 HEATER
7	1	06 000 259	CASE, TOP 432 HEATER
8	1	06 000 260	RING, VENTURI 432 HEATER
9	2	06 000 261	BRKT, MTG 432 HEATER
10	1	11 000 126	FAN, 7" BLADE HUB DISCHARGE
11	1	15 000 001	SCREEN, INLET 7 3/4 x 7 3/4 BLK
12	1	68 000 004	MOTOR ASSY, 432 HTR W/O SWITCH

PART NO. 66 000 079

**MOUNT INFO**



PROPRIETARY & CONFIDENTIAL. UNPUBLISHED WORK COPYRIGHT PRO AIR LLC. PRO AIR, LLC CLAIMS PROPRIETARY RIGHTS IN THE MATERIAL DISCLOSED HEREON. NEITHER THIS DRAWING NOR ANY REPRODUCTION OR PORTION THEREOF MAY BE DISTRIBUTED OR USED TO MANUFACTURE ANYTHING SHOWN HEREON WITHOUT PERMISSION IN WRITING FROM PROAIR, LLC.

REV. A

A	18-001	RELEASED TO PRODUCTION	CEB	2/5/18		TITLE: HEATER, WALL MOUNT USAGE: 432	PART NO. 66 000 079
							SCALE: .25 : 1
LET. NO.	NO.	REVISION	BY	DATE	2900 COUNTY RD 6 W ELKHART, IN 46514		SHEET 1 OF 1