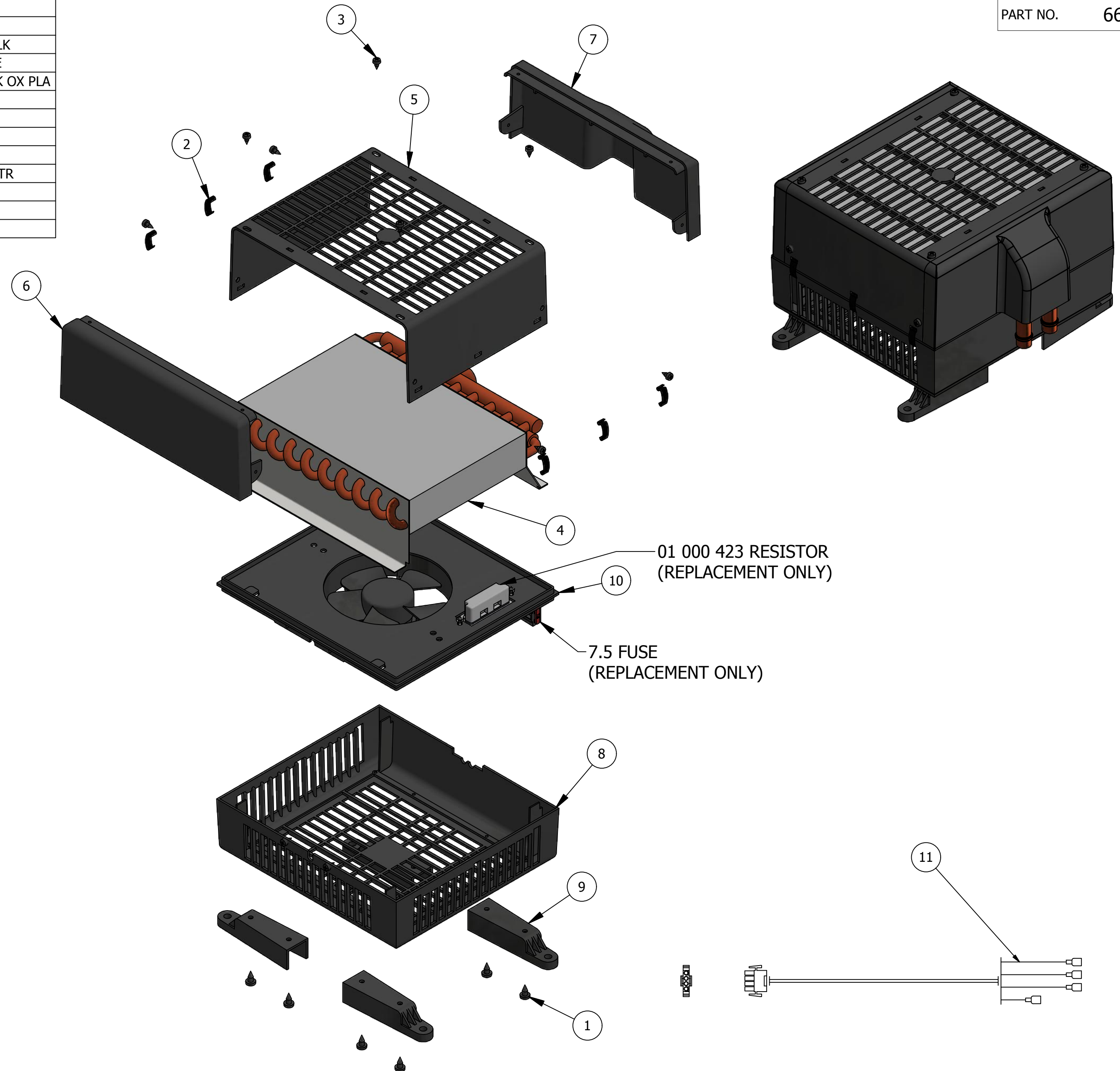
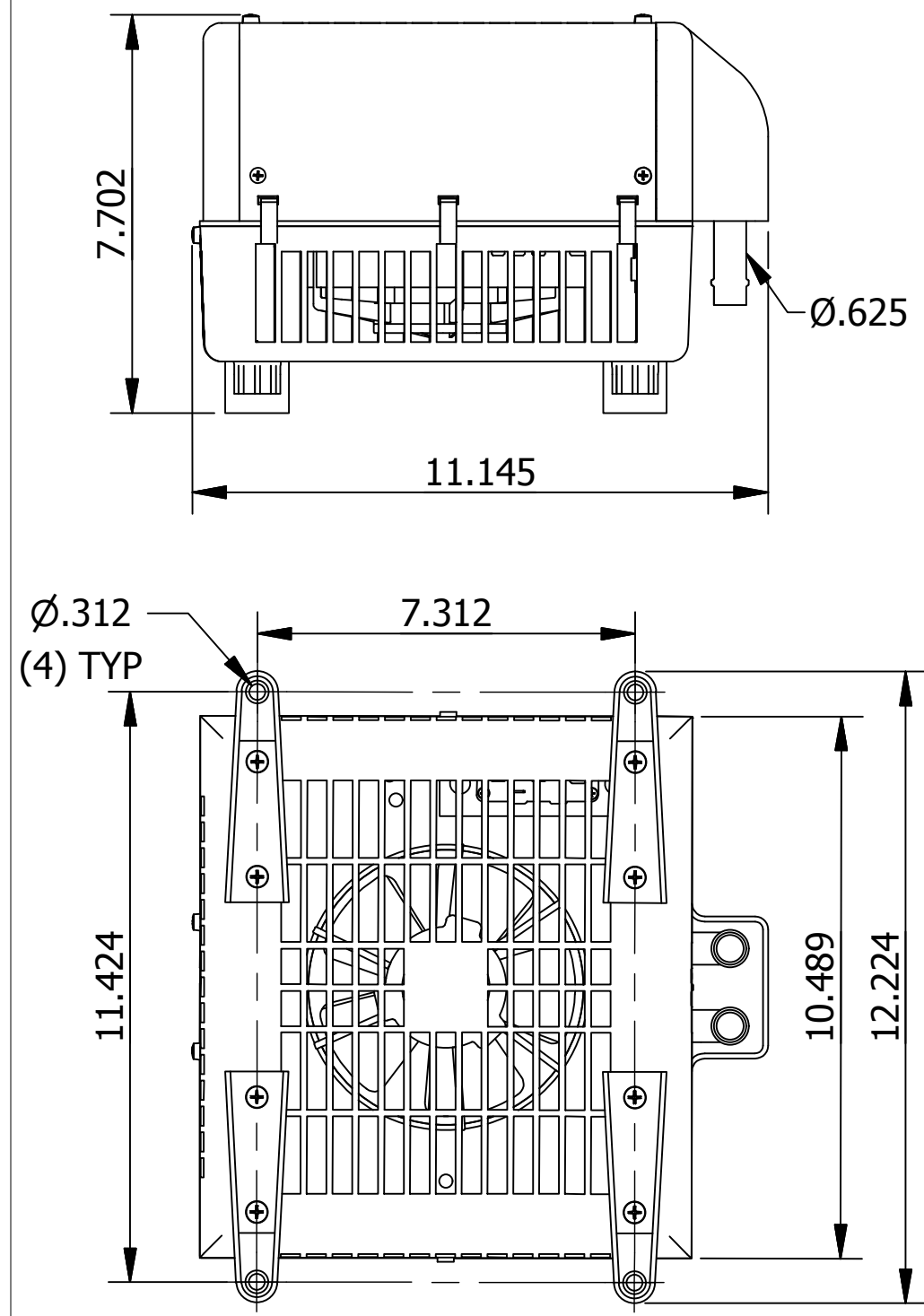


PARTS LIST			
ITEM	QTY	PART NUMBER	DESCRIPTION
1	8	02 000 107	SCREW, 10 x 1/2 PH PHIL BLK
2	6	02 000 122	CLIP, HOUSING AT INJ CASE
3	10	02 000 233	SCREW, 8 x 3/8 PHIL PH BLK OX PLA
4	1	03 000 072	COIL, HEATER 435
5	1	07 000 413	CASE, TOP HEATER
6	1	07 000 415	CAP, END BLANK
7	1	07 000 416	CAP, END - TUBE END
8	1	07 000 524	CASE, BOTTOM-LOW PRO HTR
9	4	07 000 567	BRKT, BOTTOM LEG MOUNT
10	1	11 000 280	FAN ASSY, 5" WITH RES
11	1	01 000 427	HARN, HEATER 3 SPEED



MOUNT INFO



PROPRIETARY & CONFIDENTIAL. UNPUBLISHED WORK COPYRIGHT PRO AIR LLC. PRO AIR, LLC CLAIMS PROPRIETARY RIGHTS IN THE MATERIAL DISCLOSED HEREON. NEITHER THIS DRAWING NOR ANY REPRODUCTION OR PORTION THEREOF MAY BE DISTRIBUTED OR USED TO MANUFACTURE ANYTHING SHOWN HEREON WITHOUT PERMISSION IN WRITING FROM PROAIR, LLC.

REV. A

A		18-001		RELEASED TO PRODUCTION		CEB		2/5/18		 2900 COUNTY RD 6 W ELKHART, IN 46514		TITLE:		PART NO. 66 000 273	
LET.		NO.		REVISION		BY		DATE				APPROVED		POWER PAK 435 LOW PROFILE HEATER	
										USAGE:		445LP		SHEET 1 OF 1	