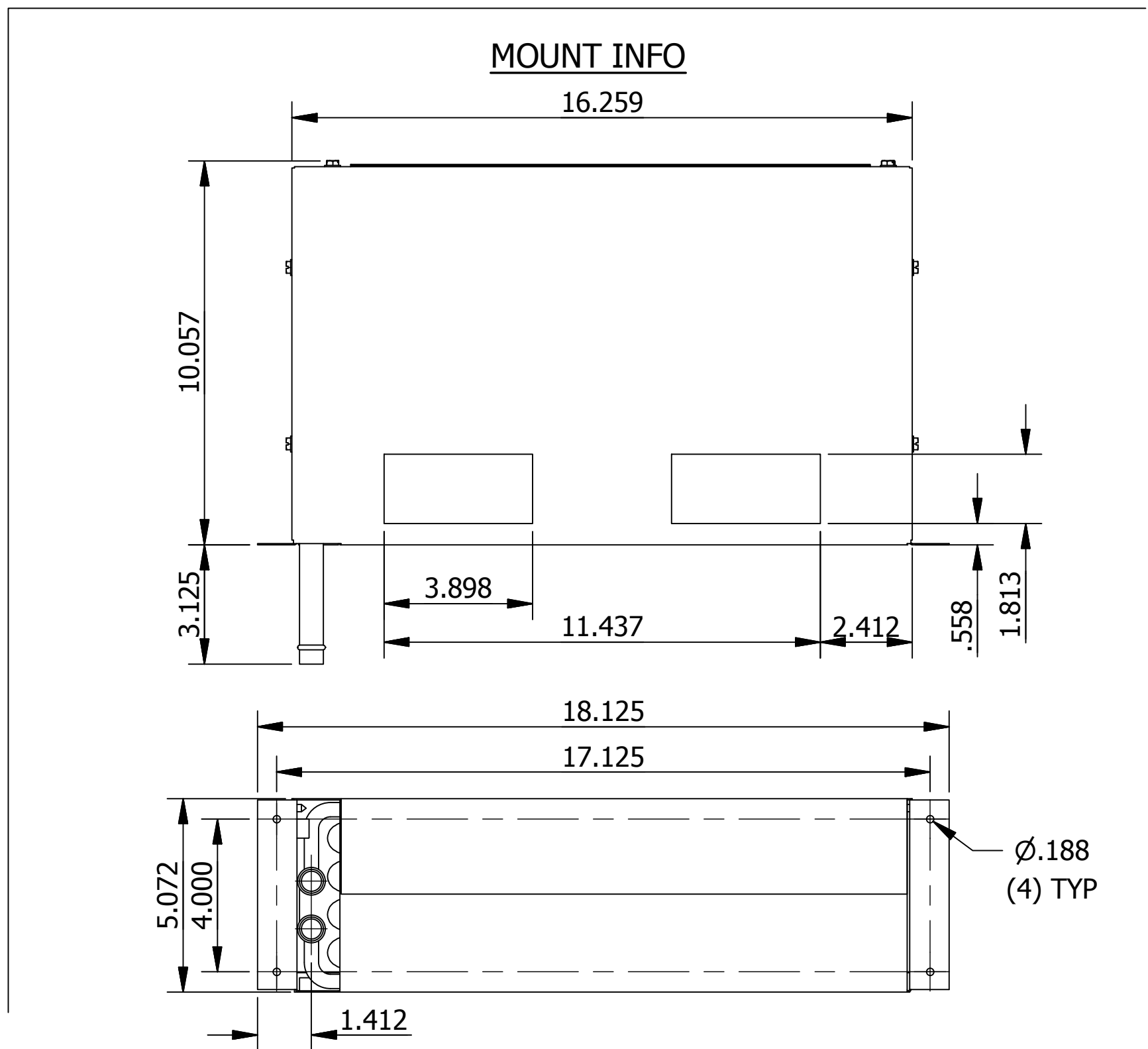
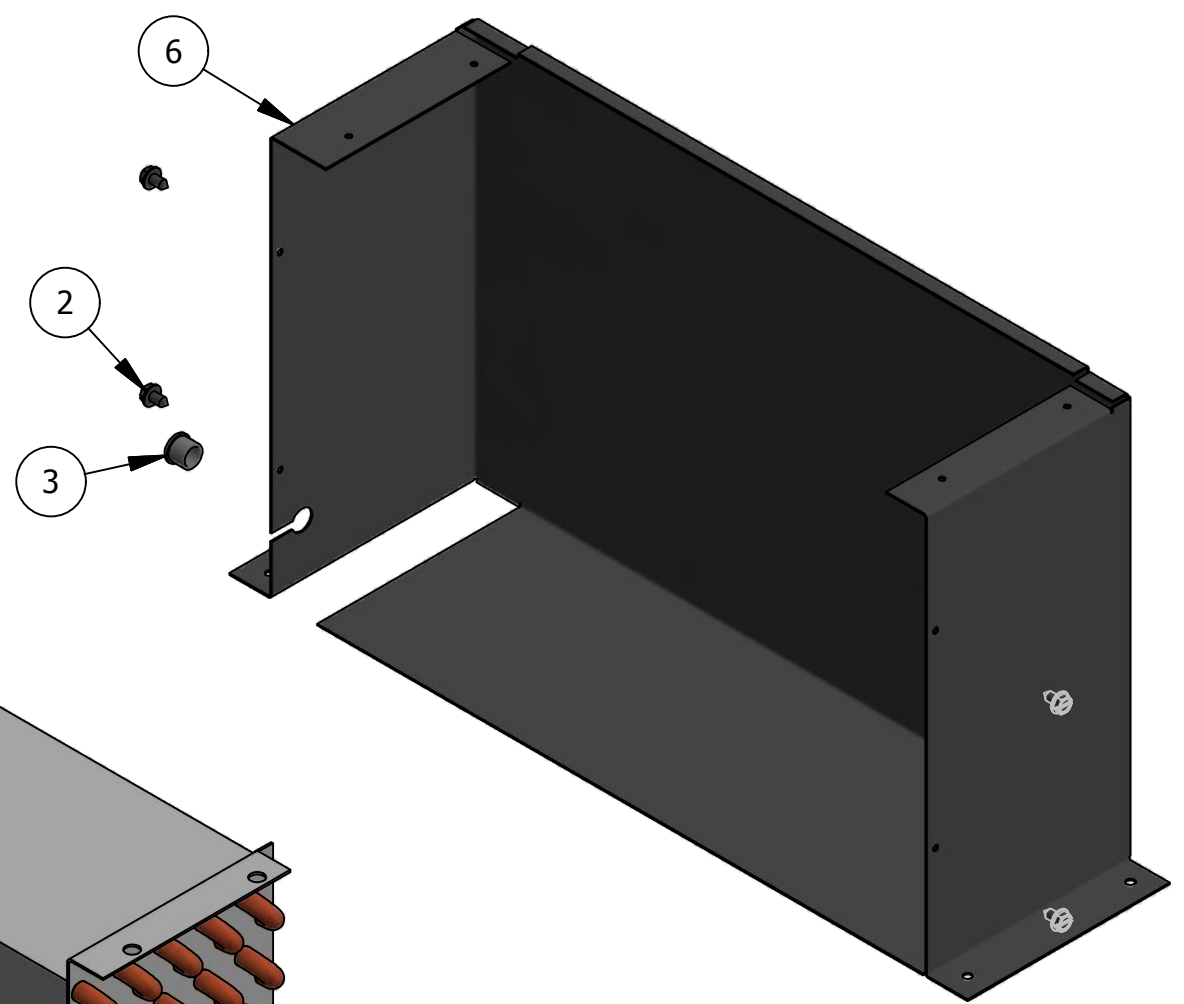
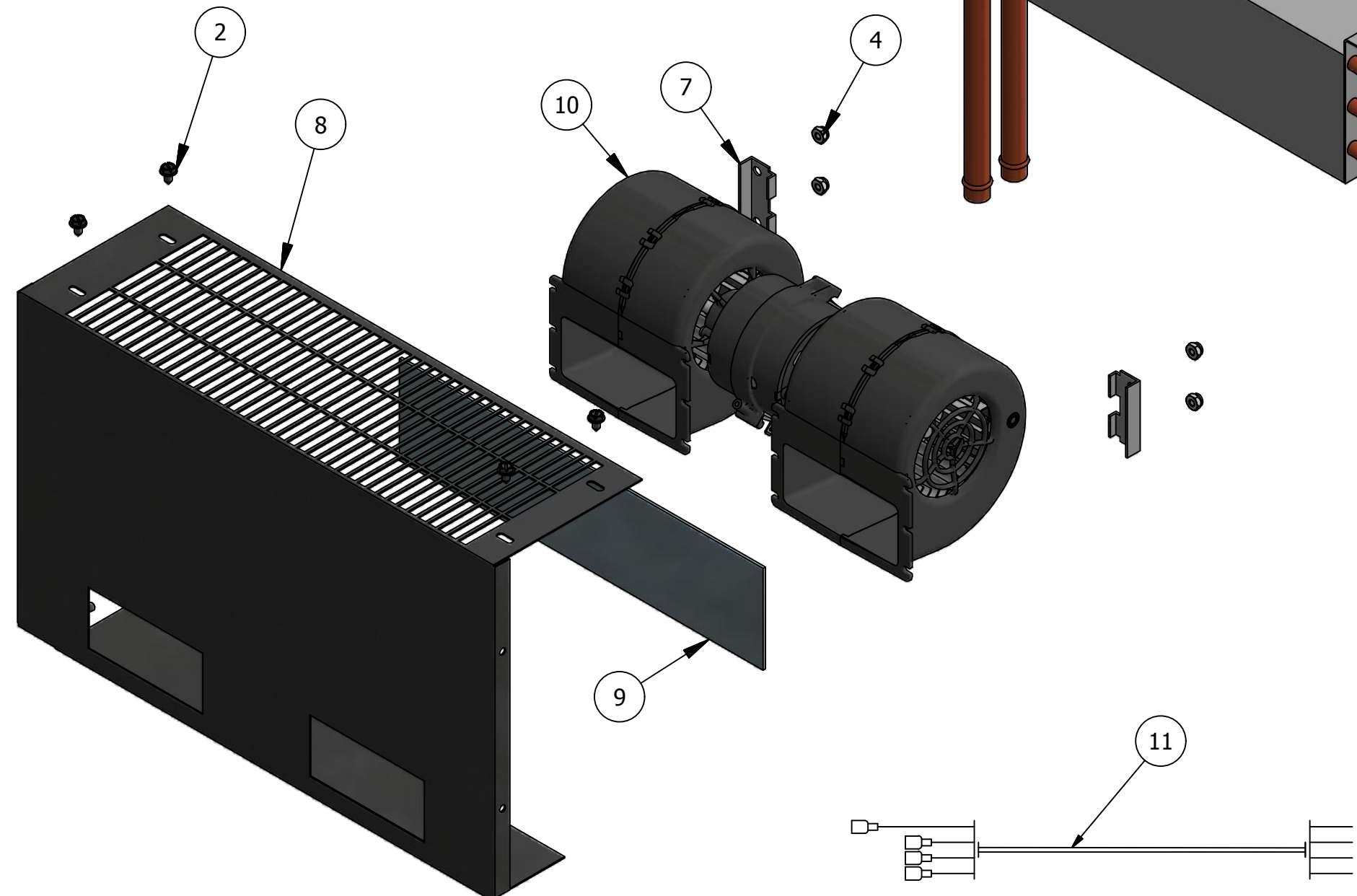


PARTS LIST			
ITEM	QTY	PART NUMBER	DESCRIPTION
1	1	01 000 071	HARN, 960 SPAL BLOWER
2	8	02 000 051	SCREW, 10x3/8 HEX WSHR TYPE-AB
3	1	02 000 055	GROMMET, 3/8" ID 1/2" OD
4	4	02 000 453	NUT, 10-24 NYLON LOCK
5	1	03 000 088	COIL, HEAT 50M BTU
6	1	06 000 338	CASE, BACK 450
7	2	06 000 789	BRKT, MOTOR HOLD DOWN
8	1	06 000 790	CASE, FRONT 450
9	1	06 000 791	SCREEN, BLOWER OUTLET
10	1	11 000 156	BLOWER ASSY, 12v DBL SM W/SP RE
11	1	01 000 071	HARN, 960 SPAL



PROPRIETARY & CONFIDENTIAL. UNPUBLISHED WORK COPYRIGHT PRO AIR LLC. PRO AIR, LLC CLAIMS PROPRIETARY RIGHTS IN THE MATERIAL DISCLOSED HEREON. NEITHER THIS DRAWING NOR ANY REPRODUCTION OR PORTION THEREOF MAY BE DISTRIBUTED OR USED TO MANUFACTURE ANYTHING SHOWN HEREON WITHOUT PERMISSION IN WRITING FROM PROAIR, LLC.

REV. A

A 18-001		RELEASED TO PRODUCTION		CEB	2/5/18	 2900 COUNTY RD 6 W ELKHART, IN 46514	TITLE:	HEATER, 450		PART NO.	66 000 262		
LET.	NO.	REVISION		BY	DATE		APPROVED	USAGE:	ALL		SCALE:	.3 : 1	SIZE
										SHEET	1	OF	1