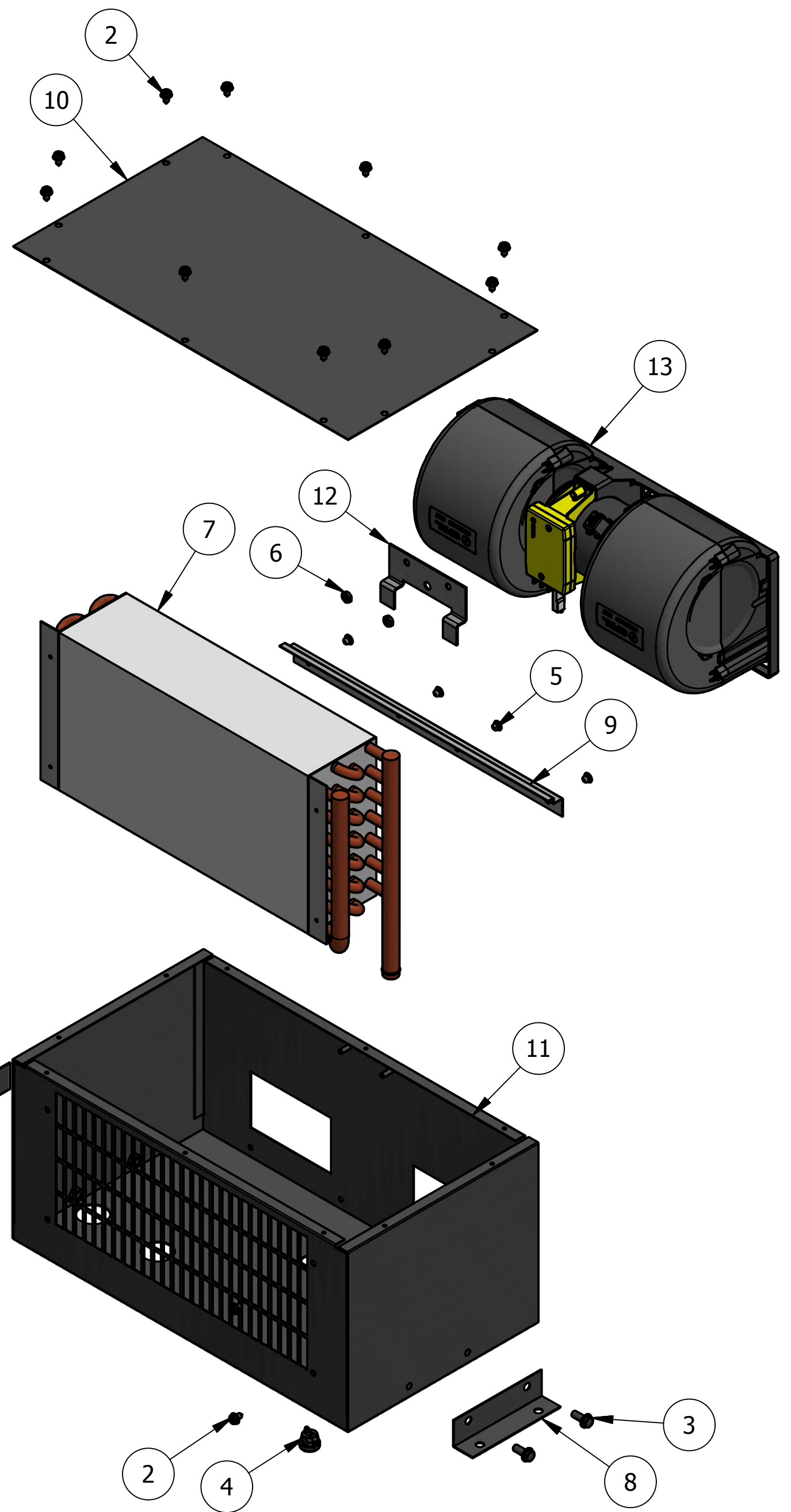
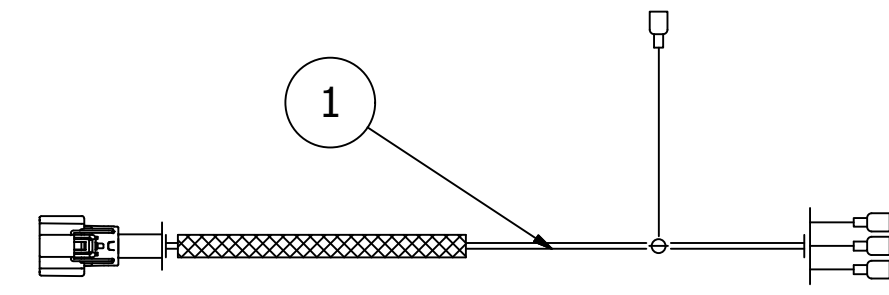
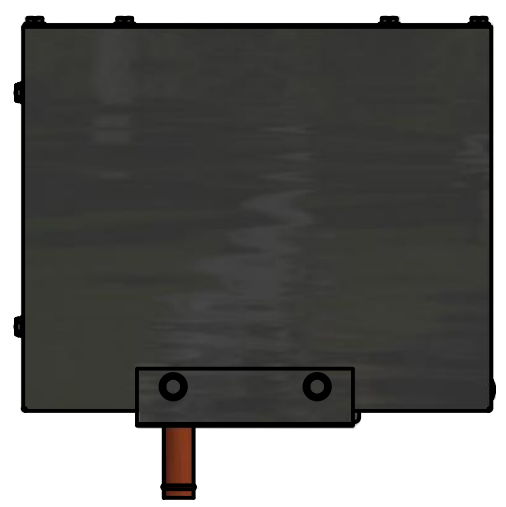
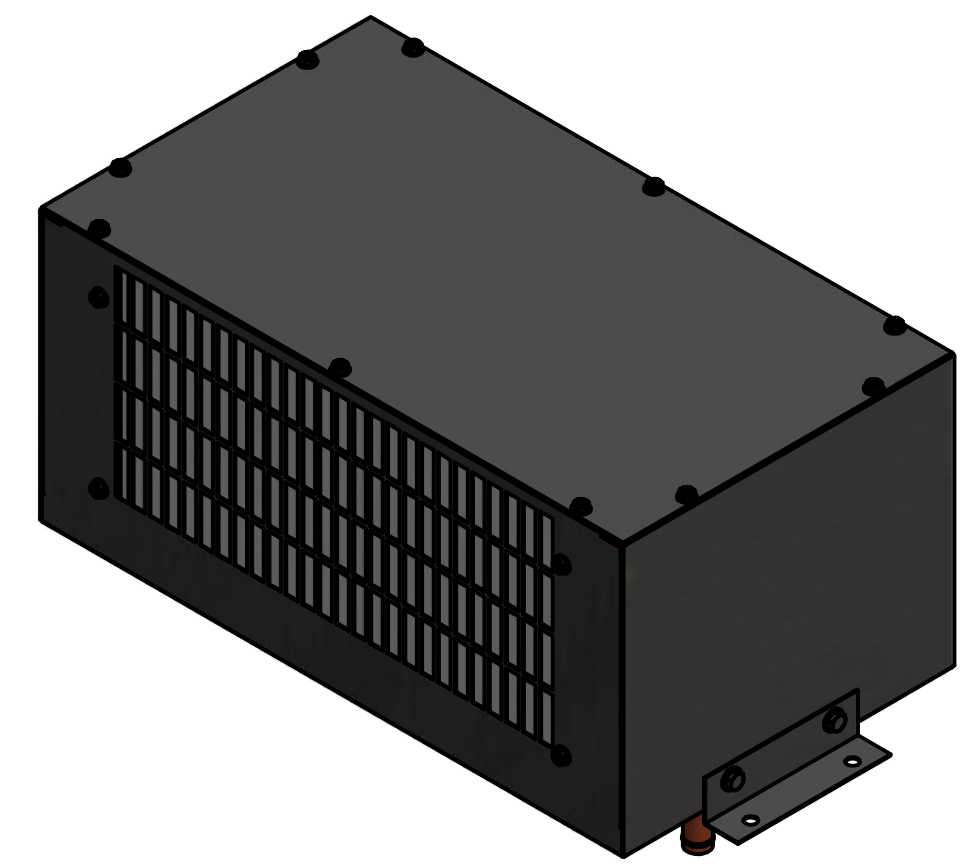
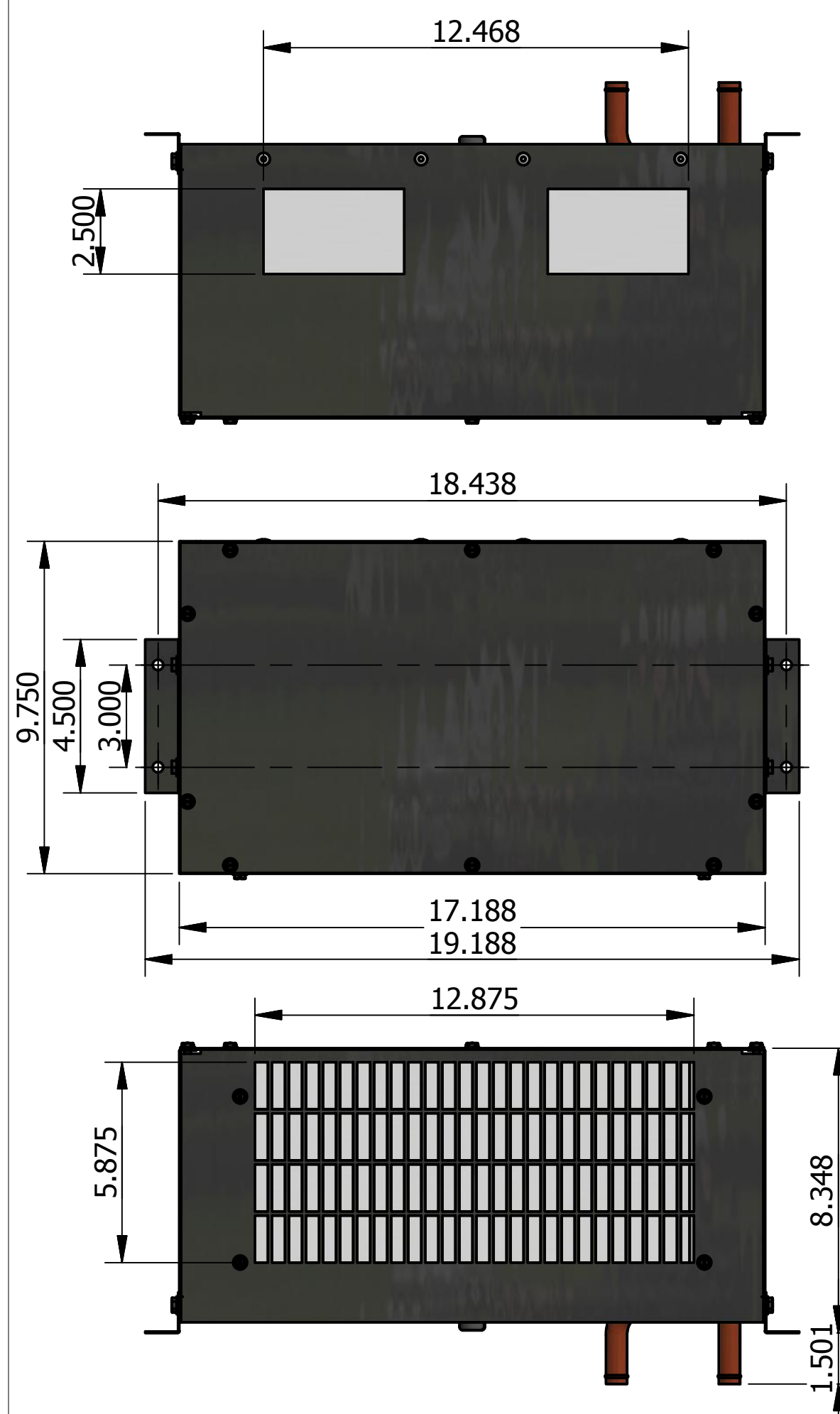


PARTS LIST			
ITEM	QTY	PART NUMBER	DESCRIPTION
1	1	01 000 071	
2	14	02 000 051	SCREW, 10x3/8 HEX WSHR TYPE-AB
3	4	02 000 066	BOLT, 1/4-20 x 5/8 HEX BLK SEMS
4	1	02 000 071	GROMMET, STRAIN RELIEF 5/8 OD
5	4	02 000 096	RIVET, 3/16 x 9/32
6	2	02 000 115	NUT, 10-24 HEX ZINC
7	1	03 000 030	COIL, 455 HEAT
8	2	06 000 044	BRKT, 1 X 1 3/16 X 4 1/2 OPT
9	1	06 000 080	BRKT, LOWER BLOWER MOUNTING
10	1	06 000 087	CASE, COVER 455
11	1	06 000 088	HOUSING, 455 HEATER
12	1	06 001 193	BRACKET, BLOWER SUPPORT LONG
13	1	11 000 214	BLOWER ASSY, W/RESIS, 12v UNIM

PART NO. 66 000 221



**MOUNT INFO**



PROPRIETARY & CONFIDENTIAL. UNPUBLISHED WORK COPYRIGHT PRO AIR LLC. PRO AIR, LLC CLAIMS PROPRIETARY RIGHTS IN THE MATERIAL DISCLOSED HEREON. NEITHER THIS DRAWING NOR ANY REPRODUCTION OR PORTION THEREOF MAY BE DISTRIBUTED OR USED TO MANUFACTURE ANYTHING SHOWN HEREON WITHOUT PERMISSION IN WRITING FROM PROAIR, LLC.

REV. A

A		18-001		RELEASED TO PRODUCTION		CEB		2/6/18		 <b>2900 COUNTY RD 6 W ELKHART, IN 46514</b>		TITLE:		PART NO. 66 000 221	
LET.	NO.	REVISION		BY	DATE	SIGNATURES		DATE				HEATER, 455 DUCTED		SCALE: .25 : 1	SIZE A
						DRAWN	CEB		2/6/18			USAGE: ALL		SHEET 1 OF 1	
						CHECKED	RAI		2/6/18						
						APPROVED									