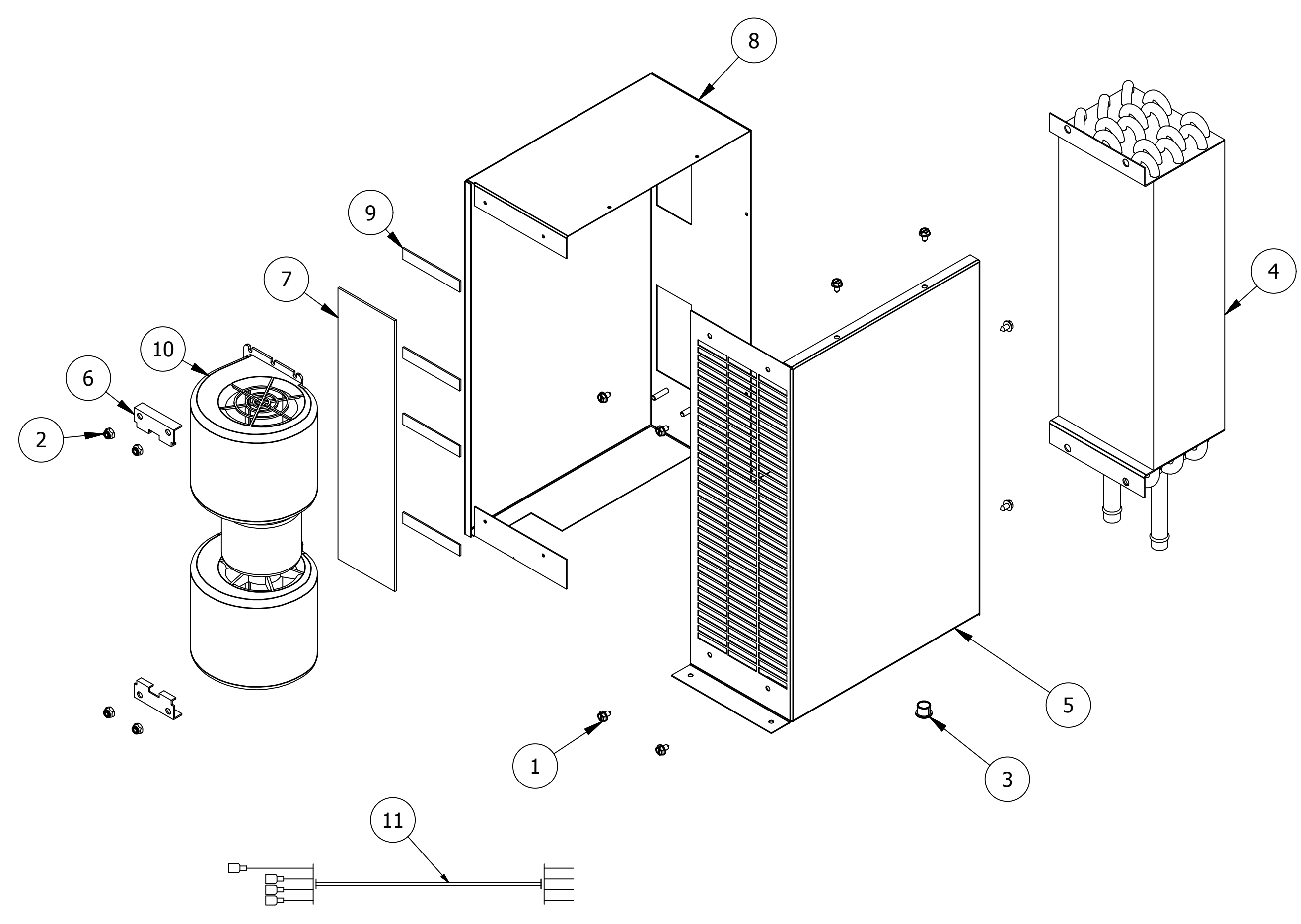
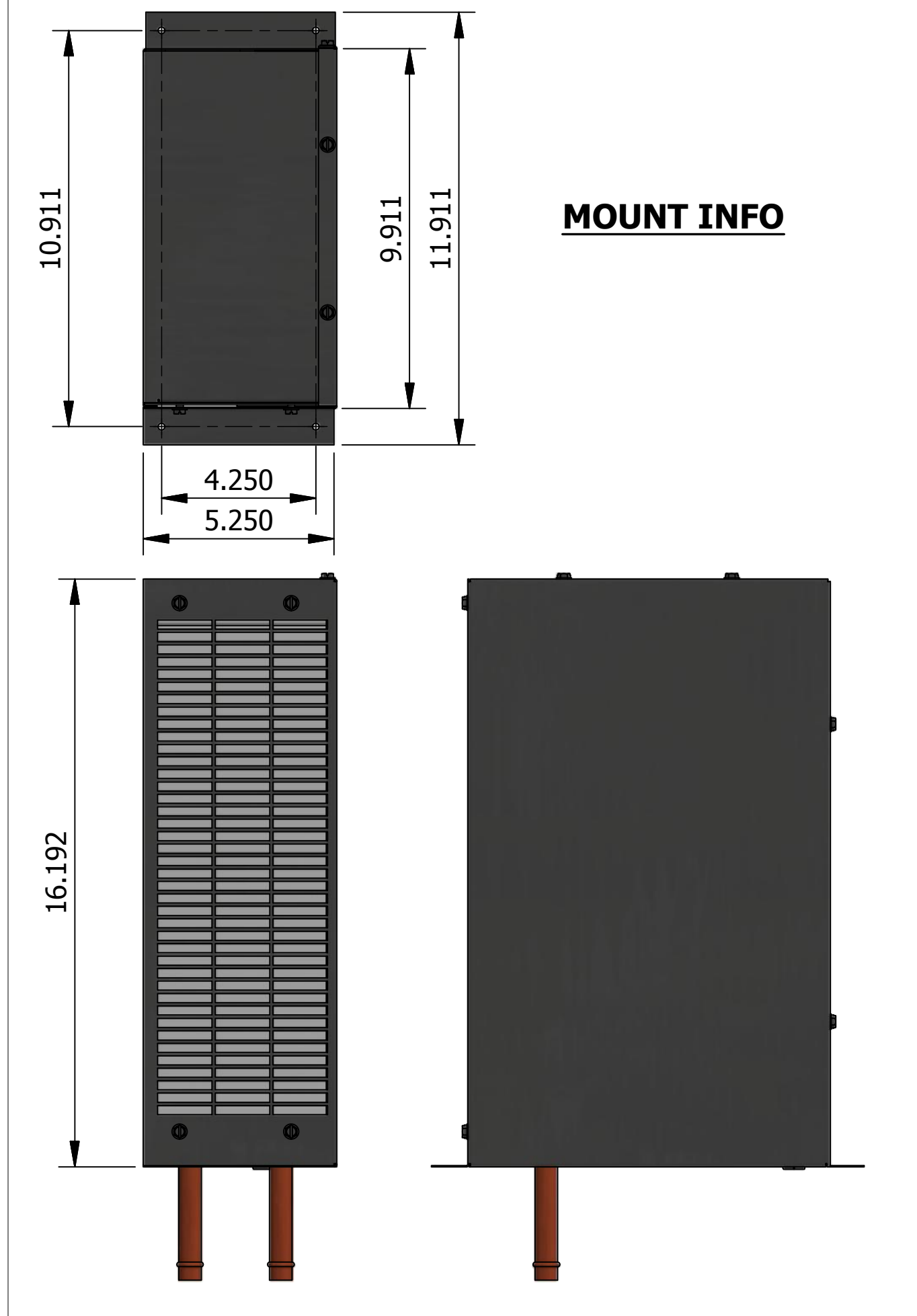


PARTS LIST			
ITEM	QTY	PART NUMBER	DESCRIPTION
1	8	02 000 051	SCREW, 10x3/8 HEX WSHR TYPE-AB
2	4	02 000 453	NUT, 10-24 NYLON LOCK
3	1	02 000 610	GROMMET, .5" SNAP-IN ELEC
4	1	03 000 089	COIL, HT 60M BTU 460 HTR 4739
5	1	06 000 339	CASE, FRONT 460 HTR
6	2	06 000 789	BRKT, MOTOR HOLD DOWN
7	1	06 000 791	SCREEN, BLOWER OUTLET
8	1	06 000 792	CASE, FRONT 460 HTR
9	1 FT	08 000 146	TAPE, FOAM 1/16 x 1/2 ROLL 2 SIDE
10	1	11 000 156	BLWR ASS'Y, SPAL 12v DBL SMALL
11	1	01 000 071	HARN, 960 SPAL

PART NO. 66 000 261



PROPRIETARY & CONFIDENTIAL. UNPUBLISHED WORK COPYRIGHT PRO AIR LLC. PRO AIR, LLC CLAIMS PROPRIETARY RIGHTS IN THE MATERIAL DISCLOSED HEREON. NEITHER THIS DRAWING NOR ANY REPRODUCTION OR PORTION THEREOF MAY BE DISTRIBUTED OR USED TO MANUFACTURE ANYTHING SHOWN HEREON WITHOUT PERMISSION IN WRITING FROM PROAIR, LLC.

SIGNATURES		DATE		<p>2900 COUNTY RD 6 W ELKHART, IN 46514</p>	TITLE:	PART NO. 66 000 261	
DRAWN	CEB	2/5/18	CHECKED		RAI	PP, 60M BTU 460 HTR SPAL	SCALE: 9/32 : 1
APPROVED						USAGE: 460	SIZE A
A LET.	18-001 NO.	RELEASED TO PRODUCTION REVISION	CEB BY	2/5/18 DATE		SHEET 1 OF 1	