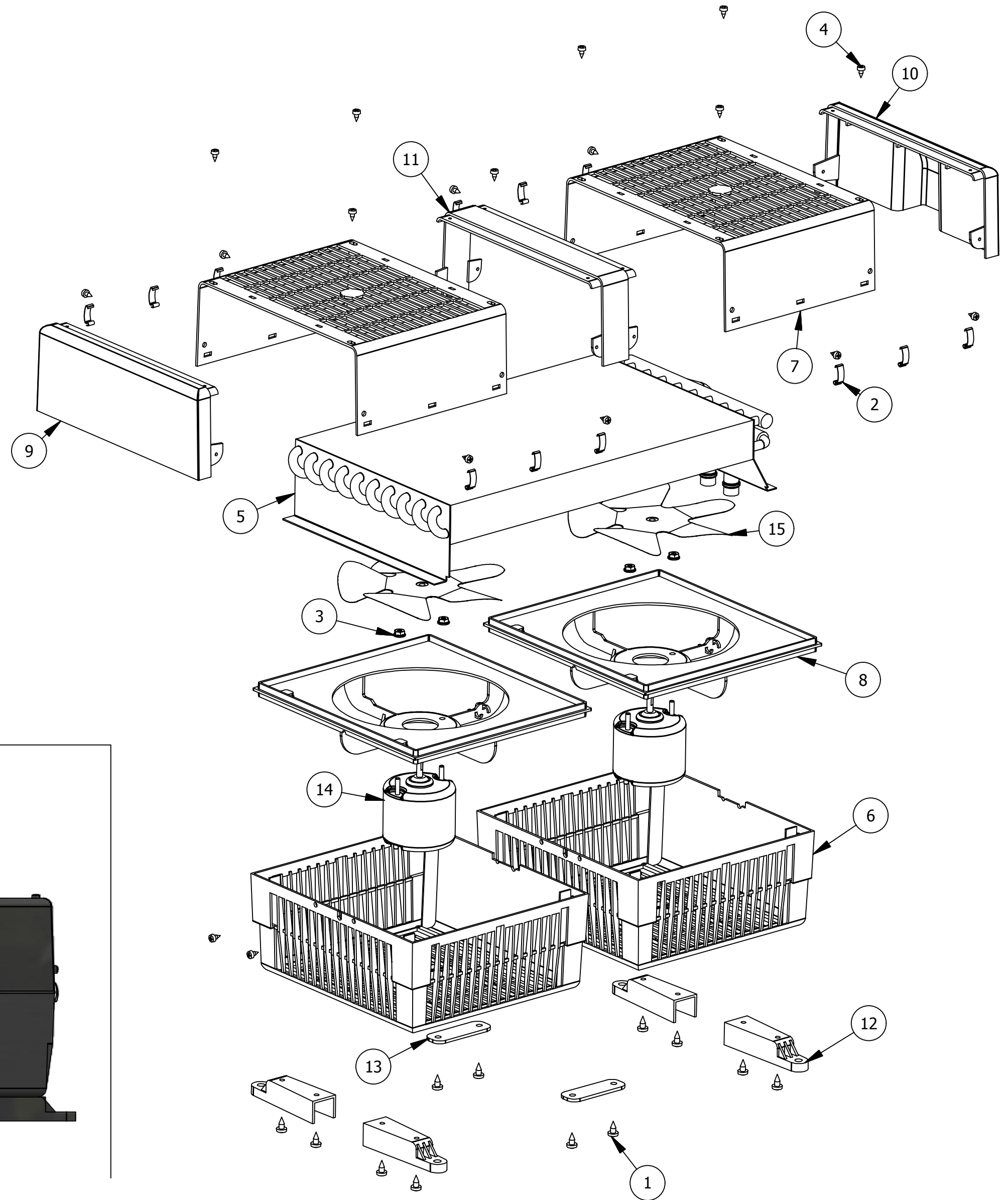
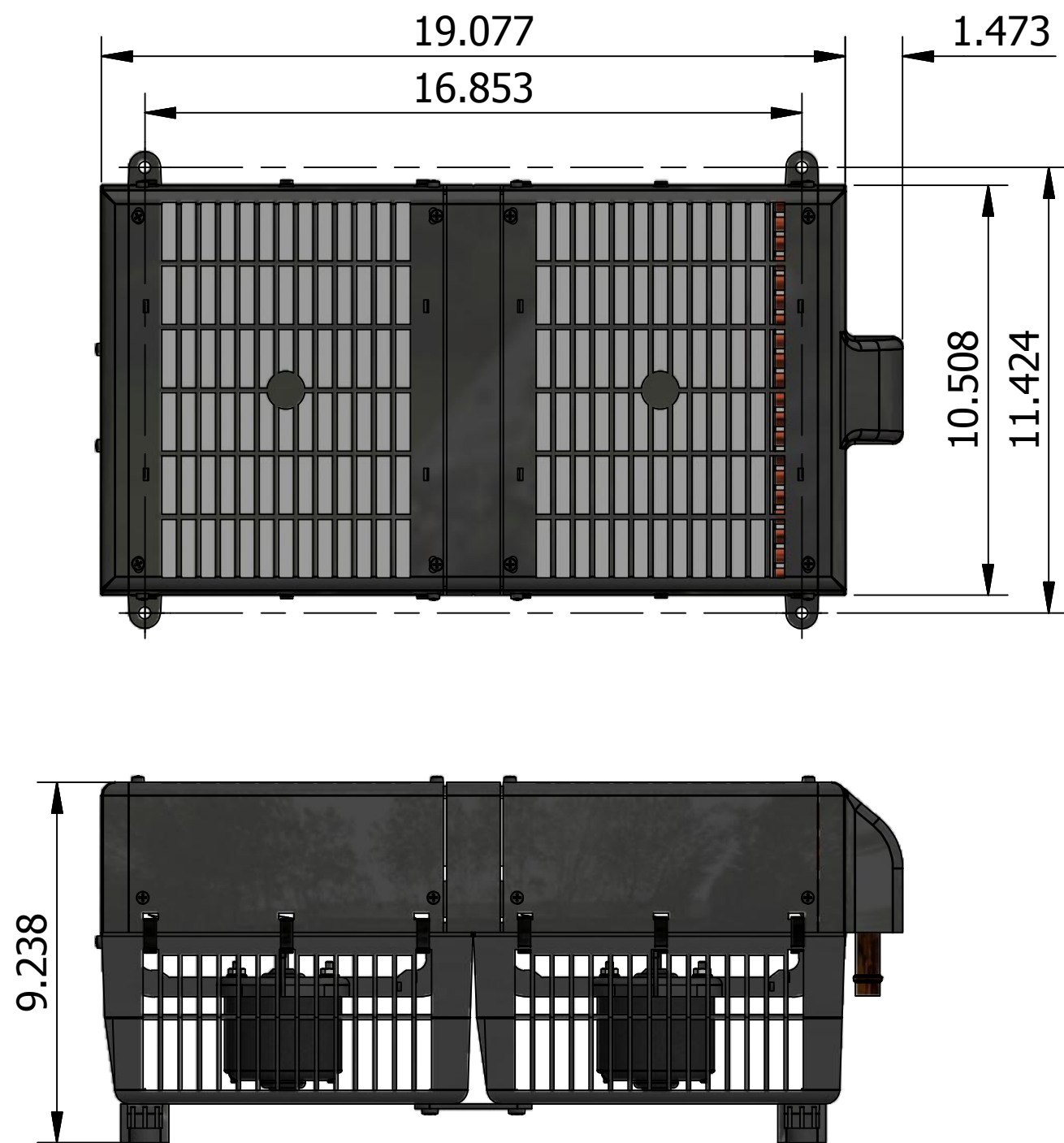


PARTS LIST			
ITEM	QTY	PART NUMBER	DESCRIPTION
1	12	02 000 107	SCREW, 10 x 1/2 PH PHIL BLK
2	12	02 000 122	CLIP, HOUSING AT INJ CASE
3	4	02 000 159	NUT, 10-32 SCR/FLG LOCK
4	18	02 000 233	SCREW, 8 x 3/8 PHIL PH BLK OX PLA
5	1	03 000 074	COIL, HEATER 465
6	2	07 000 412	CASE, BOTTOM HEATER
7	2	07 000 413	CASE, TOP HEATER
8	2	07 000 414	MOUNTG, 5.5" FAN-LOW PRO HTR
9	1	07 000 415	CAP, END BLANK
10	1	07 000 416	CAP, END - TUBE END
11	1	07 000 417	HOUSING, CENTER
12	4	07 000 567	BRKT, BOTTOM LEG MOUNT
13	2	07 000 568	BRKT, CENTER BRACE
14	2	11 000 098	MOTOR, 12v 2-SPD SGL SHAFT W/GR
15	2	11 000 126	FAN, 7" BLADE HUB DISCHARGE

PART NO. 66 000 068

MOUNT INFO



PROPRIETARY & CONFIDENTIAL. UNPUBLISHED WORK COPYRIGHT PRO AIR LLC. PRO AIR, LLC CLAIMS PROPRIETARY RIGHTS IN THE MATERIAL DISCLOSED HEREON. NEITHER THIS DRAWING NOR ANY REPRODUCTION OR PORTION THEREOF MAY BE DISTRIBUTED OR USED TO MANUFACTURE ANYTHING SHOWN HEREON WITHOUT PERMISSION IN WRITING FROM PROAIR, LLC.

REV. A

A 18-001		RELEASED TO PRODUCTION		CEB	2/5/18	 2900 COUNTY RD 6 W ELKHART, IN 46514	TITLE:	PART NO. 66 000 068		
LET.	NO.	REVISION		BY	DATE		APPROVED	POWER PAK, HTR 465 65M BTU PLAS	SCALE: 1/4=1	SIZE A
							USAGE:	465		
							SHEET 1 OF 1			