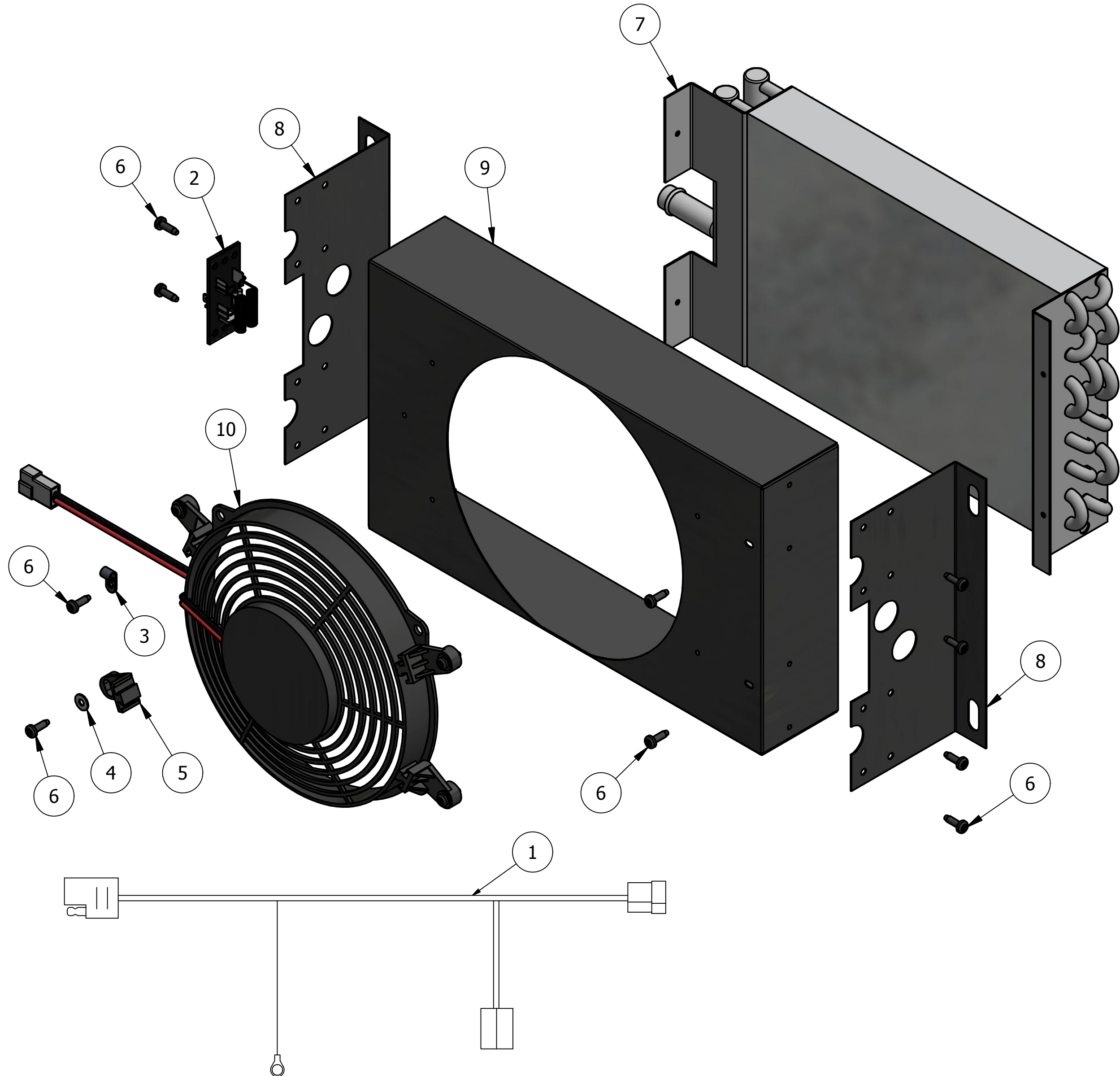
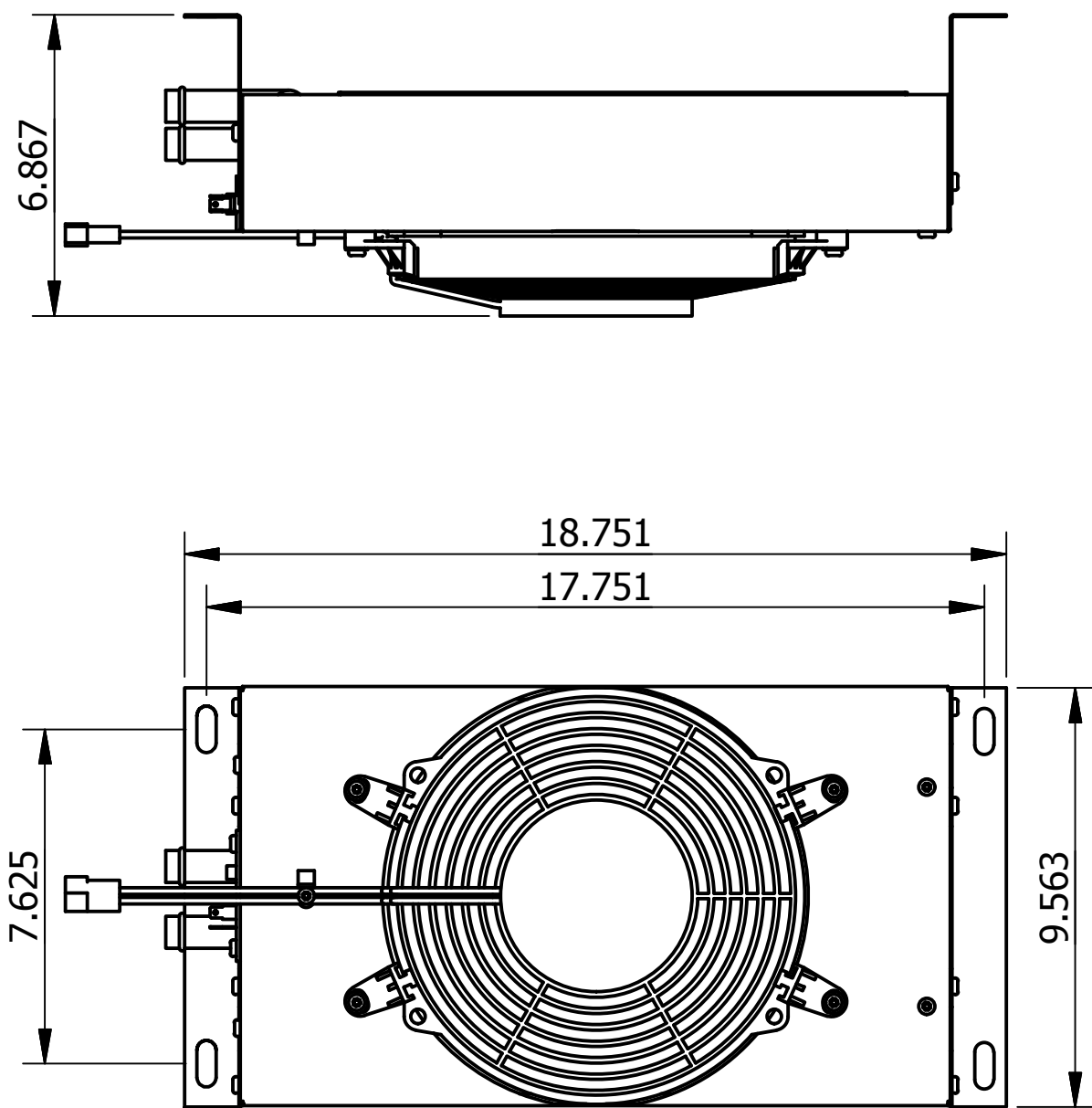


PARTS LIST			
ITEM	QTY	PART NUMBER	DESCRIPTION
1	1	01 000 087	HARN,RESISTOR AT/MM
2	1	01 000 091	RESISTOR, BLOWER AT/MM
3	1	02 000 100	LINESTAKE, 1/4" I.D. NYLON
4	4	02 000 169	WASHER, #10 ZINC
5	4	02 000 277	BRKT, FAN 90 DEG MTG DCM
6	19	02 000 597	SCREW, 10-24 x 5/8 BLK TYPE 23 T
7	1	03 000 068	COIL, HEATER USHTR
8	2	06 000 310	BRKT, LF/RT END MTG
9	1	06 001 384	HOUSING, 466A HEATER
10	1	11 000 166	FAN, 9" PULLER BLADE 12V

PART NO. 66 000 064

MOUNT INFO



PROPRIETARY & CONFIDENTIAL. UNPUBLISHED WORK COPYRIGHT PRO AIR LLC. PRO AIR, LLC CLAIMS PROPRIETARY RIGHTS IN THE MATERIAL DISCLOSED HEREON. NEITHER THIS DRAWING NOR ANY REPRODUCTION OR PORTION THEREOF MAY BE DISTRIBUTED OR USED TO MANUFACTURE ANYTHING SHOWN HEREON WITHOUT PERMISSION IN WRITING FROM PROAIR, LLC.

REV. A

A		18-001		RELEASED TO PRODUCTION		CEB		1/3/18		 2900 COUNTY RD 6 W ELKHART, IN 46514		TITLE:		PART NO. 66 000 064	
LET.	NO.	REVISION		BY	DATE	SIGNATURES		DATE				HEATER, 466		SCALE: .6 : 1	SIZE A
						DRAWN CEB		1/3/18		USAGE:		ALL		SHEET 1 OF 1	
						CHECKED RAI		1/3/18							
						APPROVED									