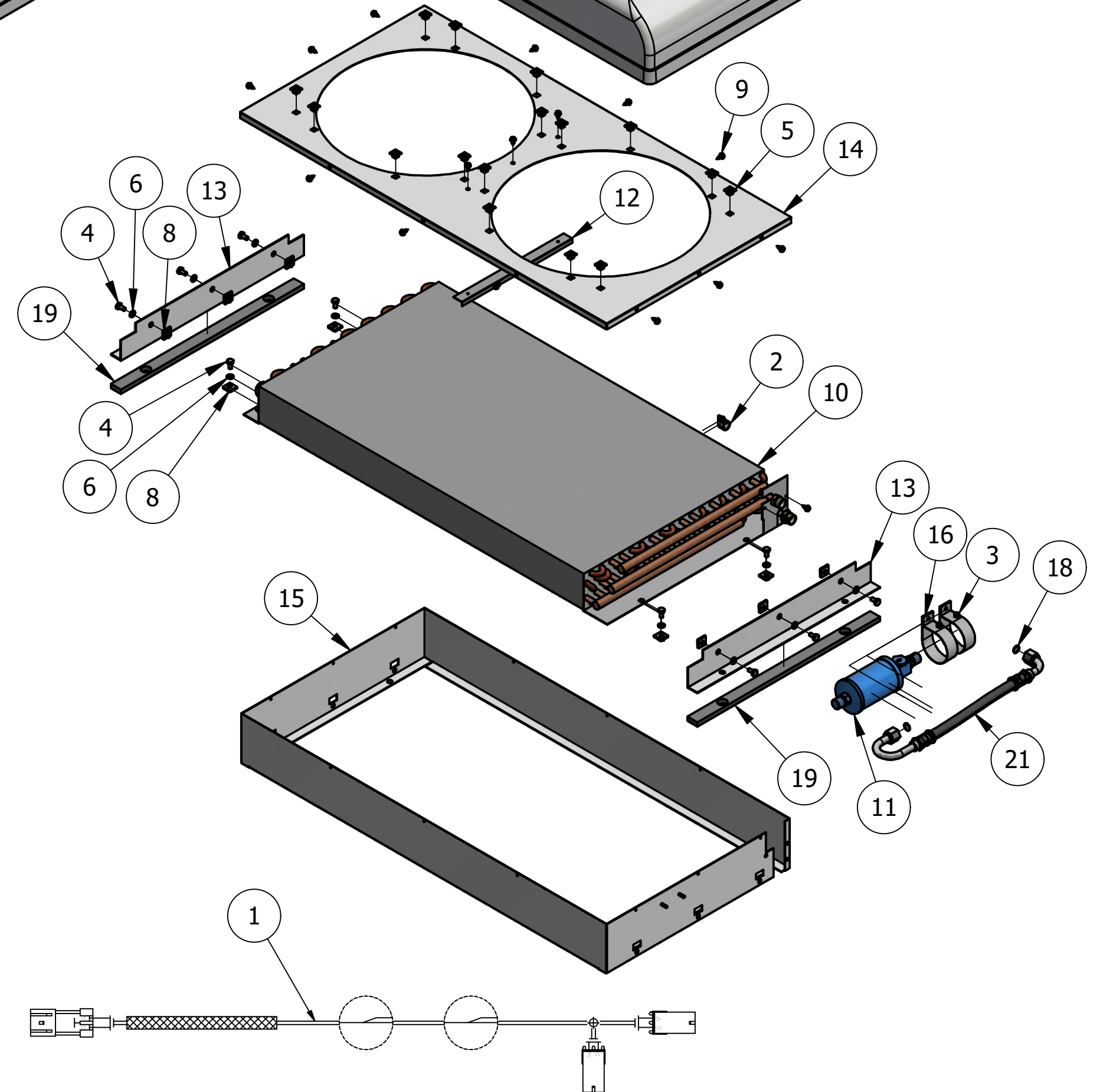
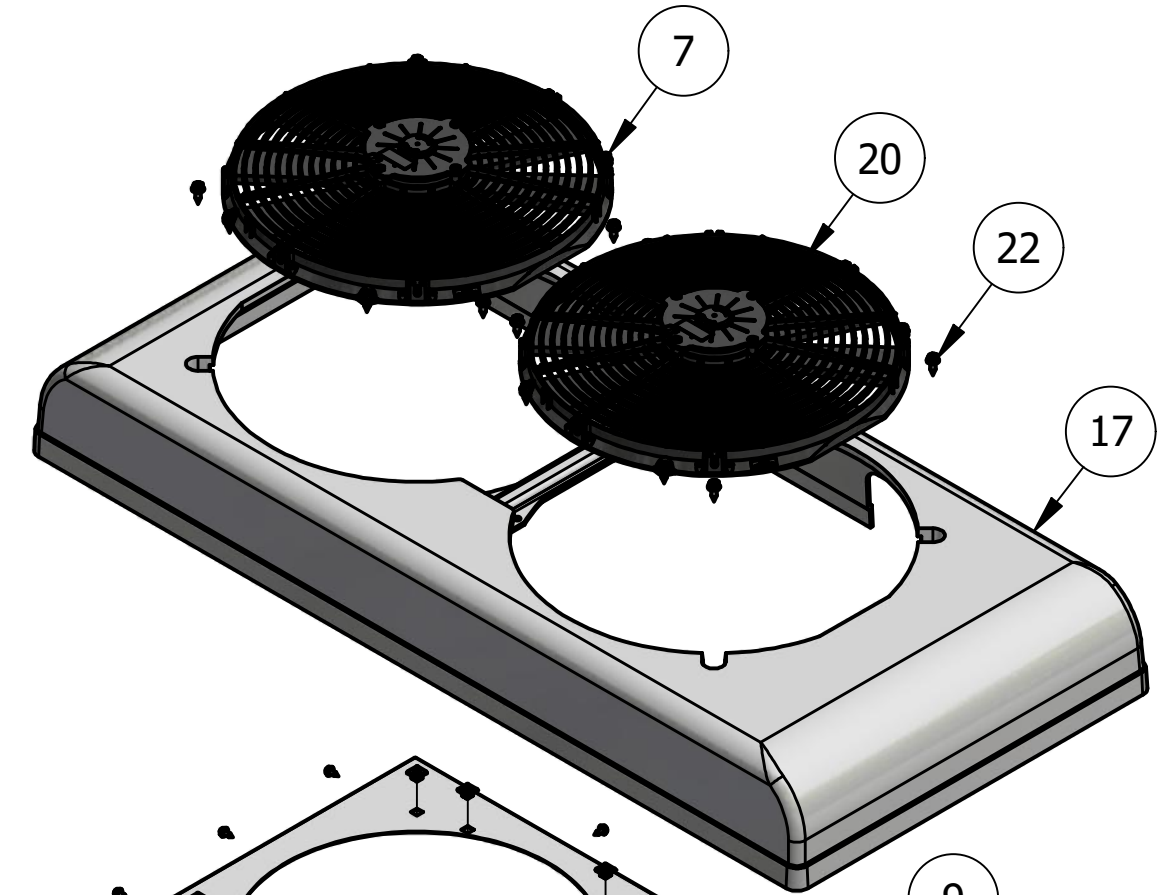
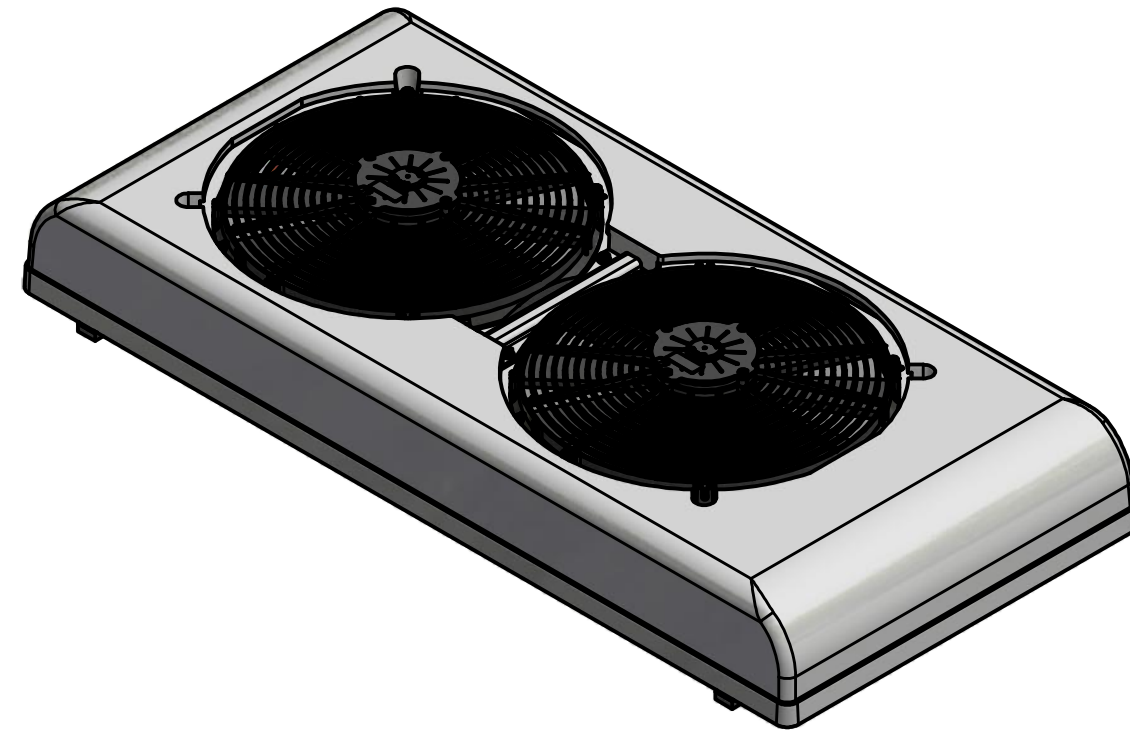
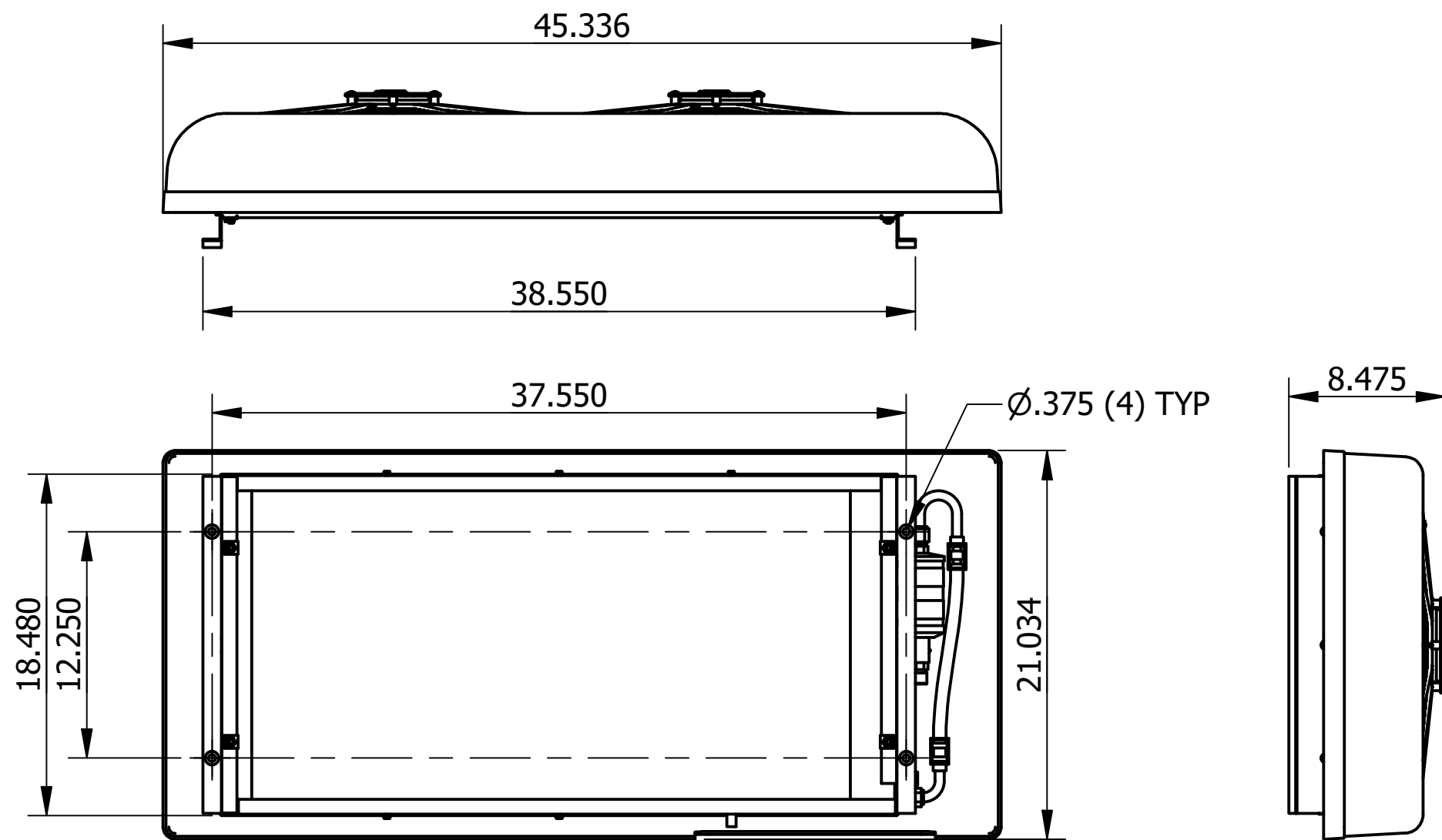


PARTS LIST

ITEM	QTY	PART NUMBER	DESCRIPTION
1	1	01 000 365	HARN, WIRE 2 FAN WP SN
2	1	02 000 131	LINESTAKE, 1/2" W/5/16 MTG HL
3	3	02 000 157	NUT, 8-32 NYLON LOCK
4	10	02 000 226	BOLT, 1/4-20 x 1/2 SS
5	16	02 000 230	GROMMET, PANEL INSERT NYLON
6	10	02 000 381	WASHER, 1/4 FLAT SS
7	8	02 000 398	SCREW, 14 x 3/4 SLT HEX WSHR SS
8	10	02 000 463	NUT, U RETAINER TYPE 1/4-20 ZIN
9	18	02 000 543	SCREW, 10 x 1/2 HEX WSHR TEK SS
10	1	03 000 157	CPOIL, COND 18 x 32 114 SN
11	1	05 000 682	DRIER, WITH SIGHT GLASS #8 MIO (2)
12	1	06 000 465	BRACE, CASE TOP COND
13	2	06 000 673	BRKT, MTG
14	1	06 000 675	HOUSING, TOP
15	1	06 000 676	HOUSING, SIDES
16	2	06 001 146	BRACKET, DRIER BOTTLE
17	1	07 000 533	COVER, 2 FAN CONDENSER
18	2	08 000 008	O-RING, #8 13/32
19	2	08 000 161	RUBBER, 3/8 x 1 x 18.25
20	2	60 001 396	SUB ASSY, 16" PULLER FAN 12V
21	1	62 000 549	HOSE ASSY, #8 AOC X 1.00'
22	1	63 000 799	BAG, SCREW 3/4-14



MOUNT INFO



PROPRIETARY & CONFIDENTIAL. UNPUBLISHED WORK COPYRIGHT PRO AIR LLC. PRO AIR, LLC CLAIMS PROPRIETARY RIGHTS IN THE MATERIAL DISCLOSED HEREON. NEITHER THIS DRAWING NOR ANY REPRODUCTION OR PORTION THEREOF MAY BE DISTRIBUTED OR USED TO MANUFACTURE ANYTHING SHOWN HEREON WITHOUT PERMISSION IN WRITING FROM PROAIR, LLC.

REV. A

A	18-090	RELEASED TO PRODUCTION	CEB	8/16/18		TITLE: CONDENSER, FRIGIKING 114	PART NO. 50 001 164
							SCALE: .125 : 1
LET.	NO.	REVISION	BY	DATE	APPROVED	USAGE:	ALL
							SHEET 1 OF 1

2900 COUNTY RD 6 W ELKHART, IN 46514