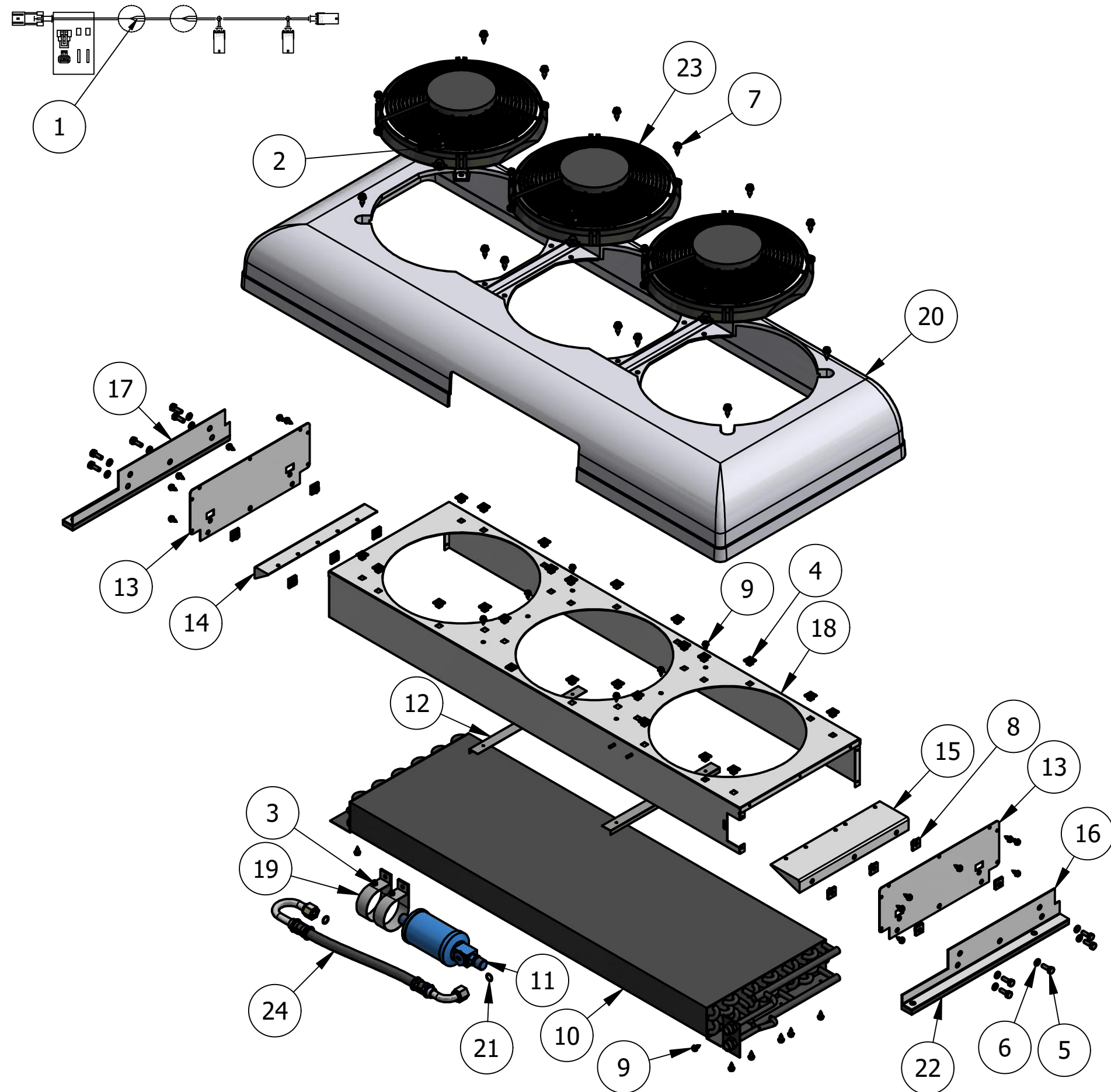
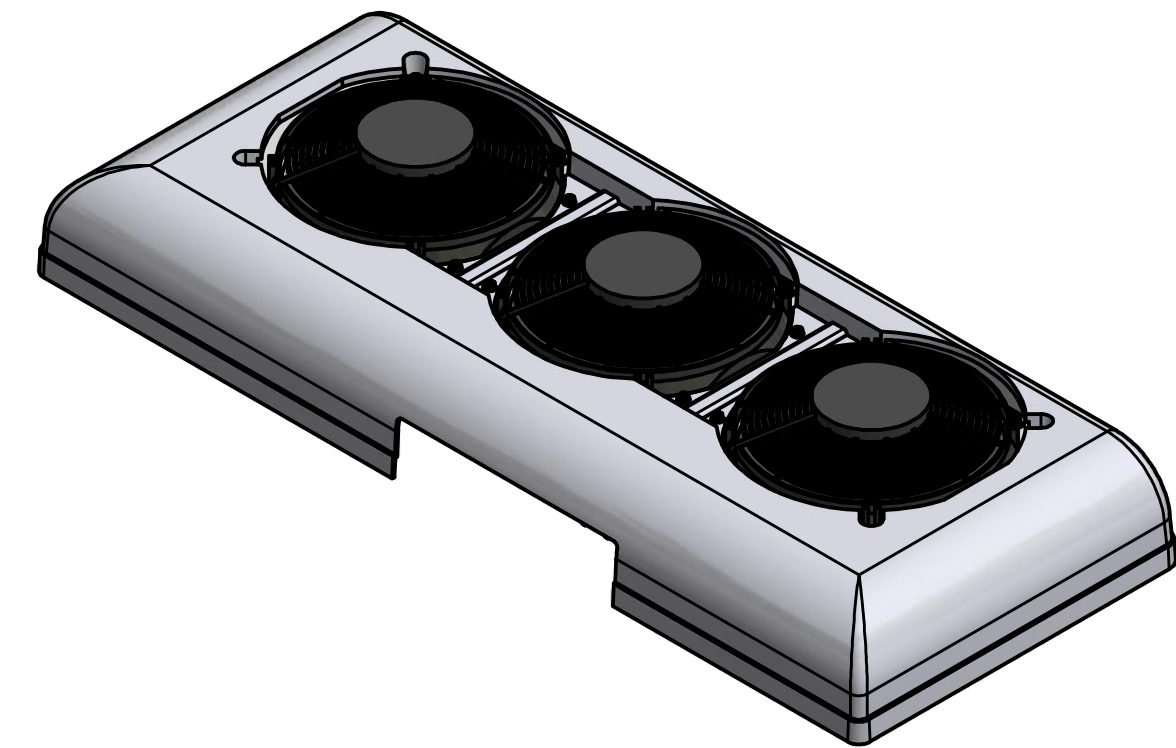
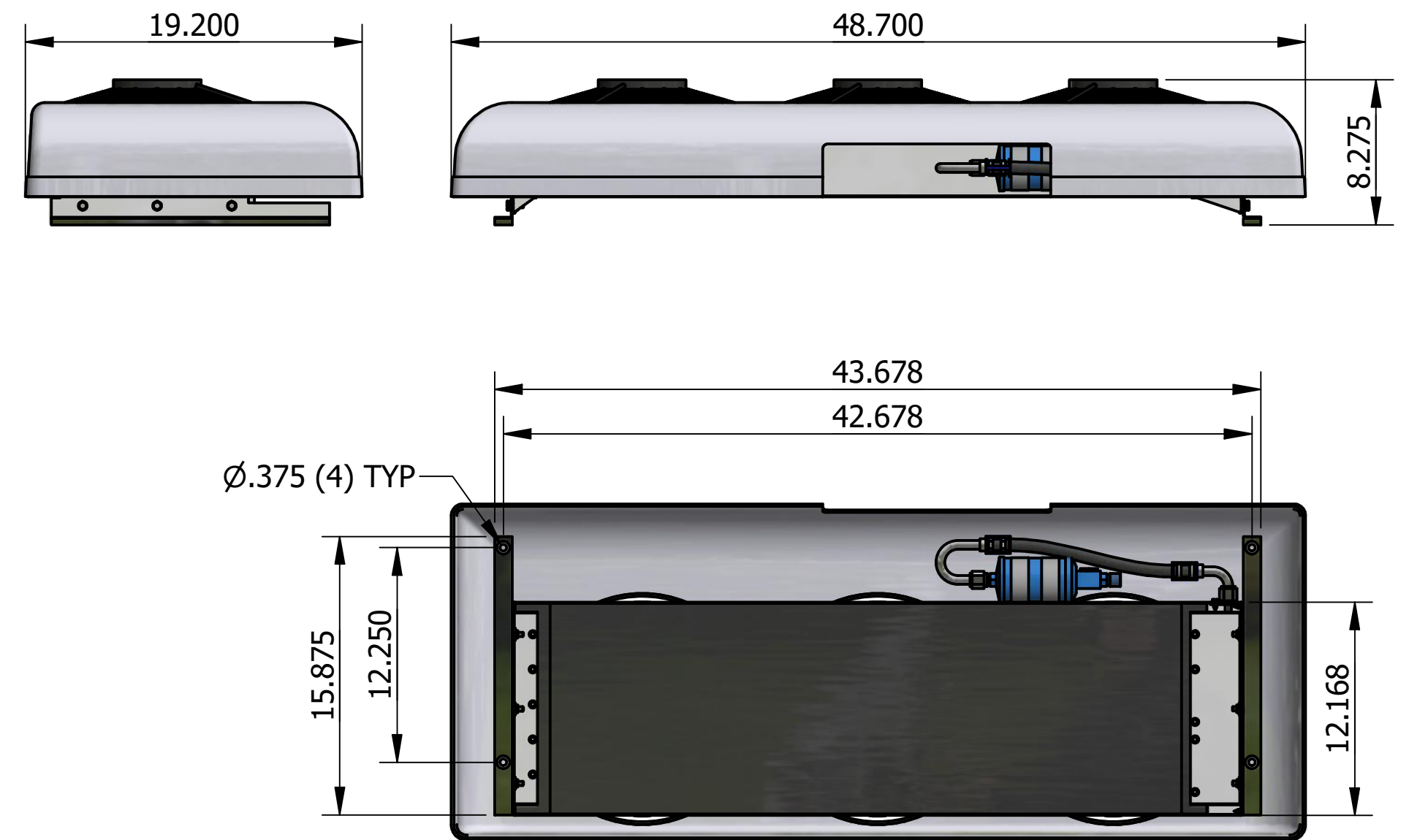


PARTS LIST				PARTS LIST			
ITEM	QTY	PART NUMBER	DESCRIPTION	ITEM	QTY	PART NUMBER	DESCRIPTION
1	1	01 000 245	HARN, 3 FAN CONDENSER	13	2	06 000 687	PANEL,112 SIDE CONDENSER
2	3	02 000 100	LINESTAKE, 1/4" I.D. NYLON	14	1	06 000 688	BRKT, 112 RIGHT SIDE COND MTG
3	2	02 000 157	NUT, 8-32 NYLON LOCK	15	1	06 000 689	BRKT, 112 LEFT SDIE COND MTG
4	24	02 000 230	GROMMET, PANEL INSERT NYLON	16	1	06 000 690	BRKT,112 LEFT SIDE COND UNIT MTG
5	10	02 000 380	BOLT, 1/4-20 x 3/4 SS	17	1	06 000 691	BRKT,112 RIGHT SIDE COND UNIT MTG
6	10	02 000 381	WASHER,1/4 FLAT SS	18	1	06 000 861	HOUSING, 3 FAN 112
7	24	02 000 398	SCREW, 14 x 3/4 SLT HEX WSHR SS	19	2	06 001 146	BRACKET, DRIER BOTTLE
8	10	02 000 463	NUT, U RETAINER TYPE 1/4-20 ZIN	20	1	07 000 534	COVER, 3 FAN CONDENSER 112
9	31	02 000 543	SCREW, 10 x 1/2 HEX WSHR TEK SS	21	2	08 000 008	O-RING, #8 13/32
10	1	03 000 121	COIL, COND 12 x 36 110/111	22	2	08 000 161	RUBBER, 3/8 X 1 X 18.25 112
11	1	05 000 682	DRIER, WITH SIGHT GLASS #8 MIO (2)	23	3	11 000 147	FAN, 11" PULLER HIGH OUTPUT 12v
12	2	06 000 465	BRACE, CASE TOP COND	24	1	62 000 549	HOSE ASSY, #8 AOC X 1.0'



MOUNT INFO



PROPRIETARY & CONFIDENTIAL. UNPUBLISHED WORK COPYRIGHT PRO AIR LLC. PRO AIR, LLC CLAIMS PROPRIETARY RIGHTS IN THE MATERIAL DISCLOSED HEREON. NEITHER THIS DRAWING NOR ANY REPRODUCTION OR PORTION THEREOF MAY BE DISTRIBUTED OR USED TO MANUFACTURE ANYTHING SHOWN HEREON WITHOUT PERMISSION IN WRITING FROM PROAIR, LLC.

REV. A

A		18-090		RELEASED TO PRODUCTION		CEB		8/21/18		 2900 COUNTY RD 6 W ELKHART, IN 46514		TITLE:		PART NO. 50 001 165	
LET.		NO.		REVISION		BY		DATE				APPROVED		FRIGIKING, 112 CONDENSER	
										USAGE:		ALL		SHEET 1 OF 1	