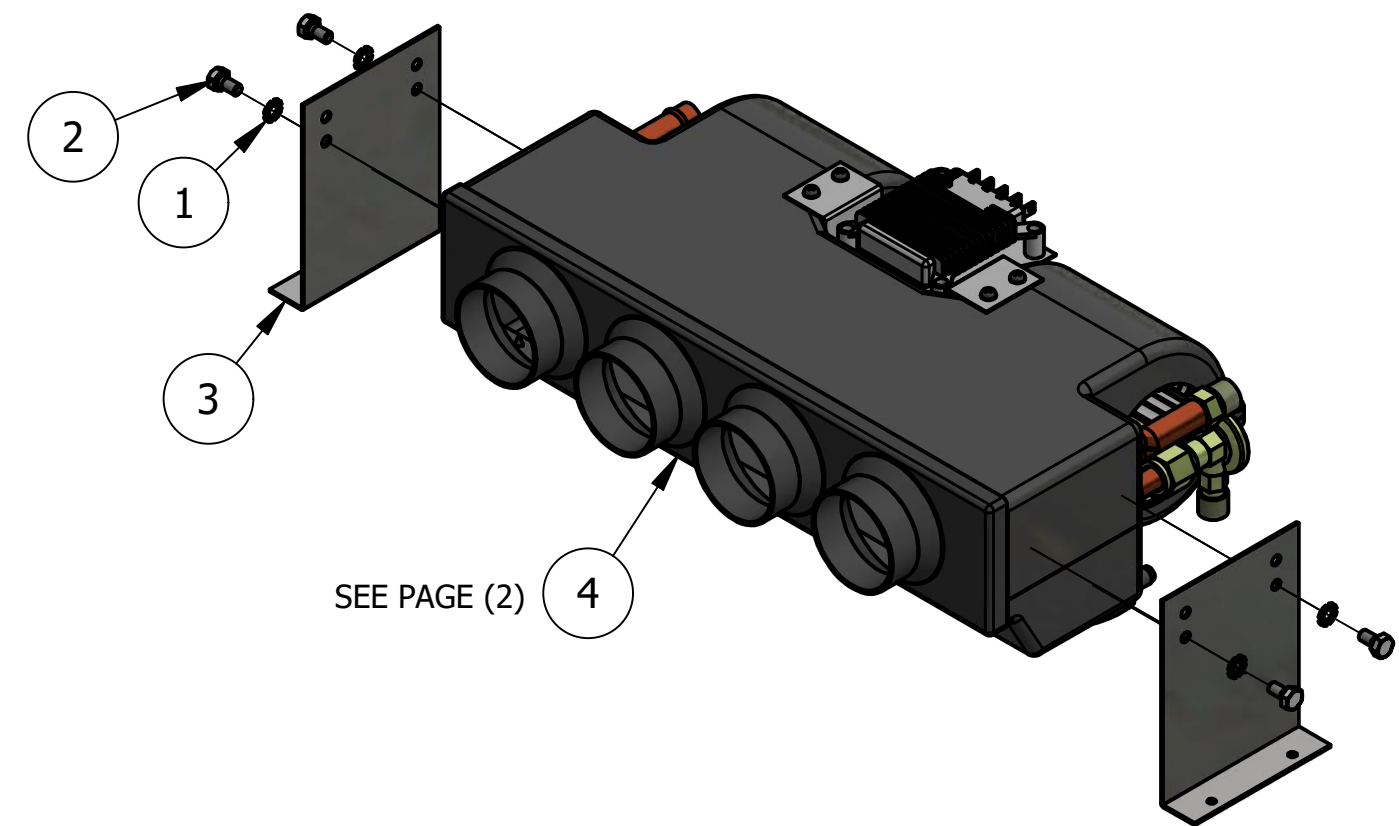
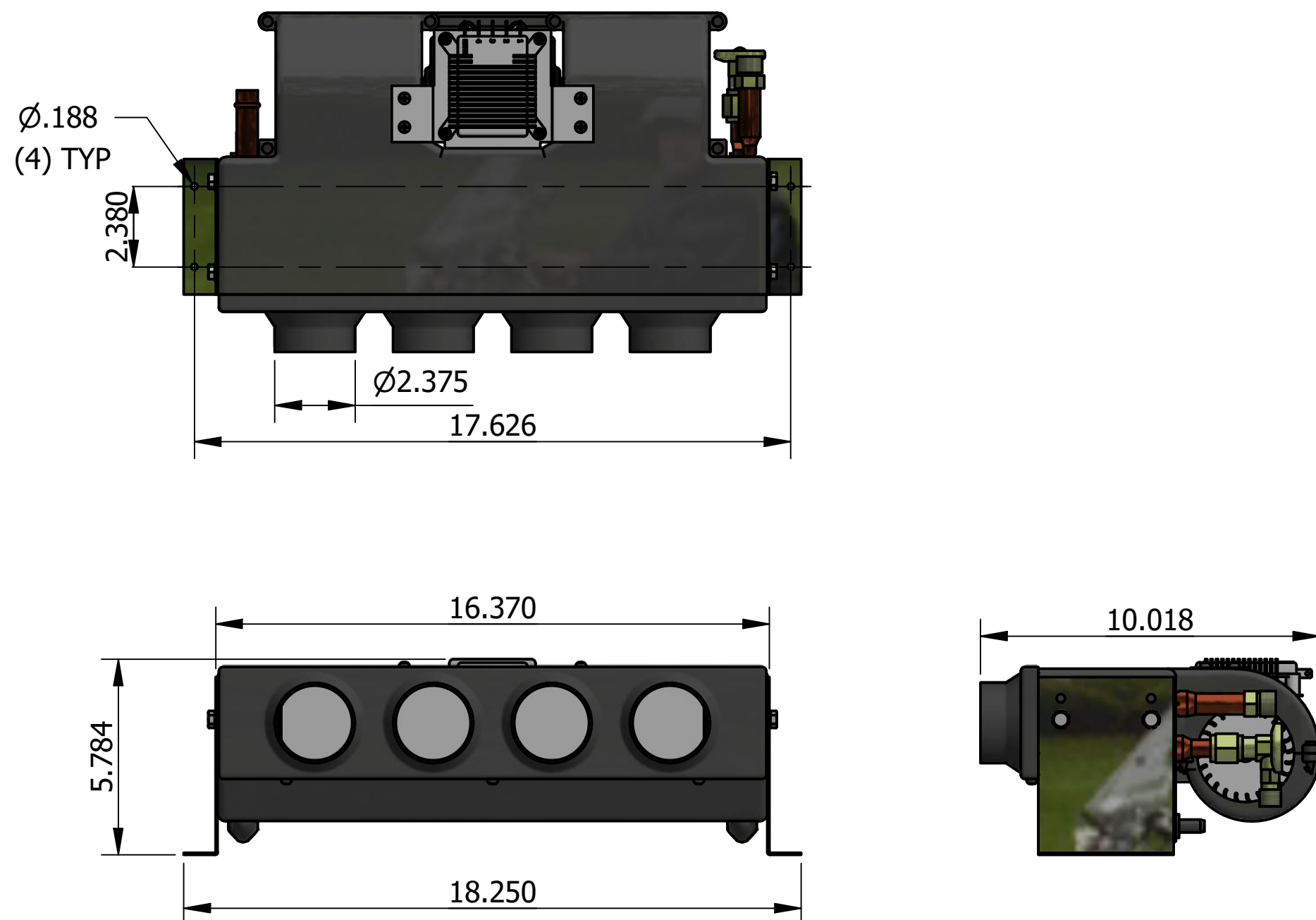


PARTS LIST			
ITEM	QTY	PART NUMBER	DESCRIPTION
1	4	02 000 077	WASHER, 1/4 EXT TOOTH
2	4	02 000 133	BOLT, 1/4-20 x 1/2 ZINC
3	2	06 000 076	BRACKET, CASE 1 X 4 X 5-1/4
4	1	66 000 298	FRIGIKING 902 HEAT COOL

MOUNT INFO



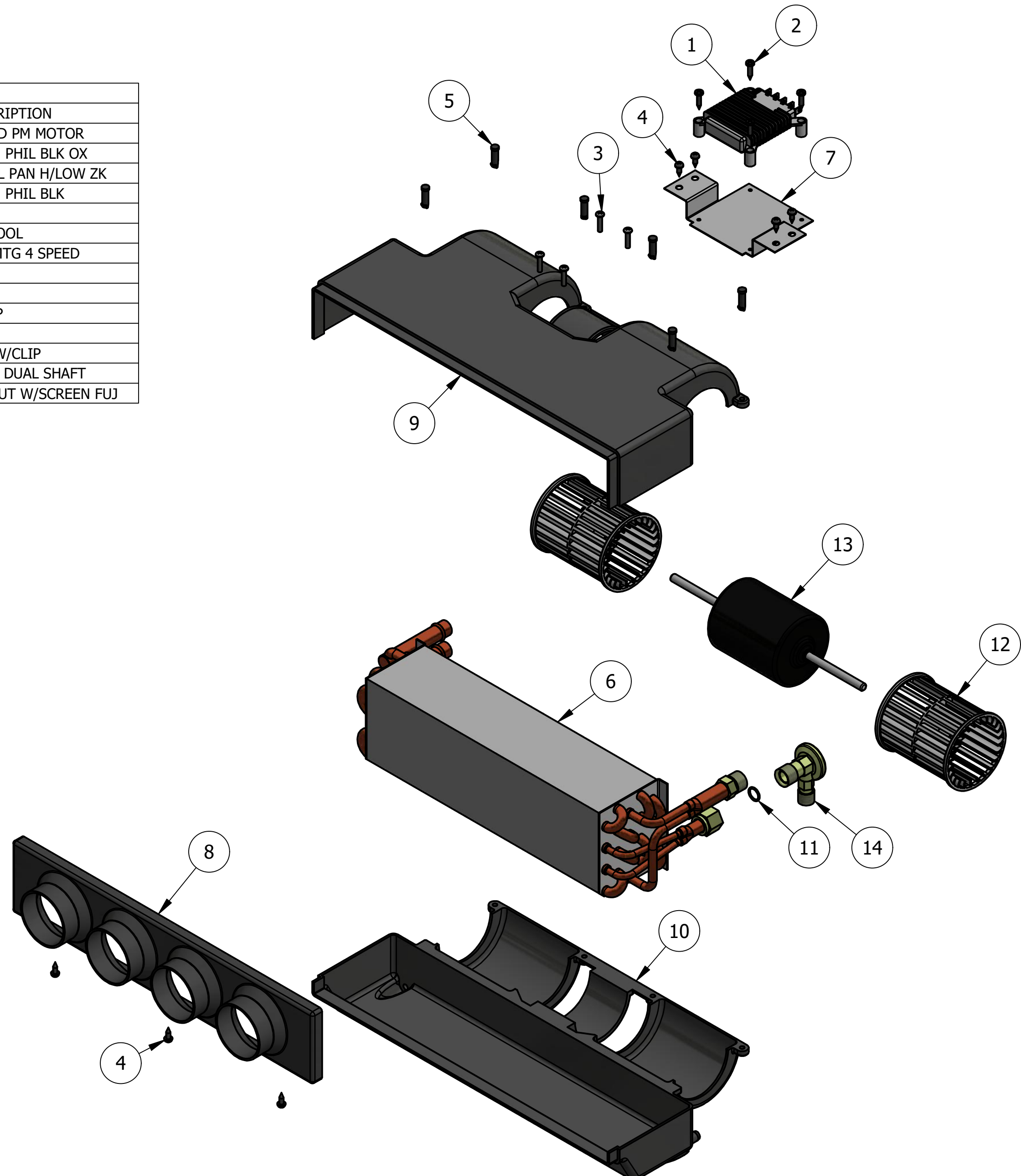
PROPRIETARY & CONFIDENTIAL. UNPUBLISHED WORK COPYRIGHT PRO AIR LLC. PRO AIR, LLC CLAIMS PROPRIETARY RIGHTS IN THE MATERIAL DISCLOSED HEREON. NEITHER THIS DRAWING NOR ANY REPRODUCTION OR PORTION THEREOF MAY BE DISTRIBUTED OR USED TO MANUFACTURE ANYTHING SHOWN HEREON WITHOUT PERMISSION IN WRITING FROM PROAIR, LLC.

REV. A

		SIGNATURES		DATE		TITLE:		PART NO. 50 001 311	
		DRAWN CEB		11/7/18		FRIGIKING 902 HEAT COOL		SCALE: .25 : 1 SIZE A	
		CHECKED RAI		11/7/18				SHEET 1 OF 2	
A	18-232	RELEASED TO PRODUCTION		CEB	11/7/18	USAGE: ALL			
LET.	NO.	REVISION		BY	DATE				



PARTS LIST - 66 000 298			
ITEM	QTY	PART NUMBER	DESCRIPTION
1	1	01 000 496	RESISTOR, 4 SPEED PM MOTOR
2	4	02 000 029	SCREW, 8 x 3/4 PH PHIL BLK OX
3	4	02 000 032	SCREW, 8x3/4 PHIL PAN H/LOW ZK
4	7	02 000 034	SCREW, 8 x 1/2 PH PHIL BLK
5	6	02 000 059	PIN, SNAP
6	1	03 000 178	COIL, 902 HEAT/COOL
7	1	06 000 983	BRKT, RESISTOR MTG 4 SPEED
8	1	07 000 026	NOSE, 4-HOLE
9	1	07 000 132	CASE TOP P/P
10	1	07 000 133	CASE, BOTTOM P/P
11	1	08 000 008	O-RING, #8 13/32
12	2	11 000 004	WHEEL, BLOWER W/CLIP
13	1	11 000 203	BLOWER ASSY, PM DUAL SHAFT
14	1	63 000 432	VALVE, EXPAN P-NUT W/SCREEN FUJ



PROPRIETARY & CONFIDENTIAL. UNPUBLISHED WORK COPYRIGHT PRO AIR LLC. PRO AIR, LLC CLAIMS PROPRIETARY RIGHTS IN THE MATERIAL DISCLOSED HEREON. NEITHER THIS DRAWING NOR ANY REPRODUCTION OR PORTION THEREOF MAY BE DISTRIBUTED OR USED TO MANUFACTURE ANYTHING SHOWN HEREON WITHOUT PERMISSION IN WRITING FROM PROAIR, LLC.

REV. A

A 18-232		RELEASED TO PRODUCTION		CEB	11/7/18	 2900 COUNTY RD 6 W ELKHART, IN 46514	TITLE:	FRIGIKING 902 HEAT COOL		PART NO.	50 001 311		
LET.	NO.	REVISION		BY	DATE		APPROVED	USAGE:	ALL		SCALE:	.3 : 1	SIZE
										SHEET	2	OF	2