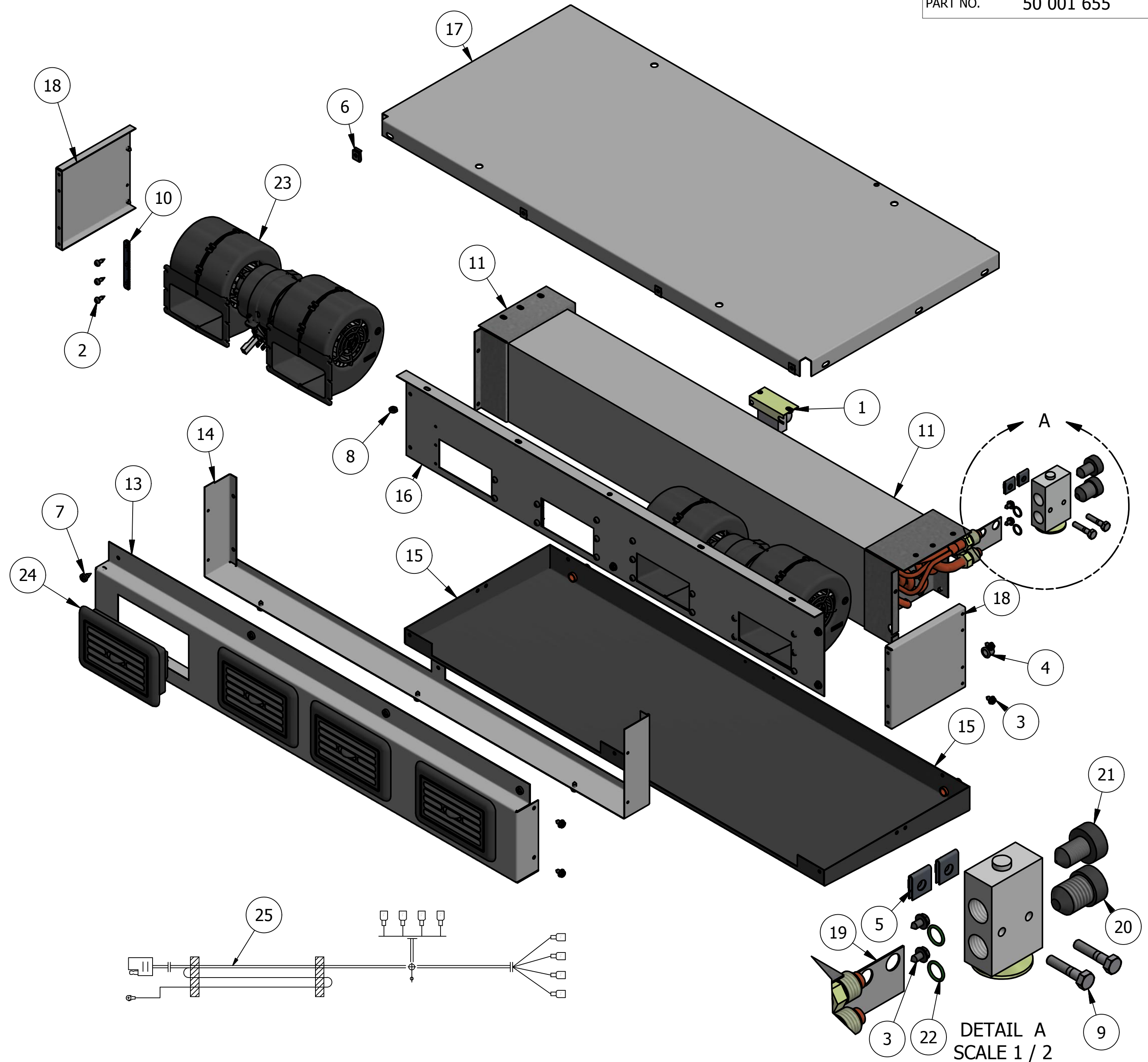
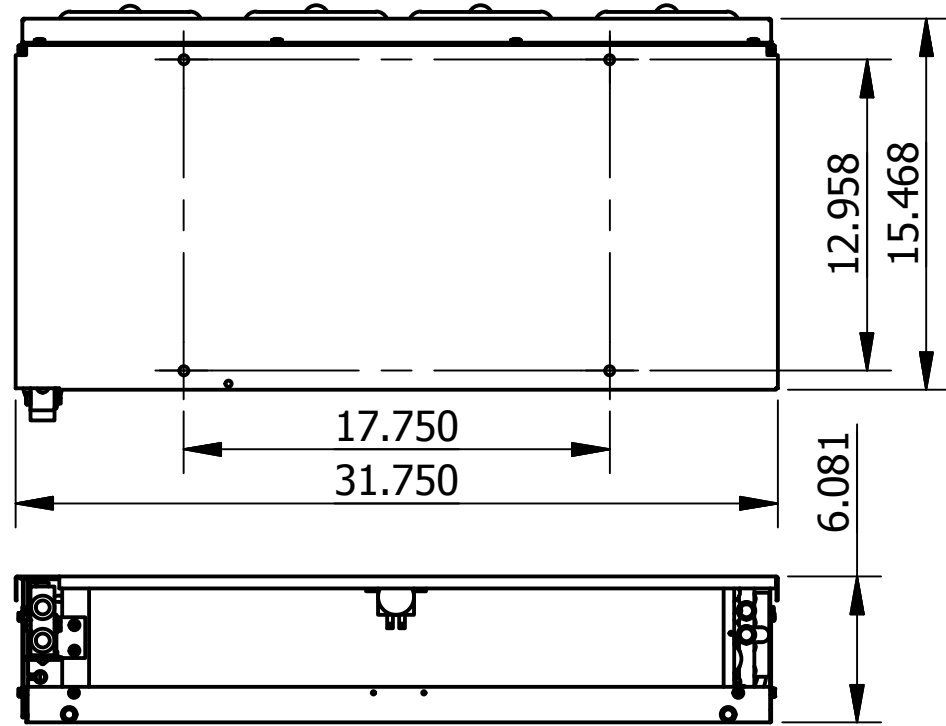


PARTS LIST			
ITEM	QTY	PART NUMBER	DESCRIPTION
1	1	01 000 351	T*STAT, NON-ADJ (31-39)
2	20	02 000 034	SCREW, 8 x 1/2 PH PHIL BLK
3	20	02 000 051	SCREW, 10x3/8 HEX WSHR TYPE-AB
4	1	02 000 055	GROMMET, 3/8" ID 1/2" OD
5	2	02 000 104	NUT, 1/4-20
6	4	02 000 106	SPEED CLIP, #10
7	4	02 000 107	SCREW, 10 x 1/2 PH PHIL BLK
8	13	02 000 115	NUT, 10-24 HEX ZINC
9	2	02 000 240	BOLT, 1/4-20 x 1 1/4 SS
10	8	02 000 254	BRKT, SPAL BLOWER SUPPORT
11	1	03 000 224	COIL, HEAT COOL
12	1	05 000 022	VALVE, EXPAN BLOCK 134a 2 TON
13	1	06 000 586	LOUVER BOX, FRT 530/560
14	1	06 000 587	TRANSITION, 530/560 LVR/BOX
15	1	06 000 590	DRAIN, PAN
16	1	06 000 592	BRACKET, BLOWER MOUNT
17	1	06 000 593	BASE, MOUNT 530/560
18	2	06 001 675	PLATE, SIDE
19	1	06 001 679	BRKT, EXP VALVE SUPPORT
20	1	07 000 648	CAP, MALE PLAS 7/8-18 W/SEAL BI
21	1	07 000 649	CAP, MALE PLAS 5/8-18 W/SEAL BI
22	2	08 000 008	O-RING, #8 13/32
23	2	11 000 156	BLOWER ASSY, 12v DBL SM W/SP RE
24	4	11 000 179	LOUVER, RECT 1 1/2 x 3 3/4 x 5
25	1	01 000 323	HARN, SPAL DUAL 530/560 WIRE



MOUNT INFO



PROPRIETARY & CONFIDENTIAL. UNPUBLISHED WORK COPYRIGHT PRO AIR LLC. PRO AIR, LLC CLAIMS PROPRIETARY RIGHTS IN THE MATERIAL DISCLOSED HEREON. NEITHER THIS DRAWING NOR ANY REPRODUCTION OR PORTION THEREOF MAY BE DISTRIBUTED OR USED TO MANUFACTURE ANYTHING SHOWN HEREON WITHOUT PERMISSION IN WRITING FROM PROAIR, LLC.

REV. A

A LET.		16-241 NO.	RELEASED TO PRODUCTION REVISION	CEB BY	8/23/16 DATE	SIGNATURES DRAWN CEB CHECKED RAI APPROVED	DATE 8/23/16 8/23/16	 2900 COUNTY RD 6 W ELKHART, IN 46514	TITLE: 560, TRANSBOX USAGE: 560 LOUVER BOX	PART NO. 50 001 655 SCALE: .25 : 1 SHEET 1 OF 1	SIZE A 1 OF 1
--------	--	------------	---------------------------------	--------	--------------	--	----------------------------	---	---	---	------------------