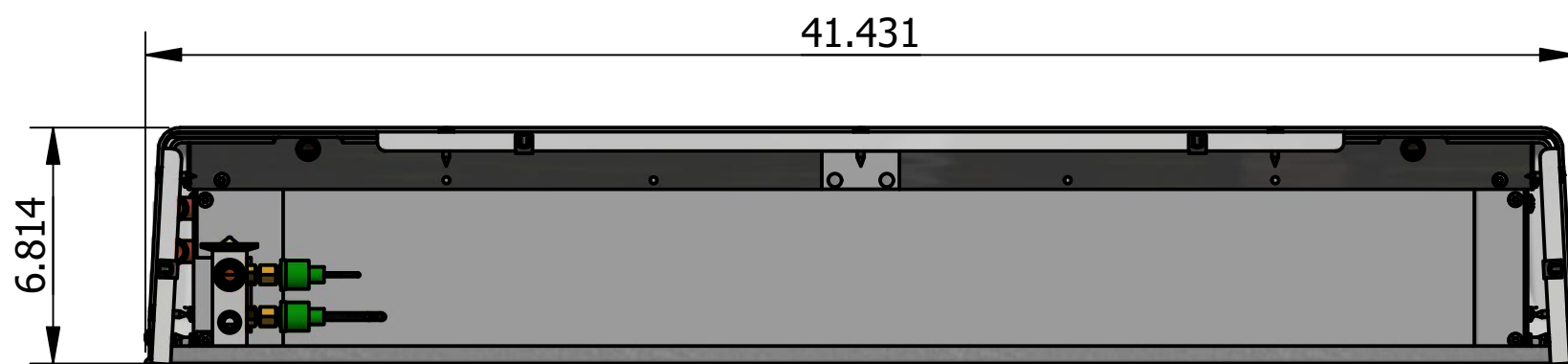
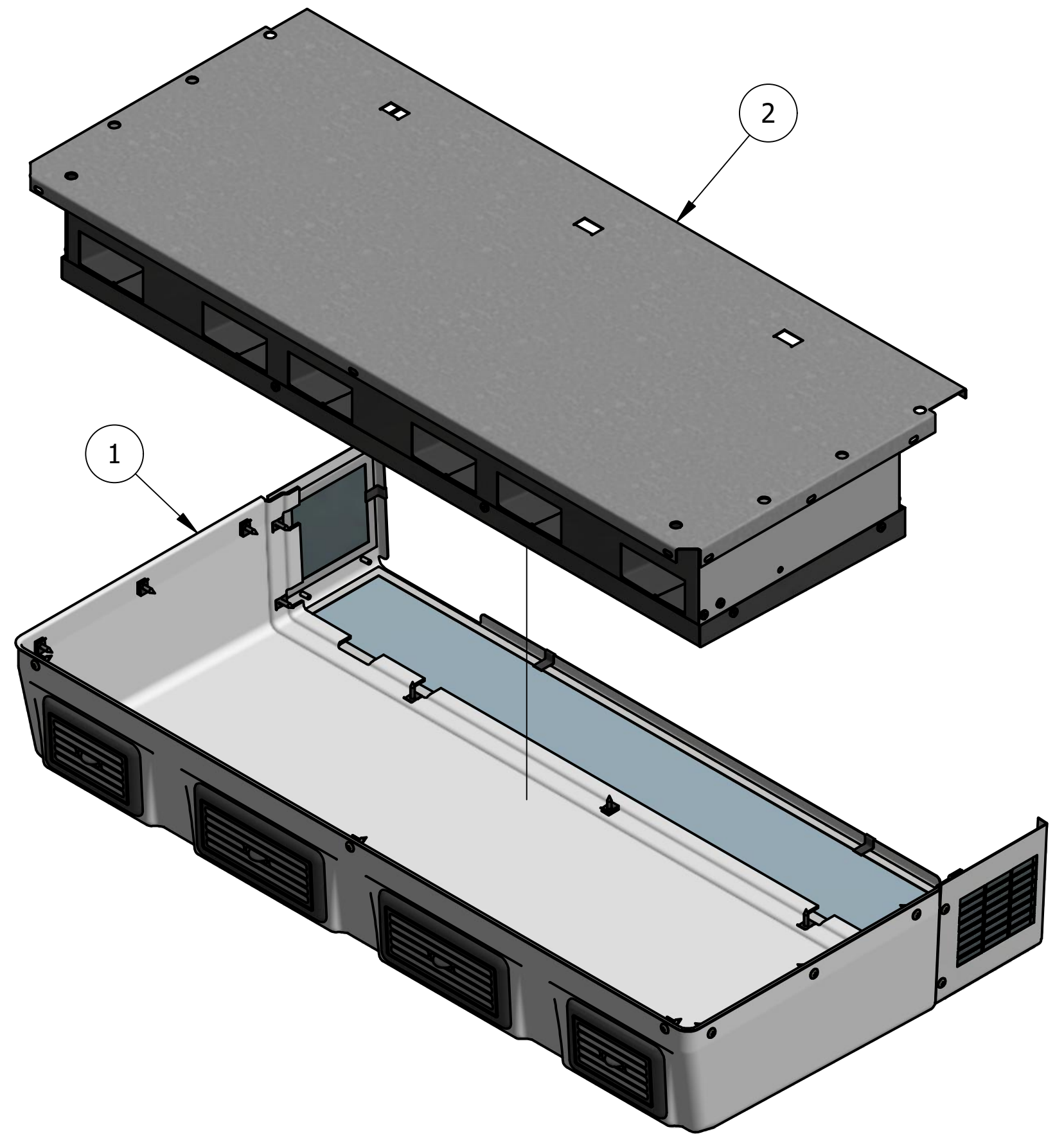
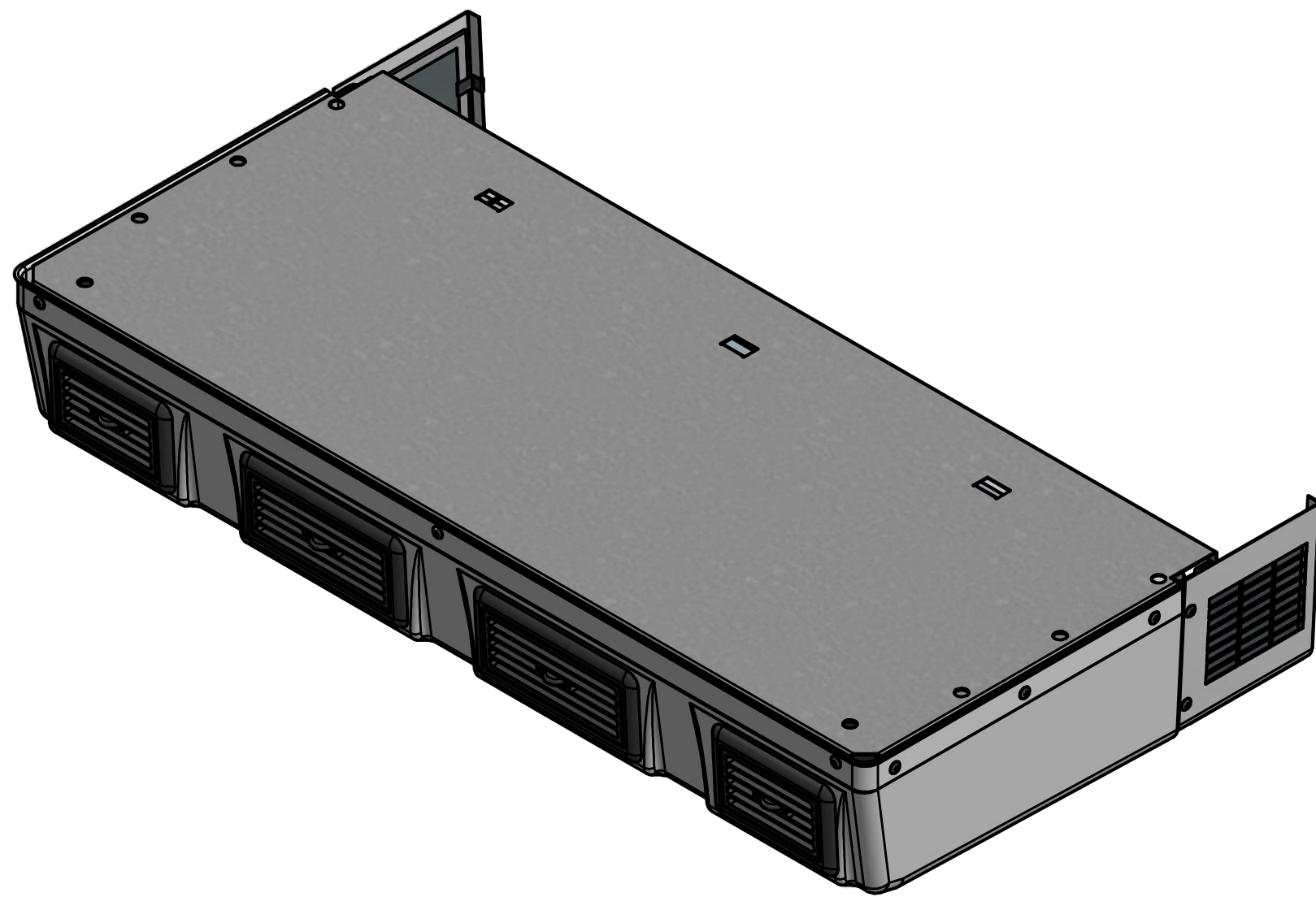
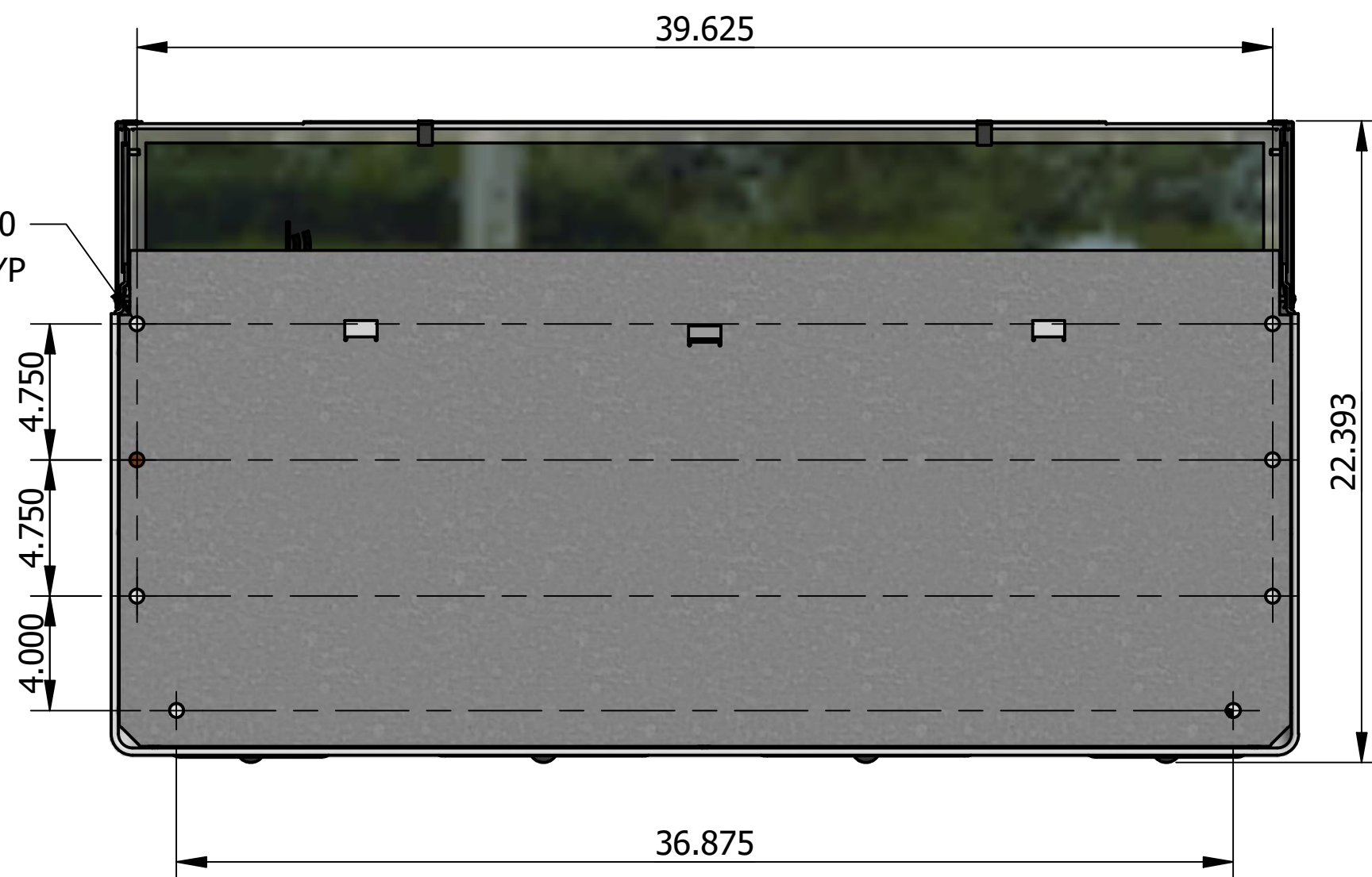


PARTS LIST			
ITEM	QTY	PART NUMBER	DESCRIPTION
1	1	60 001 607	COVER, 580/585
2	1	66 000 489	FRIGIKING, 585 HEAT COOL



MOUNT INFO



PROPRIETARY & CONFIDENTIAL. UNPUBLISHED WORK COPYRIGHT PRO AIR LLC. PRO AIR, LLC CLAIMS PROPRIETARY RIGHTS IN THE MATERIAL DISCLOSED HEREON. NEITHER THIS DRAWING NOR ANY REPRODUCTION OR PORTION THEREOF MAY BE DISTRIBUTED OR USED TO MANUFACTURE ANYTHING SHOWN HEREON WITHOUT PERMISSION IN WRITING FROM PROAIR, LLC.

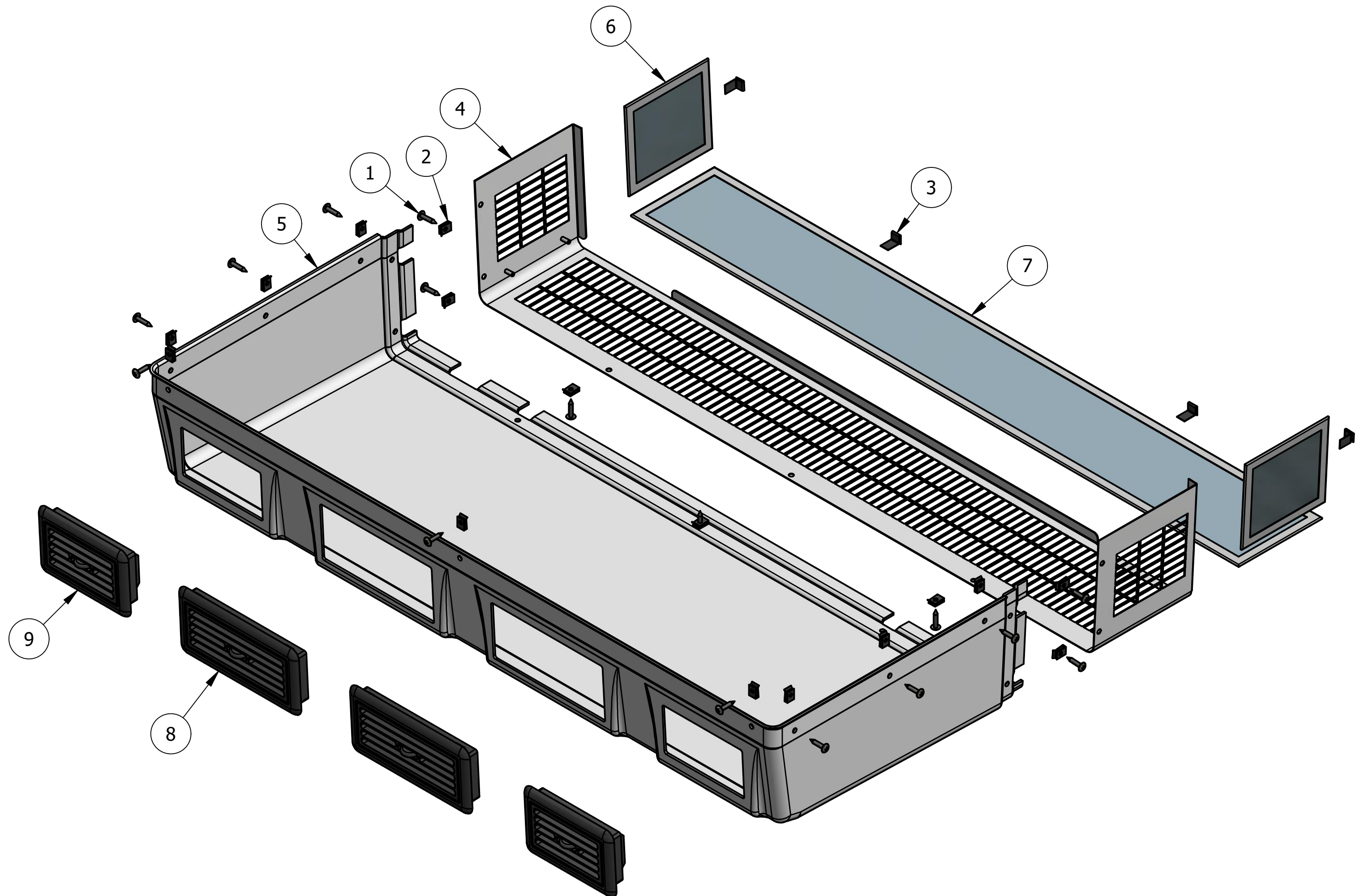
REV. A

A 18-232		RELEASED TO PRODUCTION		CEB	9/24/18	 2900 COUNTY RD 6 W ELKHART, IN 46514	TITLE:	FRIGIKING, 585 HEAT COOL		PART NO.	50 001 698	
LET.	NO.	REVISION	BY	DATE	APPROVED		USAGE:	ALL		SCALE:	.188 : 1	SIZE
				SIGNATURES		DATE			SHEET 1 OF 3			
				DRAWN	CEB	9/24/18						
				CHECKED	RAI	9/24/18						

PARTS LIST - 60 001 607

ITEM	QTY	PART NUMBER	DESCRIPTION
1	16	02 000 114	SCREW, 10 X 1" PHIL TRUSS HEAD
2	16	02 000 147	SPEED CLIP, .63 x .43 AT-INJ PNL
3	4	02 000 679	CLIP, FILTER MOUNTING
4	1	06 001 774	COVER, REAR INTAKE
5	1	07 000 694	UNIT COVER, 4 LOUVER
6	2	08 000 153	FILTER, 3/16 x 5 x 5 1/2 WASHABLE
7	1	08 000 235	FILTER, 3/16 x 5 1/2 x 40ALUM WASHABLE
8	2	11 000 128	LOUVER, RECTANGULAR / ROUND COR
9	2	11 000 179	LOUVER, RECT 1 1/2 x 3 3/4 x 5

PART NO. 50 001 698

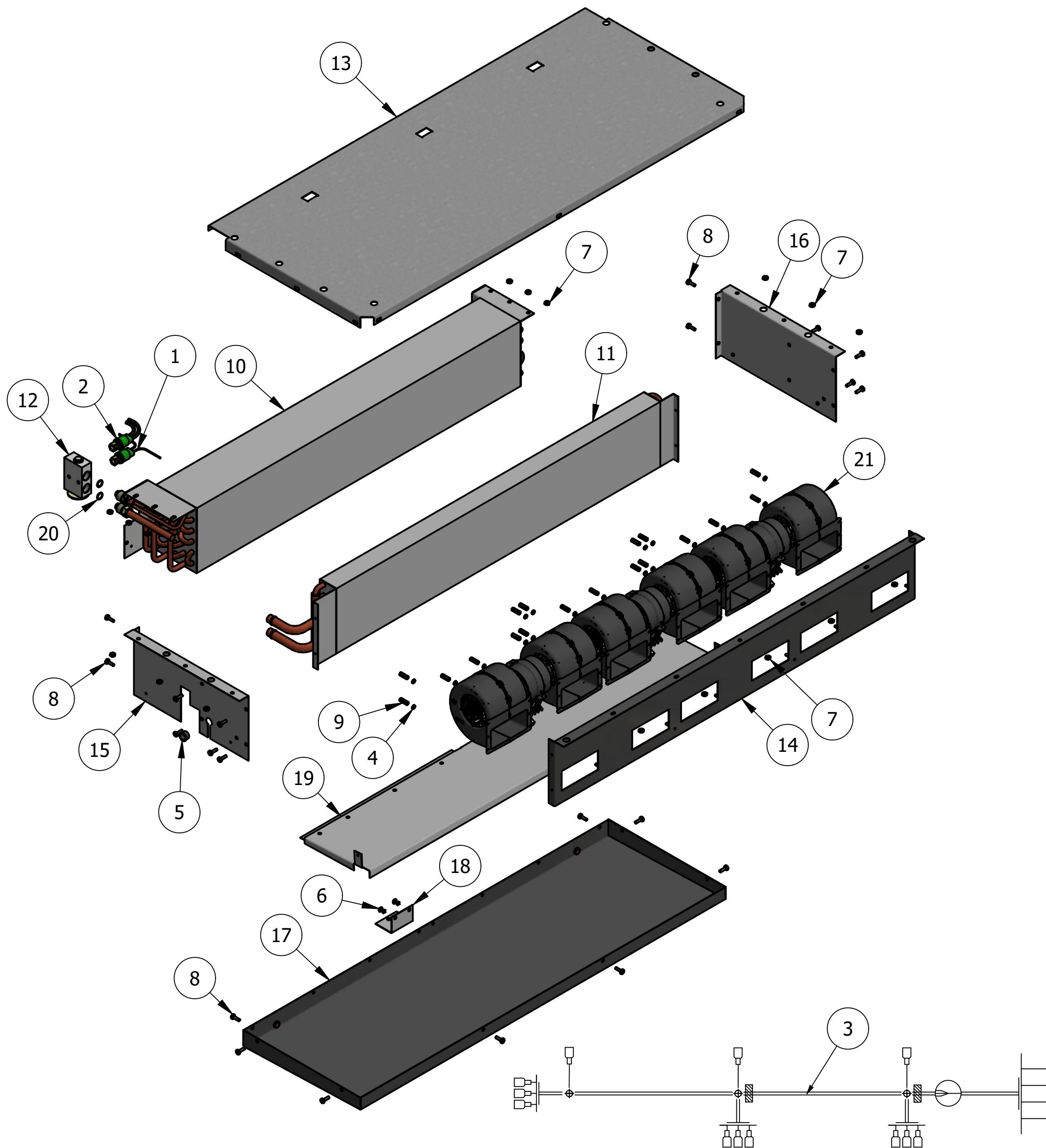


PROPRIETARY & CONFIDENTIAL. UNPUBLISHED WORK COPYRIGHT PRO AIR LLC. PRO AIR, LLC CLAIMS PROPRIETARY RIGHTS IN THE MATERIAL DISCLOSED HEREON. NEITHER THIS DRAWING NOR ANY REPRODUCTION OR PORTION THEREOF MAY BE DISTRIBUTED OR USED TO MANUFACTURE ANYTHING SHOWN HEREON WITHOUT PERMISSION IN WRITING FROM PROAIR, LLC.

REV. A

A 18-232		RELEASED TO PRODUCTION		CEB	9/24/18	 2900 COUNTY RD 6 W ELKHART, IN 46514	TITLE:	FRIGIKING, 585 HEAT COOL		PART NO.	50 001 698			
LET.	NO.	REVISION		BY	DATE		APPROVED	USAGE:	ALL		SCALE:	.188 : 1	SIZE	A
											SHEET	2	OF	3

ITEM	QTY	PART NUMBER	DESCRIPTION
1	1	01 000 339	SWITCH, LOW PRESSURE
2	1	01 000 340	SWITCH,HIGH PRESSURE
3	1	01 000 818	HARN, BLOWER 3 SPEED
4	18	02 000 045	WASHER, 3/16 SPLIT LOCK ZINC
5	1	02 000 056	GROMMET, 1/2" ID 5/8" OD
6	2	02 000 108	RIVET, SECONDARY HEAD
7	17	02 000 115	NUT, 10-24 HEX ZINC
8	22	02 000 163	SCREW,10-24 x 5/8 TYPE 23 THDCU
9	18	02 000 585	NUT, COUPLING 8-32, 3/4 x 1/4
10	1	03 000 227	COIL, A/C 6 x 34.5
11	1	03 000 228	COIL, HEAT - 6 x 34.5
12	1	05 001 163	VALVE, EXP BLOCK 134a 2t W/SWP
13	1	06 001 769	BASE, MOUNT
14	1	06 001 770	BRACKET, BLOWER MOUNT
15	1	06 001 771	PLATE, SIDE - PS
16	1	06 001 772	PLATE, SIDE - DS
17	1	06 001 773	DRAIN, PAN
18	1	06 001 775	BRKT, COVER SUPPORT
19	1	06 001 781	DRAIN PAN, PLATE C/O
20	2	08 000 008	O-RING, #8 13/32
21	3	11 000 156	BLOWER ASSY, 12v DBL SM W/SP RE



PROPRIETARY & CONFIDENTIAL. UNPUBLISHED WORK COPYRIGHT PRO AIR LLC. PRO AIR, LLC CLAIMS PROPRIETARY RIGHTS IN THE MATERIAL DISCLOSED HEREON. NEITHER THIS DRAWING NOR ANY REPRODUCTION OR PORTION THEREOF MAY BE DISTRIBUTED OR USED TO MANUFACTURE ANYTHING SHOWN HEREON WITHOUT PERMISSION IN WRITING FROM PROAIR, LLC.

REV. A

A 18-232		RELEASED TO PRODUCTION		CEB	9/24/18	<p>2900 COUNTY RD 6 W ELKHART, IN 46514</p>	TITLE:	FRIGIKING, 585 HEAT COOL		PART NO.	50 001 698			
LET.	NO.	REVISION		BY	DATE		APPROVED	USAGE:	ALL		SCALE:	.188 : 1	SIZE	A
											SHEET	3	OF	3