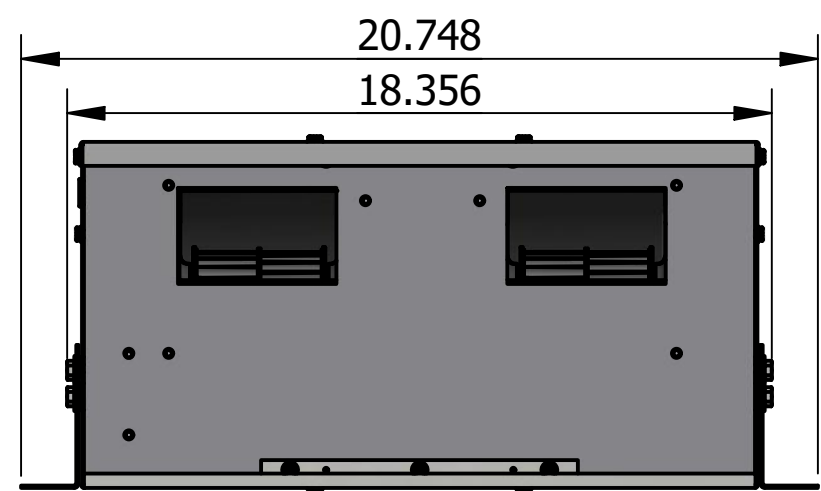
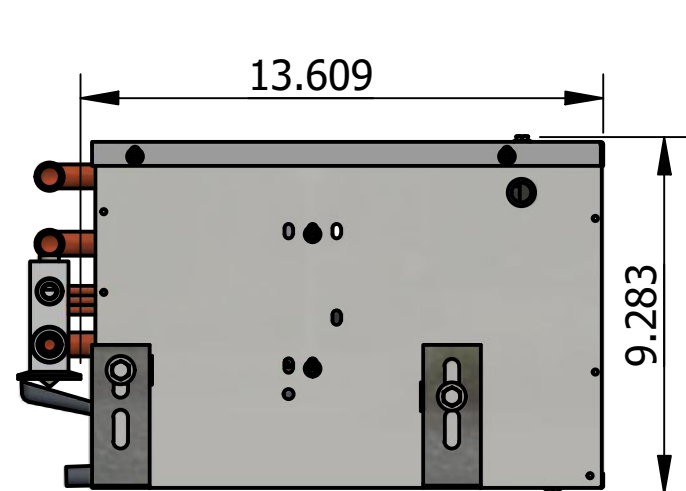
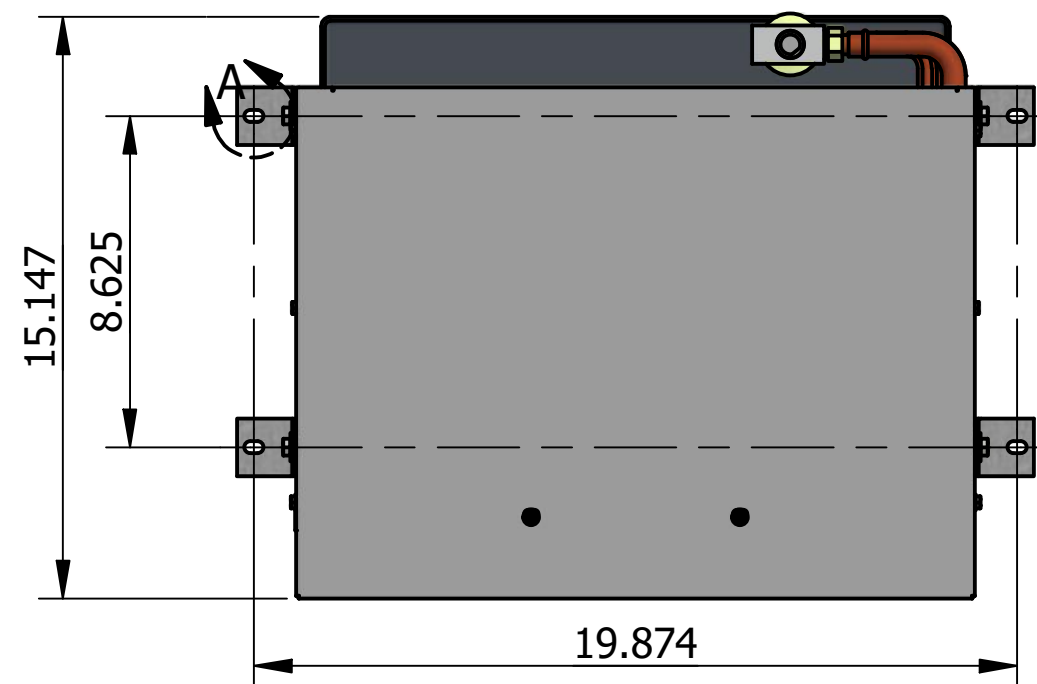
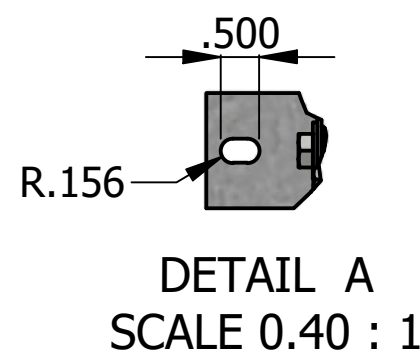


PARTS LIST			
ITEM	QTY	PART NUMBER	DESCRIPTION
1	1	01 000 073	HARN, BLOWER MOTOR
2	1	01 000 351	T'STAT, NON-ADJ (31-39)
3	4	02 000 043	WASHER, 1/4 FLAT ZINC
4	1	02 000 056	GROMMET, 1/2" ID 5/8" OD
5	4	02 000 104	NUT, 1/4-20 CAGE
6	4	02 000 133	BOLT, 1/4-20 x 1/2 ZINC
7	8	02 000 163	SCREW, 10-24 x 5/8 TYPE 23 THDCU
8	17	02 000 227	SCREW, 10 x 3/8 HEX WSHR TYPE A
9	1	03 000 143	COIL, H/C 935/940/941
10	1	05 000 022	VALVE, EXP BLOCK 134a 2T
11	2	06 000 060	BRKT, MOTOR MOUNT
12	4	06 000 167	MOUNTING BRACKET
13	1	06 000 168	DEFLECTOR, DRAIN PAN 935/940
14	1	06 000 180	CASE, BOTTOM 935
15	1	06 000 181	CASE, TOP
16	1	06 000 182	MOUNT, MOTOR
17	1	07 000 338	PAN, DRAIN., 935/940
18	2	08 000 008	O-RING, #8 13/32
19	1	11 000 214	BLOWER ASSY, W/RESIS 12V

**MOUNT INFO**



PROPRIETARY & CONFIDENTIAL. UNPUBLISHED WORK COPYRIGHT PRO AIR LLC. PRO AIR, LLC CLAIMS PROPRIETARY RIGHTS IN THE MATERIAL DISCLOSED HEREON. NEITHER THIS DRAWING NOR ANY REPRODUCTION OR PORTION THEREOF MAY BE DISTRIBUTED OR USED TO MANUFACTURE ANYTHING SHOWN HEREON WITHOUT PERMISSION IN WRITING FROM PROAIR, LLC.

REV. A

A 18-090		RELEASED TO PRODUCTION		CEB	8/17/18		TITLE:	PART NO. 66 000 004	
LET.	NO.	REVISION		BY	DATE		FRKG, POWERPACK 935 LEFT HAND	SCALE: .2 : 1	SIZE A
APPROVED						2900 COUNTY RD 6 W ELKHART, IN 46514	USAGE:	ALL	
								SHEET 1 OF 1	