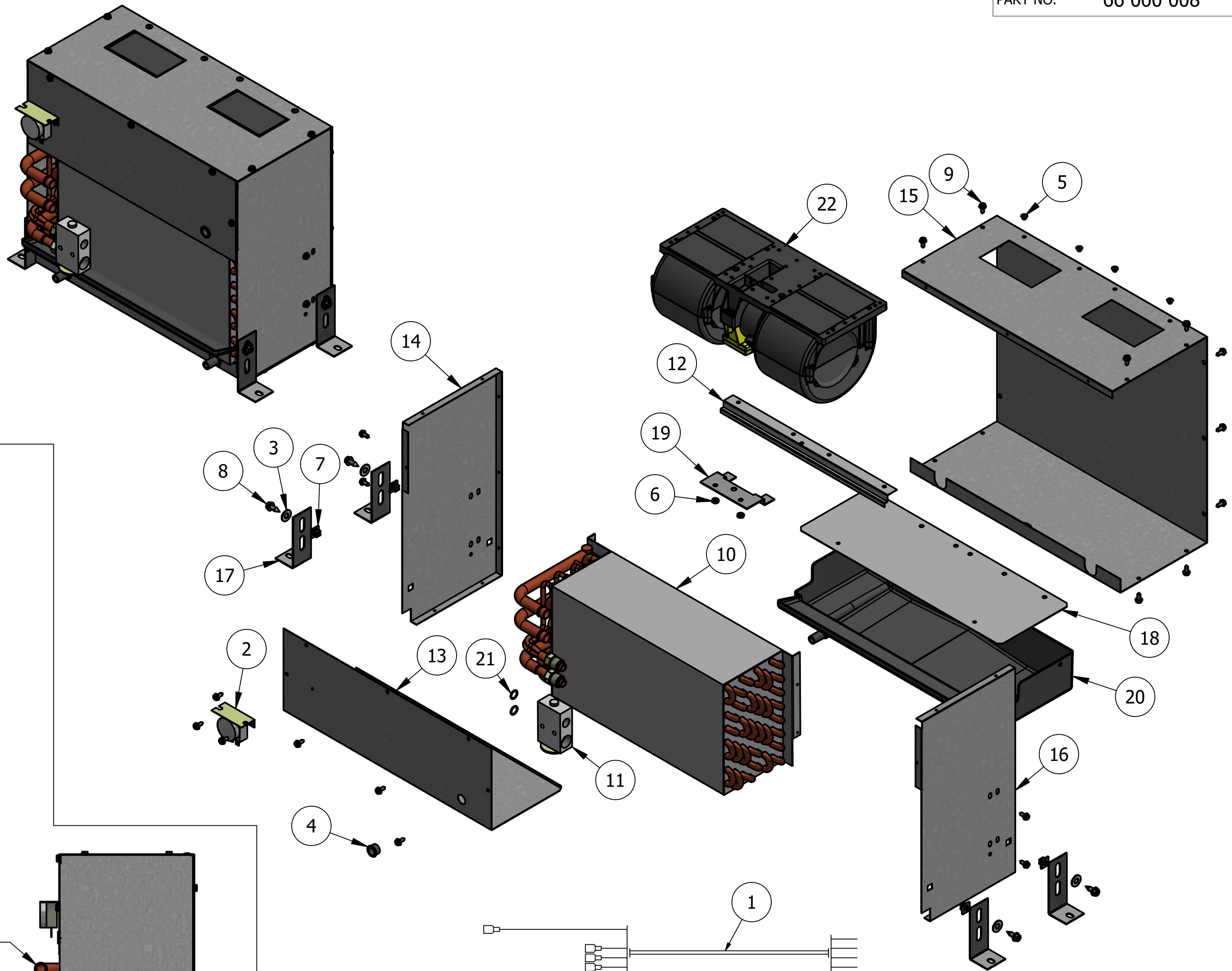
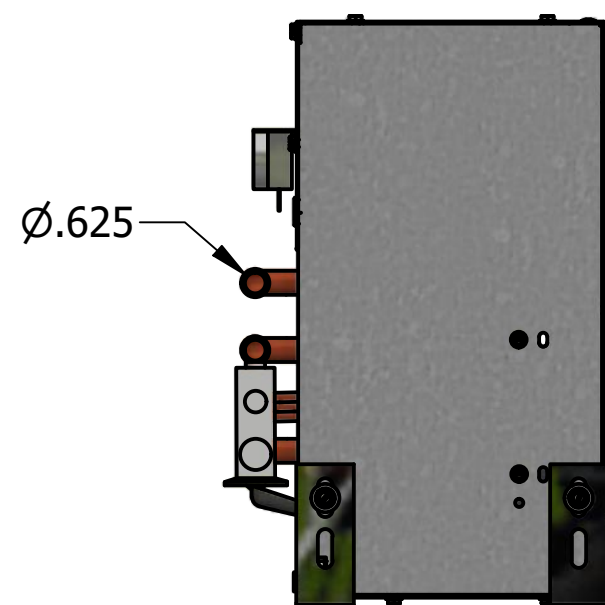
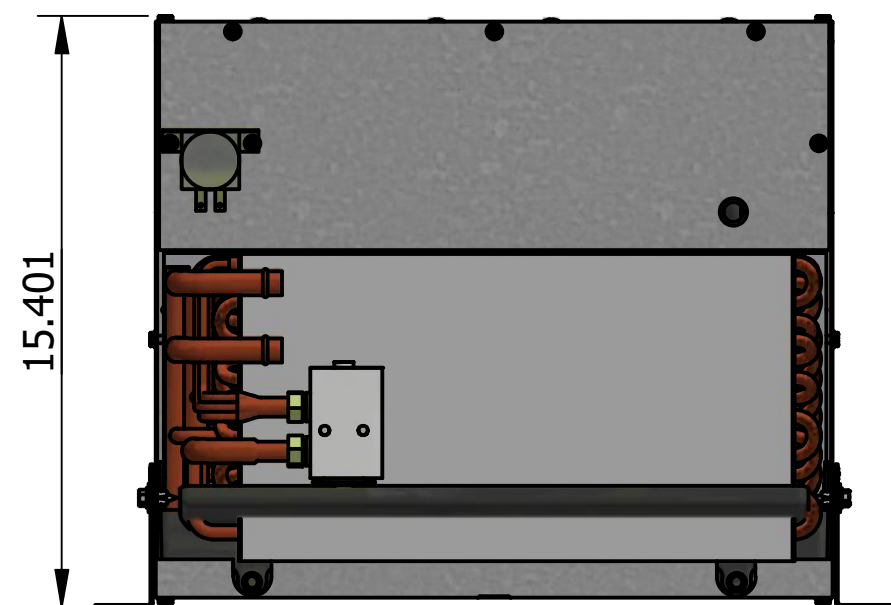
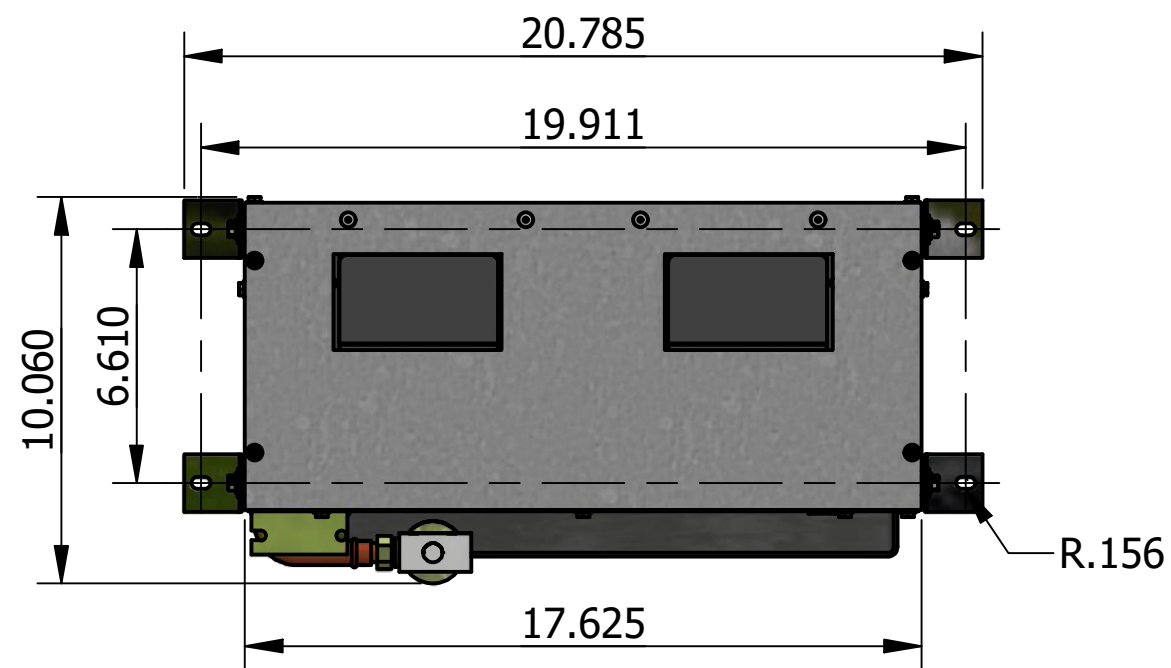


PARTS LIST			
ITEM	QTY	PART NUMBER	DESCRIPTION
1	1	01 000 071	HARN, 960 BLOWER
2	1	01 000 351	T*STAT, NON-ADJ (31-39)
3	4	02 000 043	WASHER, 1/4 FLAT ZINC
4	1	02 000 056	GROMMET, 1/2" ID 5/8" OD
5	4	02 000 096	RIVET, 3/16 x 9/32
6	2	02 000 115	NUT, 10-24 HEX ZINC
7	4	02 000 230	GROMMET, PANEL INSERT NYLON
8	4	02 000 398	SCREW, 14 x 3/4 SLT HEX WSHR SS
9	24	02 000 418	SCREW, 10x1/2 HEX WSHR TYPE AB
10	1	03 000 143	COIL, H/C 935/940/941
11	1	05 000 022	VALVE, EXPAN BLOCK 134a 2 TON
12	1	06 000 080	BRKT, LOWER BLOWER MOUNTING
13	1	06 000 152	PLATE, BLOWER DIVIDER 940 H/C
14	1	06 000 153	PANEL, LEFT SIDE 940 H/C
15	1	06 000 154	HOUSING, 940 H/C
16	1	06 000 159	PANEL, RT SIDE 940 H/C
17	4	06 000 167	MOUNTING BRACKET
18	1	06 000 168	DEFLECTOR, DRAIN PAN 935/940
19	1	06 001 193	BRACKET, BLOWER SUPPORT LONG
20	1	07 000 338	PAN, DRAIN 935/940
21	2	08 000 008	O-RING, #8 13/32
22	1	11 000 214	BLOWER ASSY, W/RESIS, 12v UNIM

MOUNT INFO



PROPRIETARY & CONFIDENTIAL. UNPUBLISHED WORK COPYRIGHT PRO AIR LLC. PRO AIR, LLC CLAIMS PROPRIETARY RIGHTS IN THE MATERIAL DISCLOSED HEREON. NEITHER THIS DRAWING NOR ANY REPRODUCTION OR PORTION THEREOF MAY BE DISTRIBUTED OR USED TO MANUFACTURE ANYTHING SHOWN HEREON WITHOUT PERMISSION IN WRITING FROM PROAIR, LLC.

REV. A

A		18-232		RELEASED TO PRODUCTION		CEB		11/14/18		 2900 COUNTY RD 6 W ELKHART, IN 46514		TITLE:		PART NO. 66 000 008	
LET.		NO.		REVISION		BY		DATE				APPROVED		FRKG, 940 H/C UNIT	
										USAGE:		ALL		SIZE A	
												SHEET 1		OF 1	