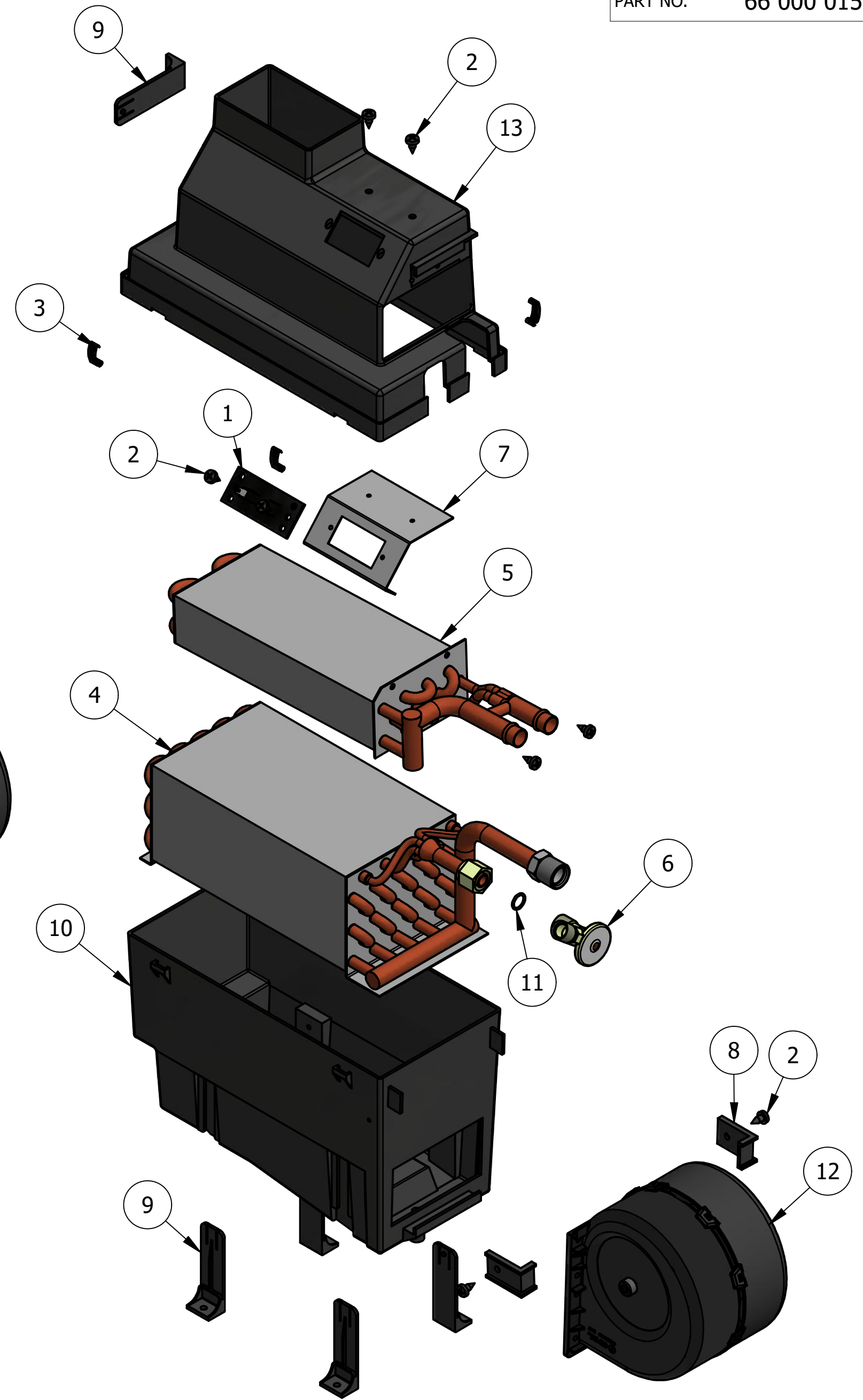
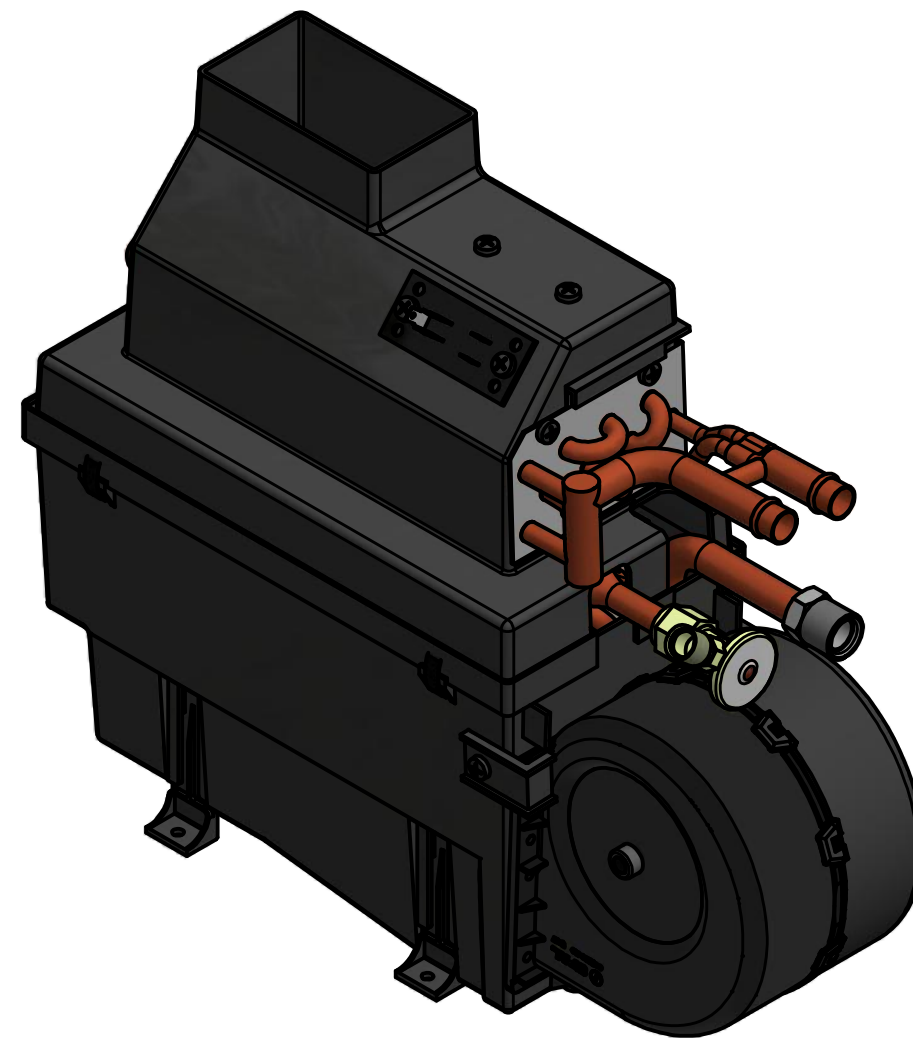
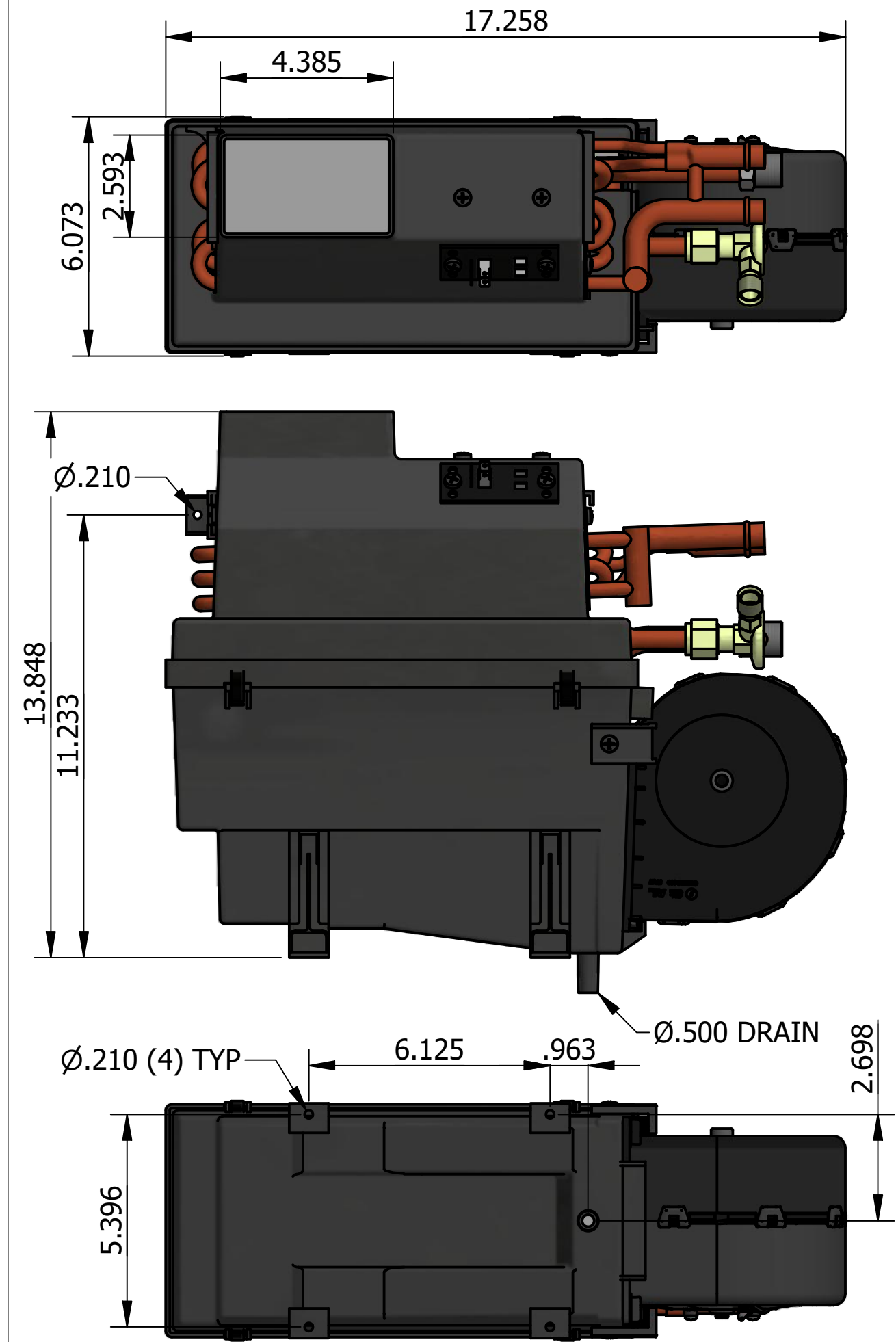


PARTS LIST			
ITEM	QTY	PART NUMBER	DESCRIPTION
1	1	01 000 091	RESISTOR, BLOWER AT/MM
2	8	02 000 107	SCREW, 10 x 1/2 PH PHIL BLK
3	4	02 000 122	CLIP, HOUSING AT INJ CASE
4	1	03 000 036	COIL, A/C MM
5	1	03 000 055	COIL, HEAT
6	1	05 000 458	VALVE, EXPAN FK 1.0 TON O-RING
7	1	06 000 107	BRACKET, RESISTOR MTG
8	2	07 000 371	BRACKET, MOTOR RETAINER
9	5	07 000 372	BRACKET, LEG
10	1	07 000 373	CASE, BOTTOM 1100 INJ CASE
11	1	08 000 008	O-RING, #8 13/32
12	1	11 000 074	MOTOR, BLWR ASS'Y AT
13	1	60 001 151	CASE TOP, MM

PART NO. 66 000 015

MOUNT INFO



PROPRIETARY & CONFIDENTIAL. UNPUBLISHED WORK COPYRIGHT PRO AIR LLC. PRO AIR, LLC CLAIMS PROPRIETARY RIGHTS IN THE MATERIAL DISCLOSED HEREON. NEITHER THIS DRAWING NOR ANY REPRODUCTION OR PORTION THEREOF MAY BE DISTRIBUTED OR USED TO MANUFACTURE ANYTHING SHOWN HEREON WITHOUT PERMISSION IN WRITING FROM PROAIR, LLC.

REV. A

A 18-232		RELEASED TO PRODUCTION		CEB	9/13/18	 <b>2900 COUNTY RD 6 W ELKHART, IN 46514</b>	TITLE:	MINI MAX, HEAT COOL		PART NO.	66 000 015		
LET.	NO.	REVISION		BY	DATE		APPROVED	USAGE:	ALL		SCALE:	.3 : 1	SIZE
										SHEET	1	OF	1