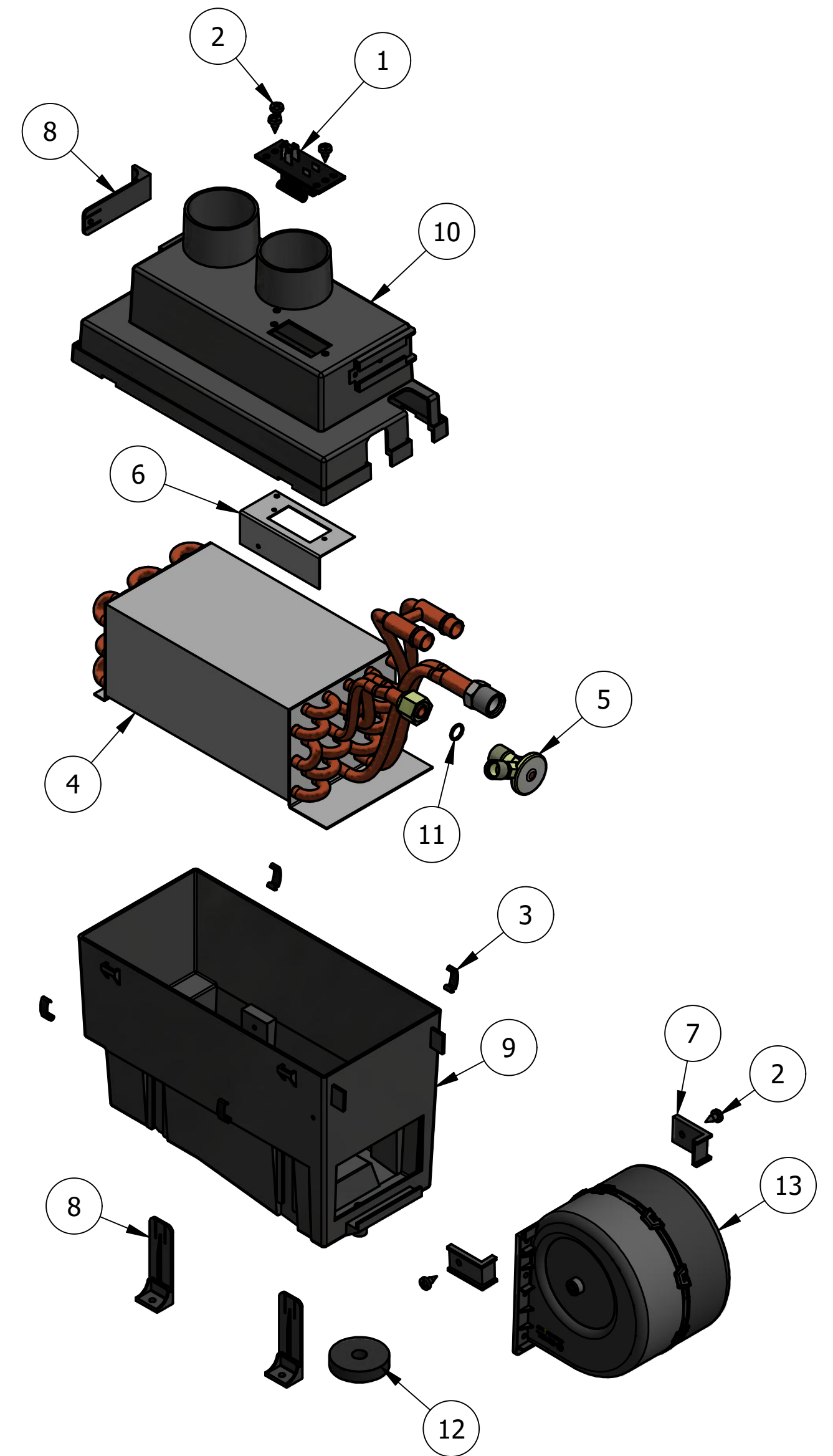
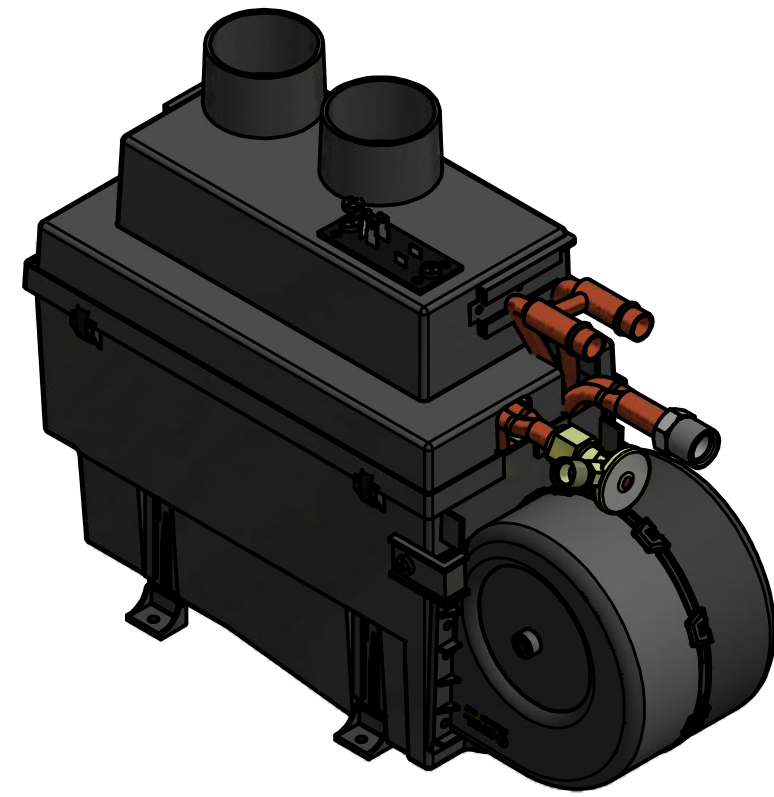
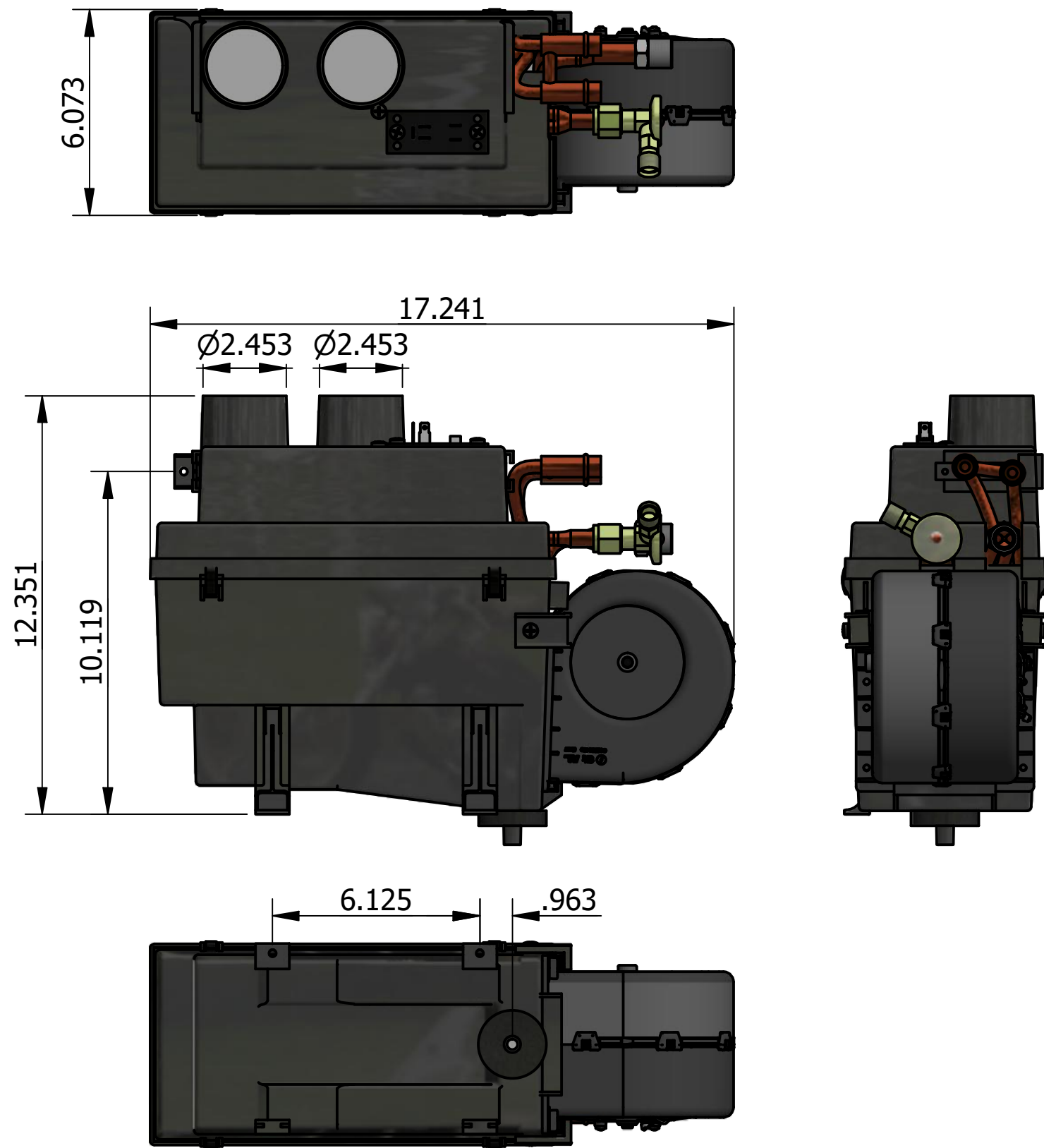


PARTS LIST

| ITEM | QTY | PART NUMBER | DESCRIPTION |
|------|-----|-------------|--------------------------------|
| 1 | 1 | 01 000 091 | RESISTOR, BLOWER AT/MM |
| 2 | 5 | 02 000 107 | SCREW, 10 x 1/2 PH PHIL BLK |
| 3 | 4 | 02 000 122 | CLIP, HOUSING AT INJ CASE |
| 4 | 1 | 03 000 037 | COIL, 1100 HEAT COOL |
| 5 | 1 | 05 000 458 | VALVE, EXPAN FK 1.0 TON O-RING |
| 6 | 1 | 06 000 305 | BRKT, RESISTOR ATII |
| 7 | 2 | 07 000 371 | BRACKET, MOTOR RETAINER |
| 8 | 3 | 07 000 372 | BRACKET, LEG |
| 9 | 1 | 07 000 373 | CASE, BOTTOM 1100 INJ CASE |
| 10 | 1 | 07 000 419 | CASE, TOP 1100 S2 |
| 11 | 1 | 08 000 008 | O-RING, #8 13/32 |
| 12 | 1 | 08 000 029 | SEAL, DR NIPPLE PWR PAK |
| 13 | 1 | 11 000 074 | MOTOR, BLWR ASS'Y AT |

MOUNT INFO



PROPRIETARY & CONFIDENTIAL. UNPUBLISHED WORK COPYRIGHT PRO AIR LLC. PRO AIR, LLC CLAIMS PROPRIETARY RIGHTS IN THE MATERIAL DISCLOSED HEREON. NEITHER THIS DRAWING NOR ANY REPRODUCTION OR PORTION THEREOF MAY BE DISTRIBUTED OR USED TO MANUFACTURE ANYTHING SHOWN HEREON WITHOUT PERMISSION IN WRITING FROM PROAIR, LLC.

REV. 1

| | | | | | | | | | | | | | | | |
|------|-----|----------|--|------------------------|------|----------|--|---------|--|--------------------------------------|----------------|---------|---------------------|--------|--|
| A | | 18-232 | | RELEASED TO PRODUCTION | | CEB | | 9/18/18 | | | TITLE: | | PART NO. 66 000 049 | | |
| LET. | NO. | REVISION | | BY | DATE | APPROVED | | | | | 1100, SERIES 2 | | SCALE: .25 : 1 | SIZE A | |
| | | | | | | | | | | 2900 COUNTY RD 6 W ELKHART, IN 46514 | | USAGE: | | ALL | |
| | | | | | | | | | | | | SHEET 1 | | OF 1 | |