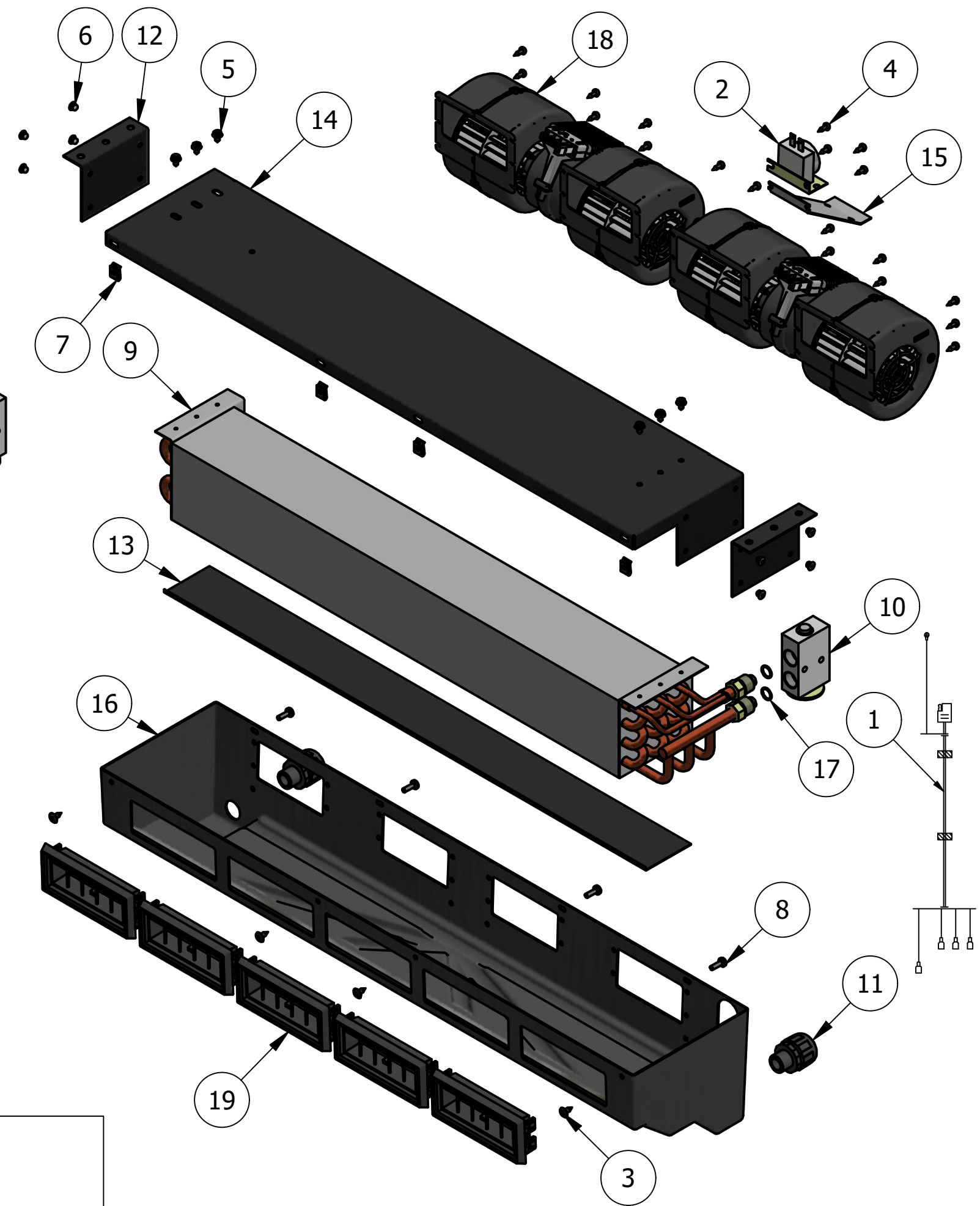
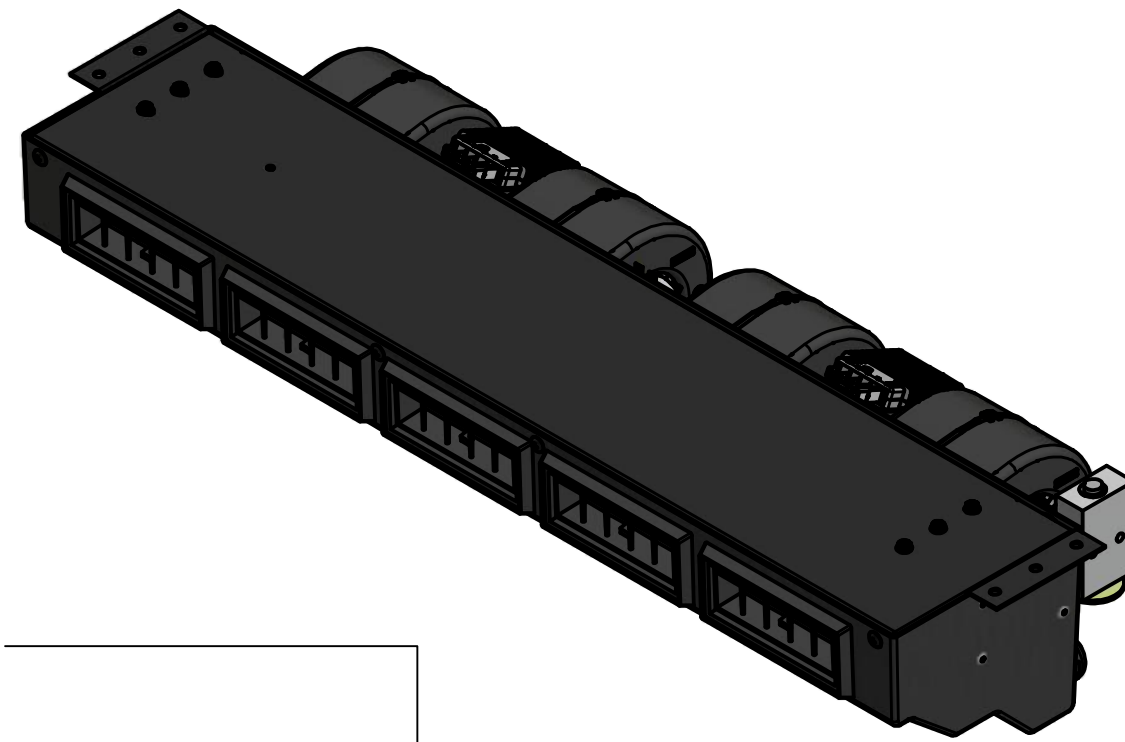
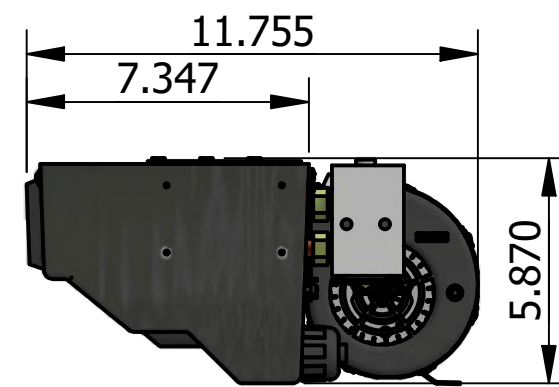
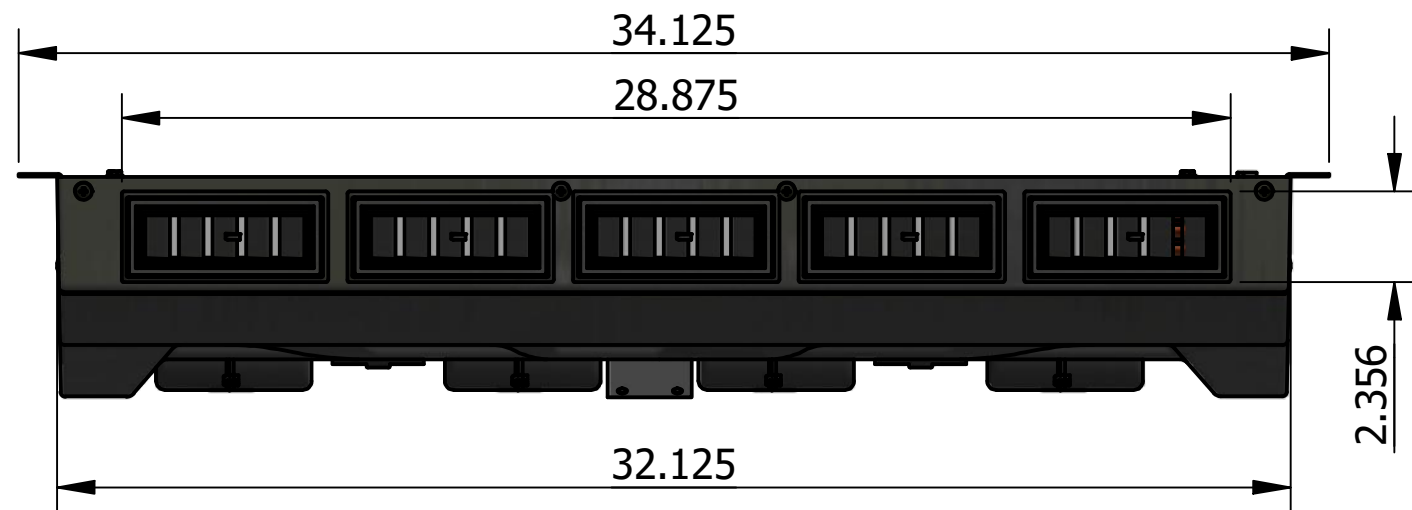
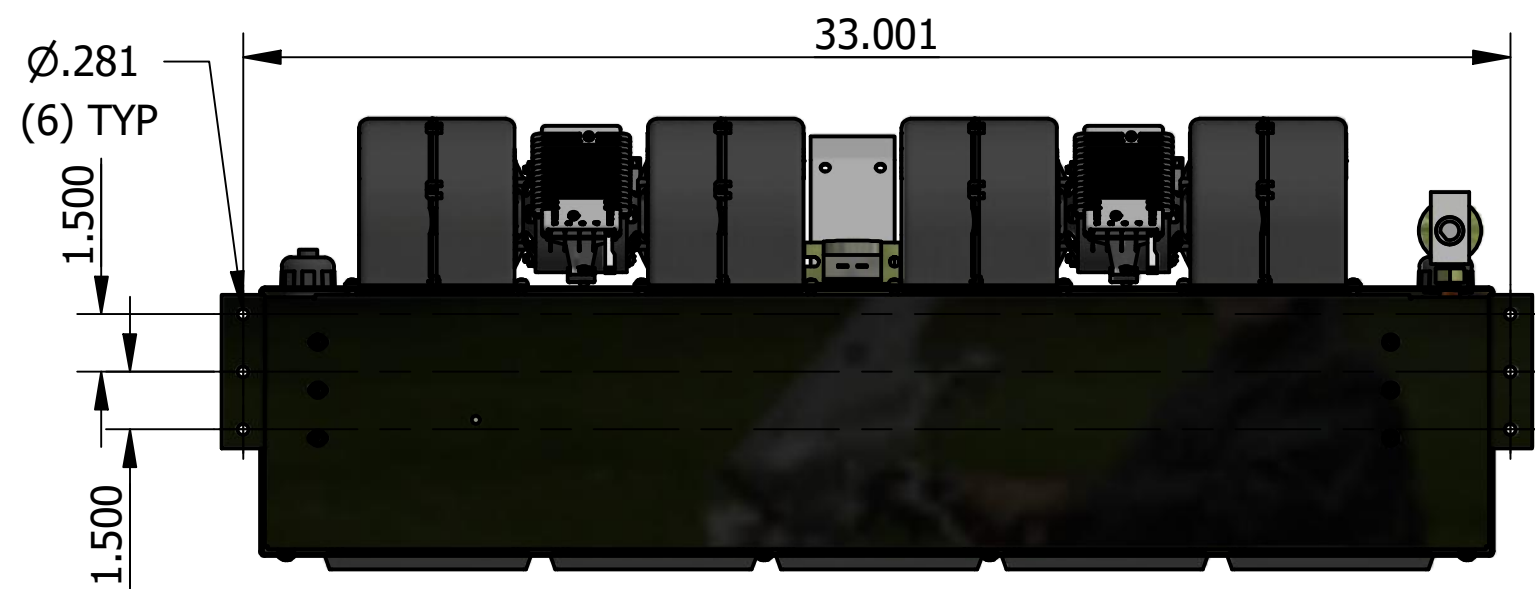


PARTS LIST			
ITEM	QTY	PART NUMBER	DESCRIPTION
1	2	01 000 154	HARNES, WIRE BLOWER
2	1	01 000 351	T'STAT, NON-ADJ (31-39)
3	4	02 000 024	SCREW, 10 X 1/2 TRUSS HD PHIL BL
4	20	02 000 034	SCREW, 8 x 1/2 PH PHIL BLK
5	6	02 000 051	SCREW, 10x3/8 HEX WSHR TYPE-AB
6	8	02 000 096	RIVET, 3/16 x 9/32
7	4	02 000 106	SPEED CLIP, #10
8	4	02 000 163	SCREW,10-24 x 5/8 TYPE 23 THDCU
9	1	03 000 004	COIL, COOL ONLY EVAP 526
10	1	05 000 022	VALVE, EXP BLOCK 134a 2T
11	2	05 000 308	NIPPLE, DRAIN LIQUID TITE
12	2	06 000 006	BRACKET, MOTOR MOUNTING 1.125 x 2.883 x 4
13	1	06 000 112	PLATE, EVAPORATOR
14	1	06 000 421	BASE, MTR MNT BLOWER 526/552
15	1	06 000 483	BRACKET, DRAIN HOSE SUPPORT
16	1	07 000 459	CASE, BOTTOM 526 COOL ONLY
17	2	08 000 008	O-RING, #8 13/32
18	2	11 000 156	BLOWER ASSY, 12v DBL SM W/SP RE
19	5	11 000 186	LOUVER, SNAP IN W/O ADV

PART NO. 66 000 117



MOUNT INFO



PROPRIETARY & CONFIDENTIAL. UNPUBLISHED WORK COPYRIGHT PRO AIR LLC. PRO AIR, LLC CLAIMS PROPRIETARY RIGHTS IN THE MATERIAL DISCLOSED HEREON. NEITHER THIS DRAWING NOR ANY REPRODUCTION OR PORTION THEREOF MAY BE DISTRIBUTED OR USED TO MANUFACTURE ANYTHING SHOWN HEREON WITHOUT PERMISSION IN WRITING FROM PROAIR, LLC.

REV. A

A 18-232		RELEASED TO PRODUCTION		CEB	9/19/18		TITLE:	FRIGIKING, 526 COOL ONLY		PART NO.	66 000 117		
LET.	NO.	REVISION		BY	DATE		APPROVED	USAGE:	ALL		SCALE:	.2 : 1	SIZE
										SHEET	1	OF	1

2900 COUNTY RD 6 W ELKHART, IN 46514