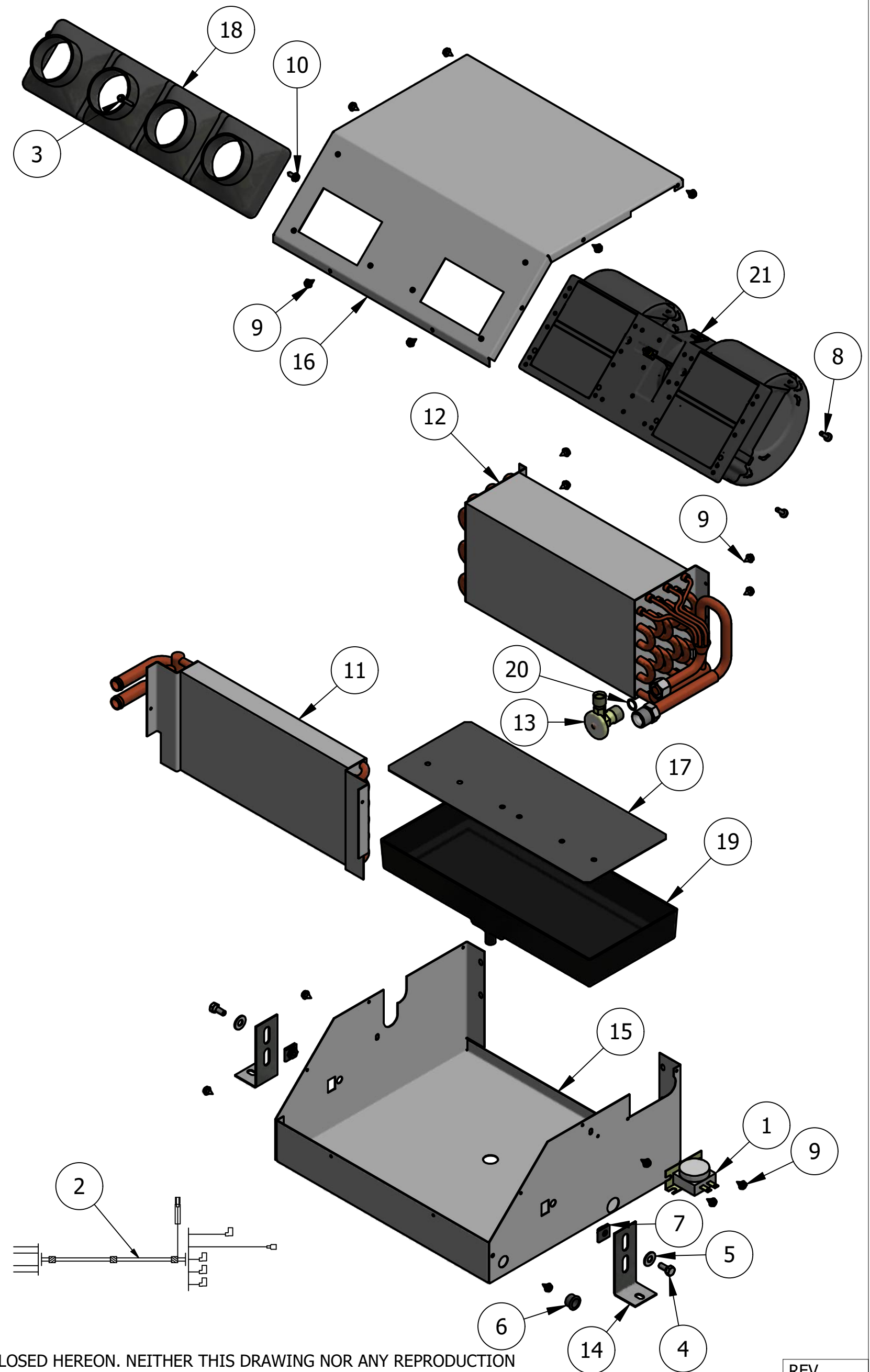
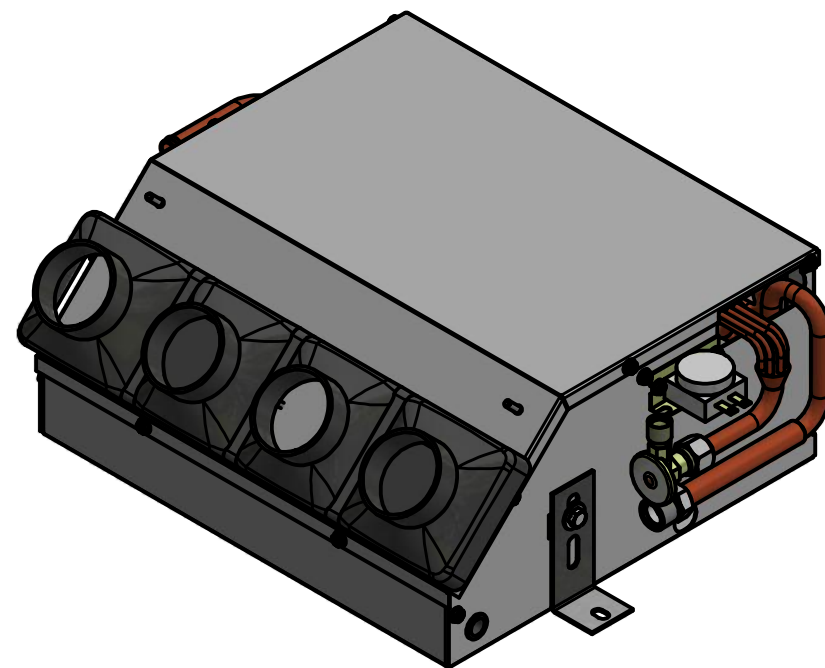
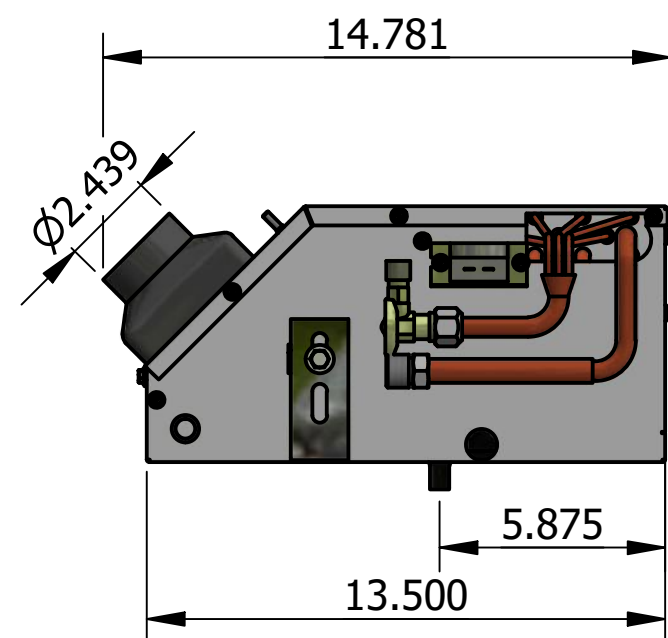
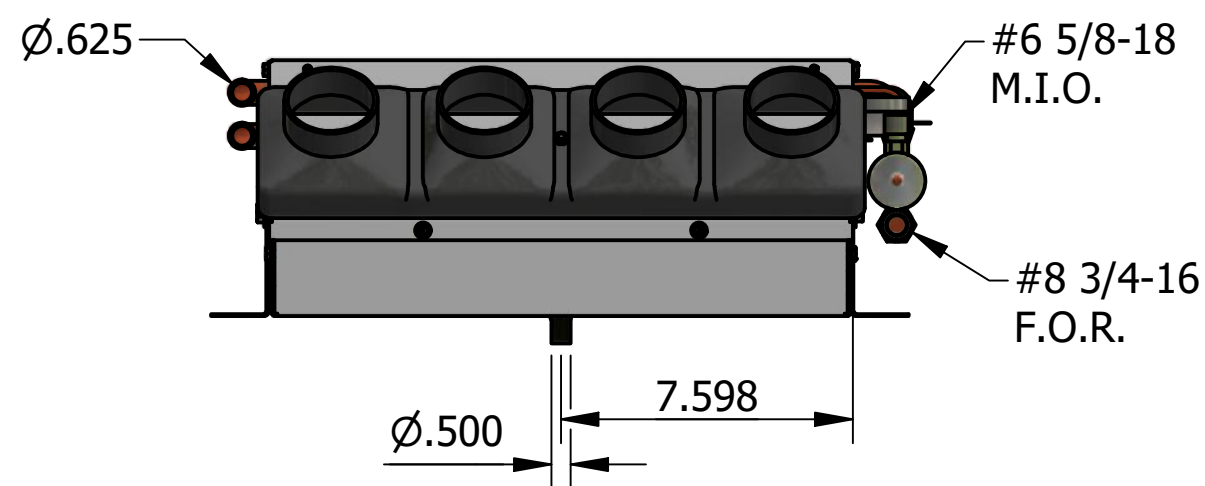
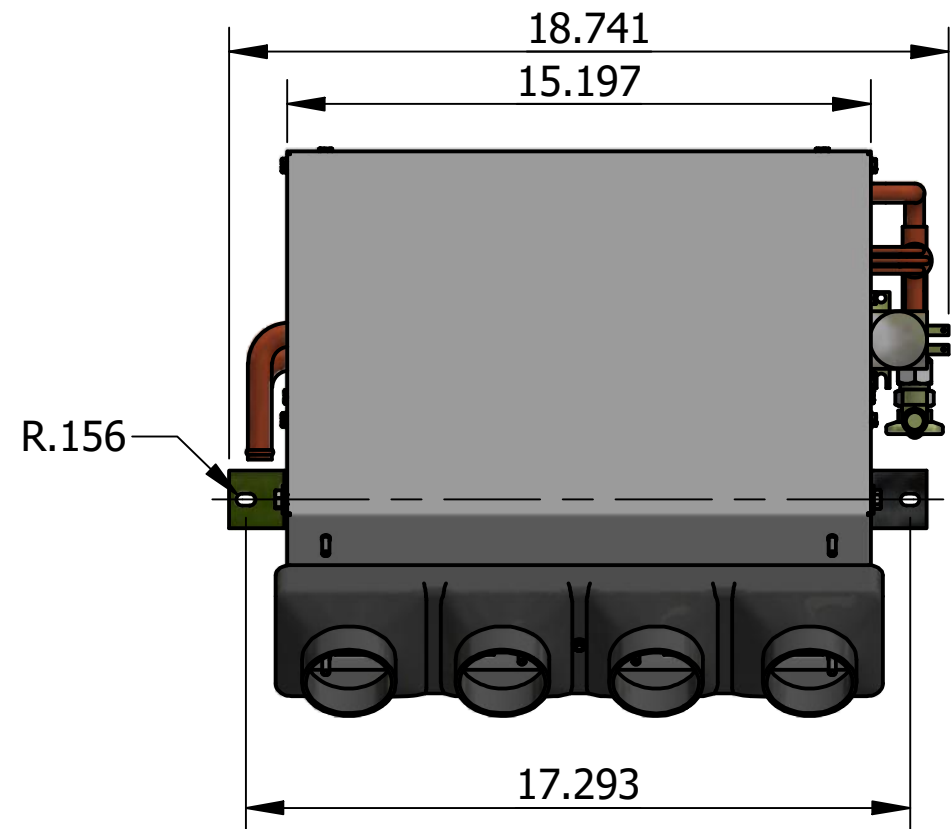


PARTS LIST			
ITEM	QTY	PART NUMBER	DESCRIPTION
1	1	01 000 351	T*STAT, NON-ADJ (31-39)
2	1	01 000 791	HARN, 980 BLOWER
3	1	02 000 040	SCREW, 8 x 1 1/4 HEX WSHR ZINC TEK
4	2	02 000 042	BOLT, 1/4-20 x 5/8 HEX ZINC
5	2	02 000 043	WASHER, 1/4 FLAT ZINC
6	1	02 000 056	GROMMET, 1/2" ID 5/8" OD
7	2	02 000 104	NUT, 1/4-20 CAGE
8	6	02 000 163	SCREW,10-24 x 5/8 TYPE 23 THDCU
9	16	02 000 227	SCREW, 10 x 3/8 HEX WSHR TYPE A
10	2	02 000 418	SCREW, 10x1/2 HEX WSHR TYPE AB
11	1	03 000 129	COIL, HEAT ONLY
12	1	03 000 142	COIL, A/C 980 W/90 VLV
13	1	05 000 458	VALVE, EXPAN FK 1.0 TON O-RING
14	2	06 000 167	MOUNTING BRACKET
15	1	06 000 530	HOUSING, BOTTOM 980/981
16	1	06 000 531	HOUSING, TOP 980
17	1	06 000 532	DEFLECTOR, 980 DRAIN PAN
18	1	07 000 005	OUTLET, 4 - 2 1/2" HOLE
19	1	07 000 482	PAN, 980 DRAIN
20	1	08 000 008	O-RING, #8 13/32
21	1	11 000 214	BLOWER ASSY, W/RESIS, 12v UNIM

PART NO. 66 000 180



MOUNT INFO



PROPRIETARY & CONFIDENTIAL. UNPUBLISHED WORK COPYRIGHT PRO AIR LLC. PRO AIR, LLC CLAIMS PROPRIETARY RIGHTS IN THE MATERIAL DISCLOSED HEREON. NEITHER THIS DRAWING NOR ANY REPRODUCTION OR PORTION THEREOF MAY BE DISTRIBUTED OR USED TO MANUFACTURE ANYTHING SHOWN HEREON WITHOUT PERMISSION IN WRITING FROM PROAIR, LLC.

REV. 1

A		18-232		RELEASED TO PRODUCTION		CEB		11/13/18		 2900 COUNTY RD 6 W ELKHART, IN 46514		TITLE:		PART NO. 66 000 180	
LET.	NO.	REVISION		BY	DATE	SIGNATURES		DATE				FRIGIKING, 980 HEAT COOL		SCALE:	.2 : 1
										APPROVED		USAGE:		SHEET 1 OF 1	
												ALL			