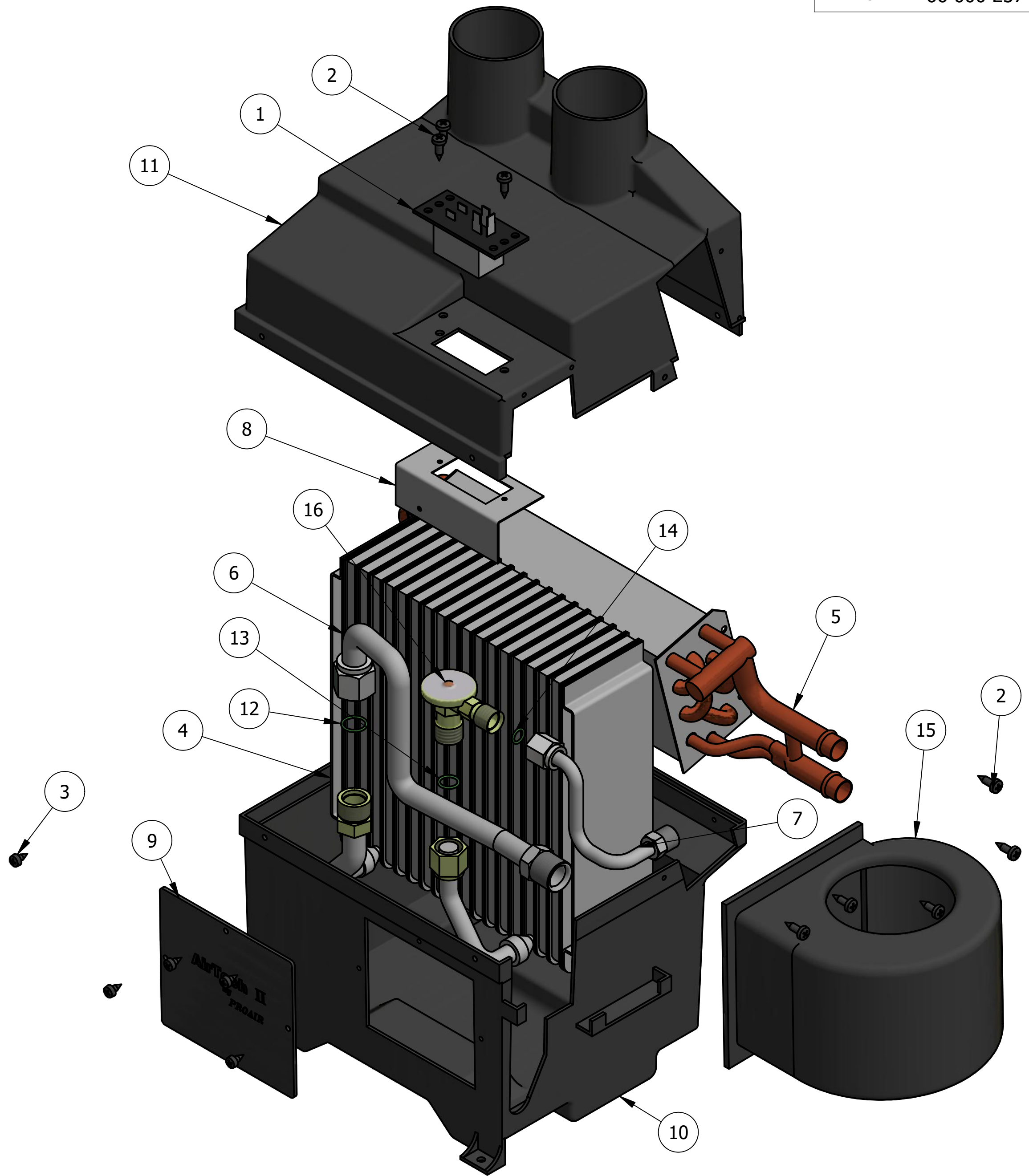
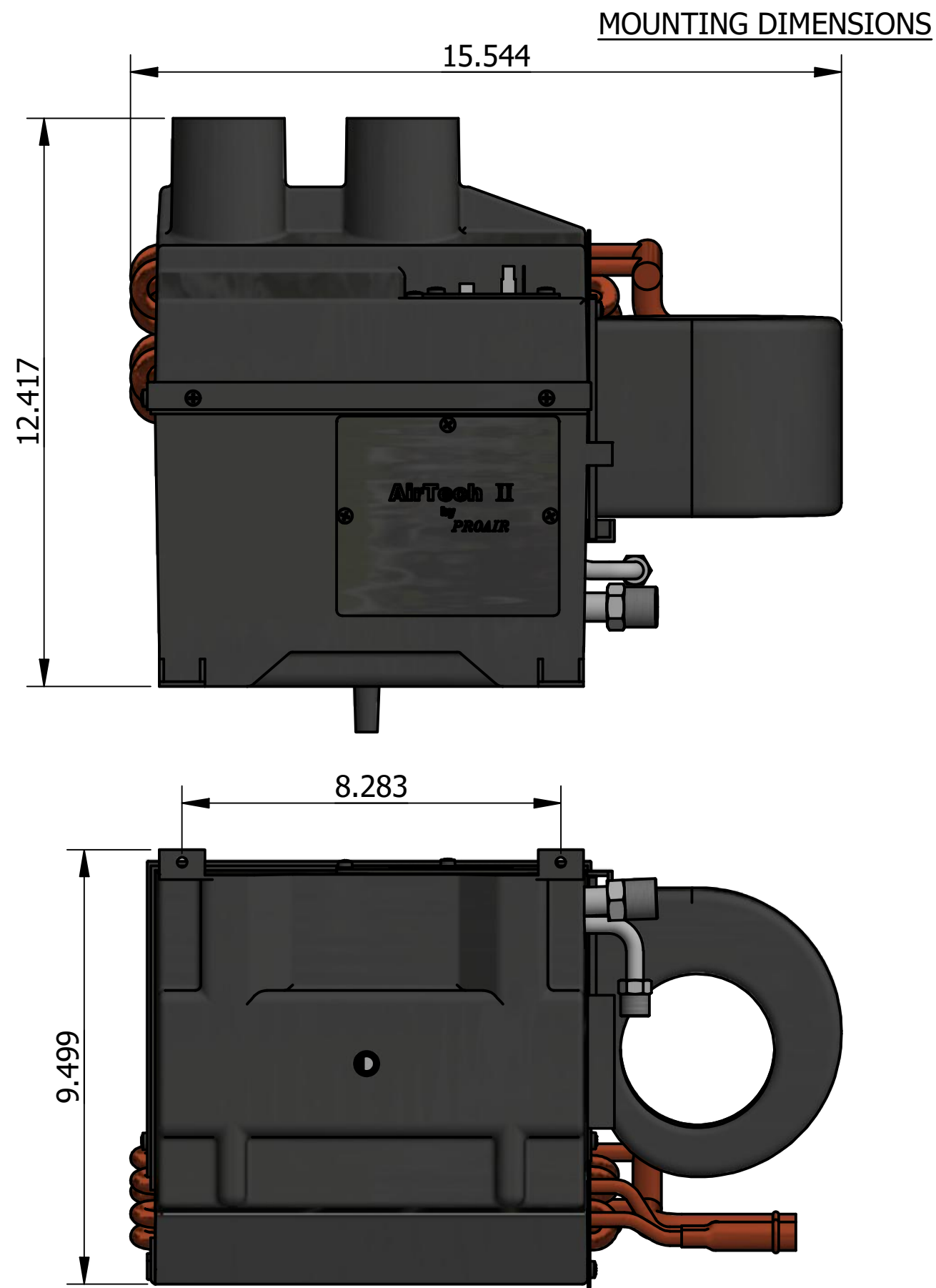


| PARTS LIST | | | |
|------------|-----|-------------|-----------------------------------|
| ITEM | QTY | PART NUMBER | DESCRIPTION |
| 1 | 1 | 01 000 091 | RESISTOR, BLOWER AT, MM |
| 2 | 9 | 02 000 117 | SCREW 10 x 5/8 PH PHIL BLK |
| 3 | 5 | 02 000 233 | SCREW, 8 x 3/8 PHIL PH BLK OX PLA |
| 4 | 1 | 03 000 167 | COIL, A/C PLATE-FIN 9.25 x 9 |
| 5 | 1 | 03 000 055 | COIL, HEAT |
| 6 | 1 | 05 000 749 | TUBE, SUCTION ATII |
| 7 | 1 | 05 000 750 | TUBE, LIQUID ATII |
| 8 | 1 | 06 000 305 | BRKT, RESISTOR ATII |
| 9 | 1 | 07 000 422 | COVER, COIL ACCESS ATII |
| 10 | 1 | 07 000 423 | CASE, BOTTOM ATII |
| 11 | 1 | 07 000 424 | CASE, TOP AIRTECH II |
| 12 | 1 | 08 000 006 | O-RING, #10 1/2 |
| 13 | 1 | 08 000 008 | O-RING, #8 13/32 |
| 14 | 1 | 08 000 009 | O-RING, #6 5/16 |
| 15 | 1 | 11 000 074 | MOTOR, BLOWER ASSY |
| 16 | 1 | 63 000 432 | VALVE, EXPAN P-NUT W/SCREEN FUJ |



PROPRIETARY & CONFIDENTIAL. UNPUBLISHED WORK COPYRIGHT PRO AIR LLC. PRO AIR, LLC CLAIMS PROPRIETARY RIGHTS IN THE MATERIAL DISCLOSED HEREON. NEITHER THIS DRAWING NOR ANY REPRODUCTION OR PORTION THEREOF MAY BE DISTRIBUTED OR USED TO MANUFACTURE ANYTHING SHOWN HEREON WITHOUT PERMISSION IN WRITING FROM PROAIR, LLC.

REV. A

| | | | | | | | | |
|------|--------|------------------------|-----|---------|---|---|-------------------|---------------------|
| A | 16-018 | RELEASED TO PRODUCTION | CEB | 1/19/16 |  |  | TITLE: AIRTECH II | PART NO. 66 000 257 |
| | | | | | | | | SCALE: .45 : 1 |
| LET. | NO. | REVISION | BY | DATE | APPROVED | 2900 COUNTY RD 6 W ELKHART, IN 46514 | USAGE: ALL | SHEET 1 OF 1 |