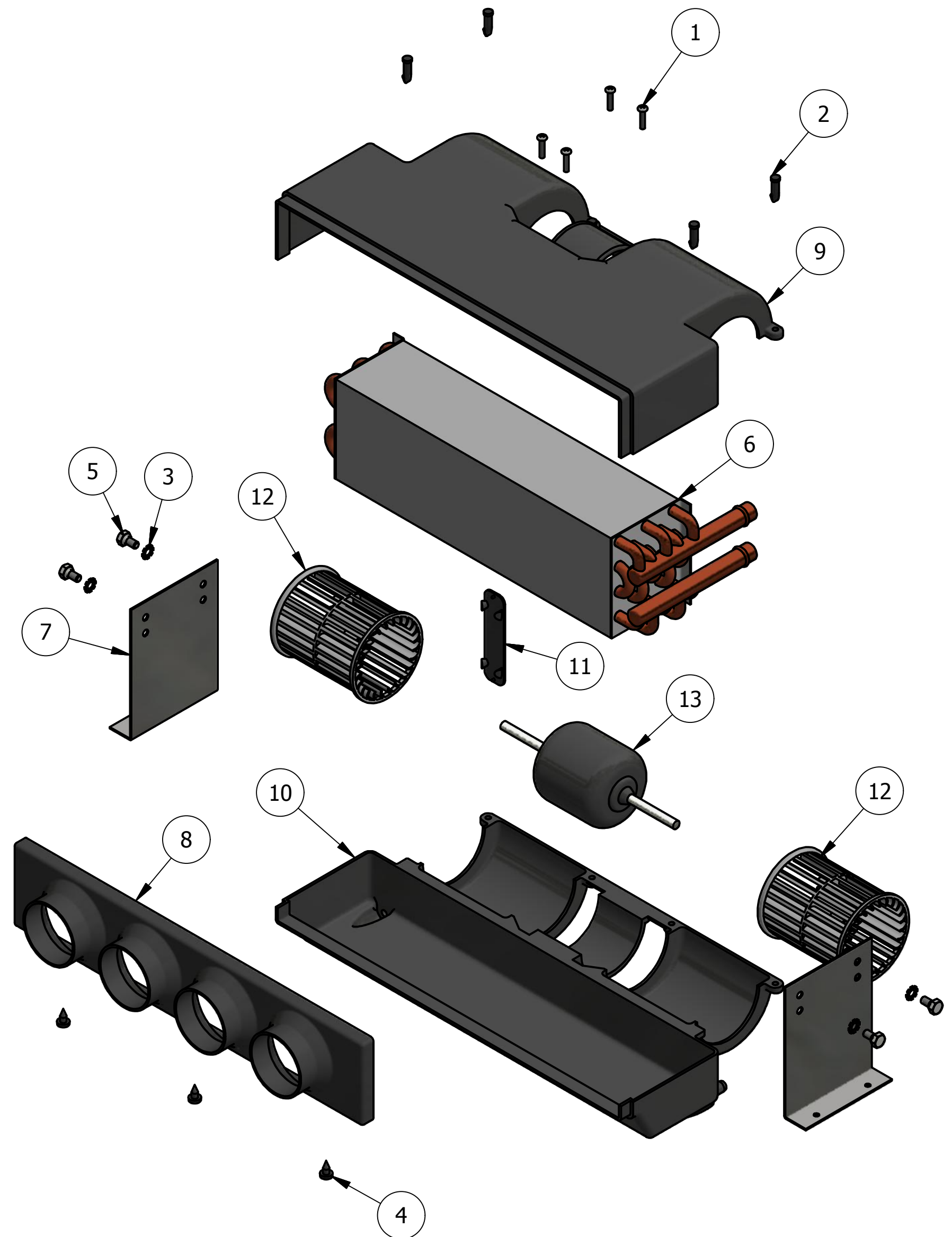
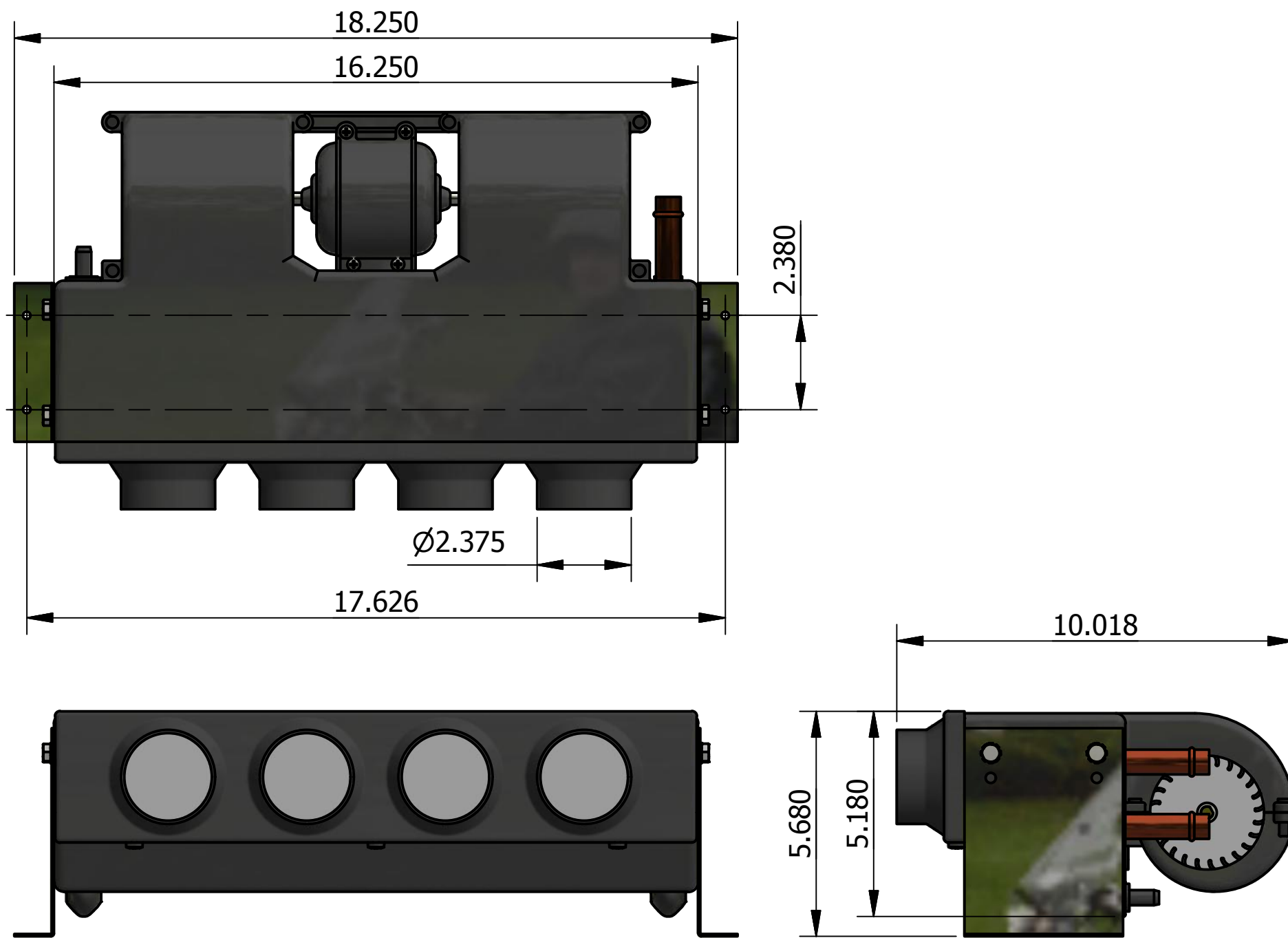


PARTS LIST			
ITEM	QTY	PART NUMBER	DESCRIPTION
1	4	02 000 032	SCREW, 8x3/4 PHIL PAN H/LOW ZK
2	6	02 000 059	PIN, SNAP
3	4	02 000 077	WASHER, 1/4 EXT TOOTH
4	3	02 000 107	SCREW, 10 x 1/2 PH PHIL BLK
5	4	02 000 133	BOLT, 1/4-20 x 1/2 ZINC
6	1	03 000 015	COIL, HEAT ONLY 901
7	2	06 000 076	BRKT, 6 HOLE
8	1	07 000 026	NOSE, 4-HOLE
9	1	07 000 132	CASE TOP P/P
10	1	07 000 133	CASE, BOTTOM P/P
11	1	07 000 318	COVER, SLOT 901 CASE
12	2	11 000 004	WHEEL, BLOWER W/CLIP
13	1	11 000 005	MOTOR, BLOWER DBL 12V 3 SPEED

MOUNT INFO



PROPRIETARY & CONFIDENTIAL. UNPUBLISHED WORK COPYRIGHT PRO AIR LLC. PRO AIR, LLC CLAIMS PROPRIETARY RIGHTS IN THE MATERIAL DISCLOSED HEREON. NEITHER THIS DRAWING NOR ANY REPRODUCTION OR PORTION THEREOF MAY BE DISTRIBUTED OR USED TO MANUFACTURE ANYTHING SHOWN HEREON WITHOUT PERMISSION IN WRITING FROM PROAIR, LLC.

REV. A

A		18-001		RELEASED TO PRODUCTION		CEB		2/6/18		 2900 COUNTY RD 6 W ELKHART, IN 46514		TITLE:		PART NO. 66 000 018	
LET.		NO.		REVISION		BY		DATE				APPROVED		HEATER, 901 HORZ MOUNT	
										USAGE:		ALL		SHEET 1 OF 1	