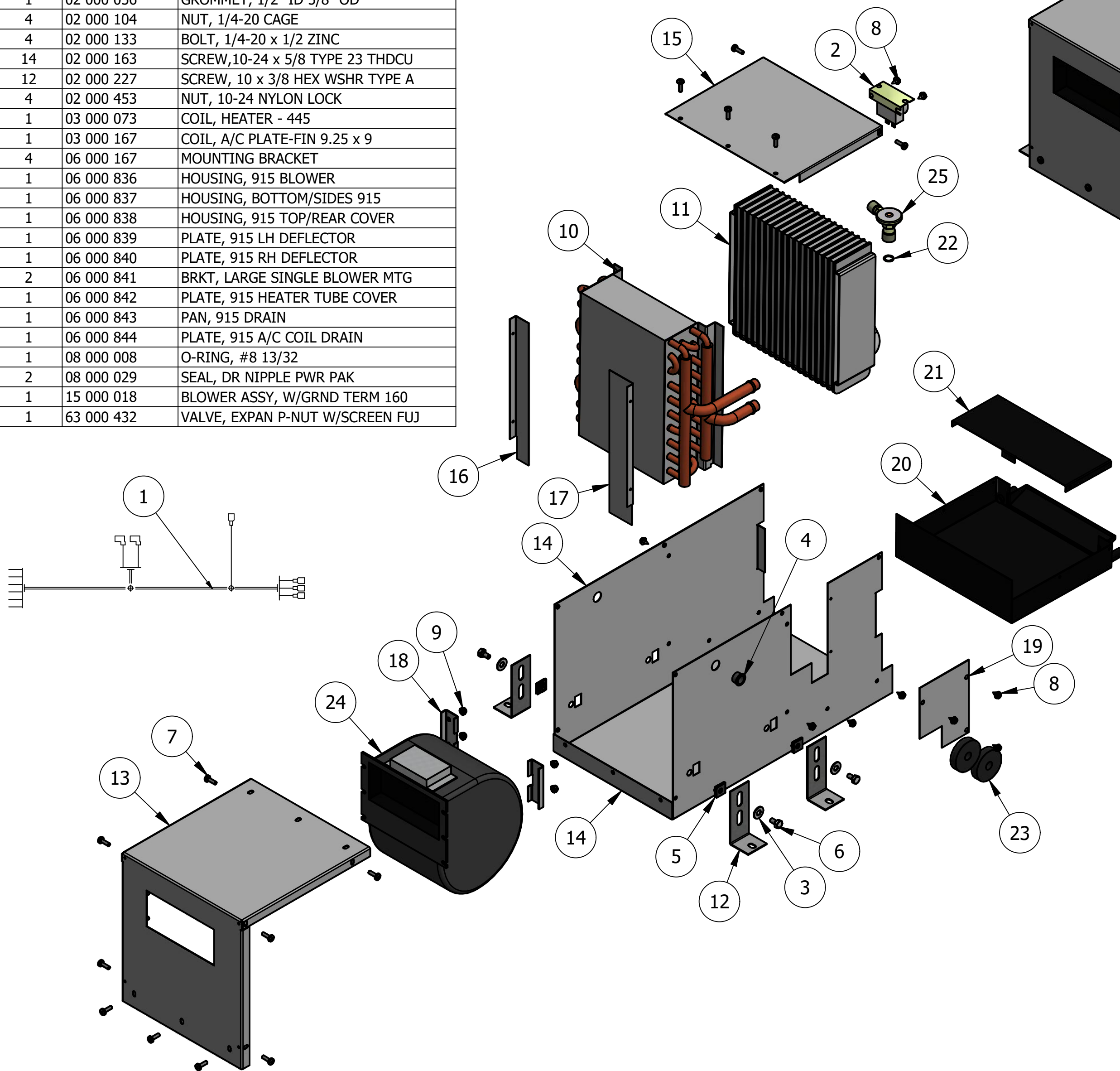
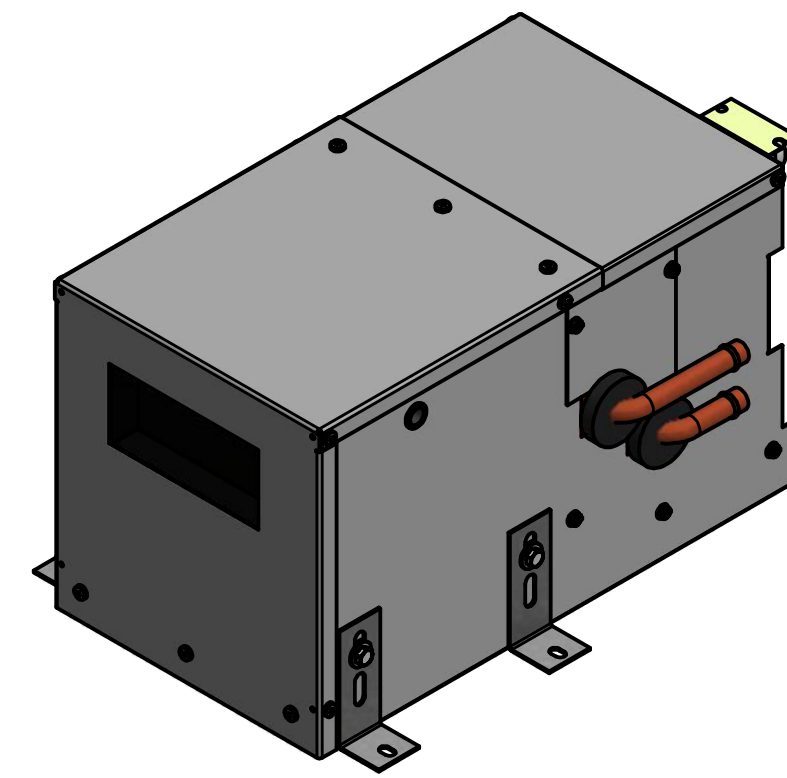
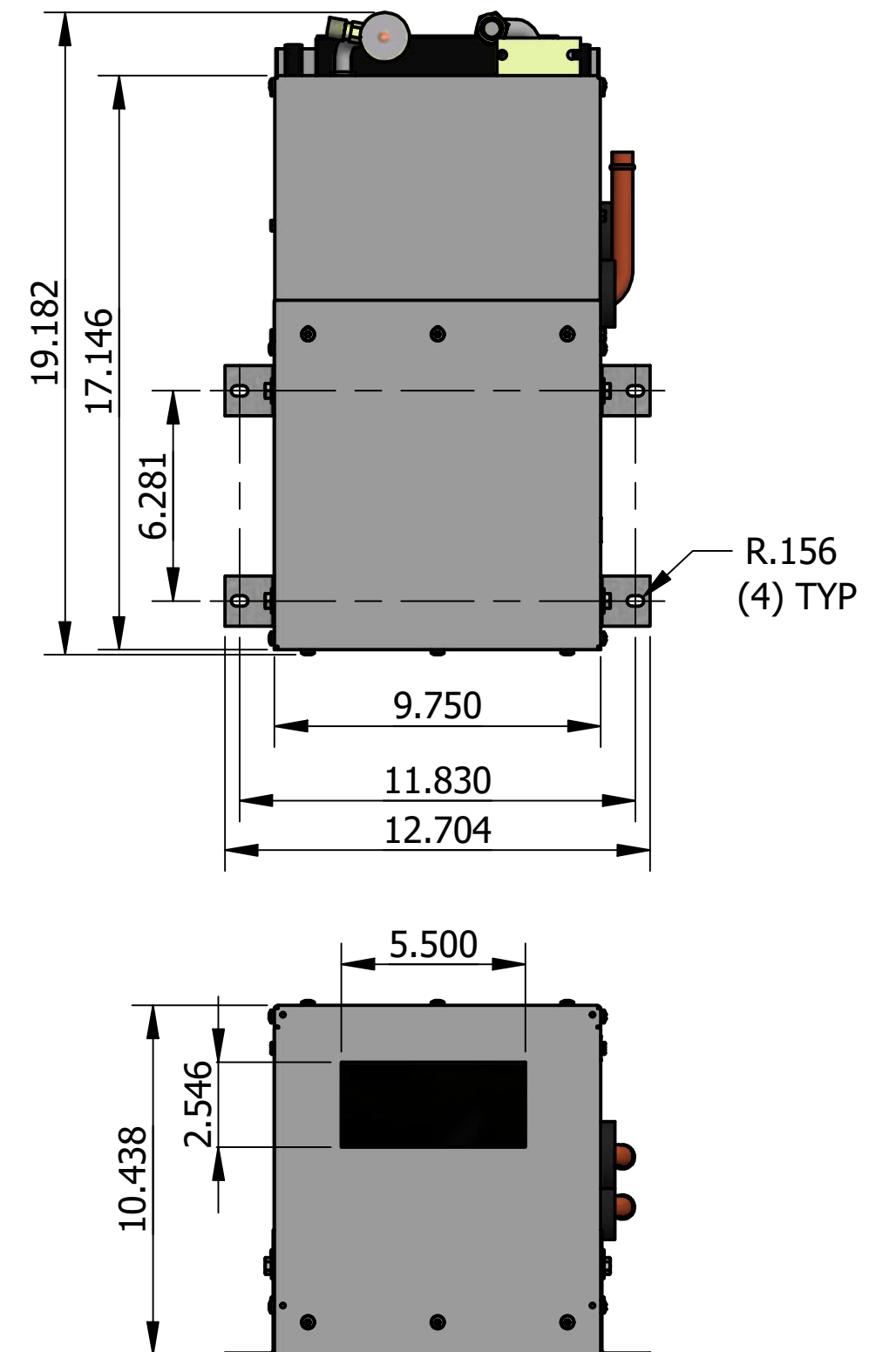


PARTS LIST			
ITEM	QTY	PART NUMBER	DESCRIPTION
1	1	01 000 073	HARN, BLOWER MOTOR
2	1	01 000 351	T'STAT, NON-ADJ (31-39)
3	4	02 000 043	WASHER, 1/4 FLAT ZINC
4	1	02 000 056	GROMMET, 1/2" ID 5/8" OD
5	4	02 000 104	NUT, 1/4-20 CAGE
6	4	02 000 133	BOLT, 1/4-20 x 1/2 ZINC
7	14	02 000 163	SCREW, 10-24 x 5/8 TYPE 23 THDCU
8	12	02 000 227	SCREW, 10 x 3/8 HEX WSHR TYPE A
9	4	02 000 453	NUT, 10-24 NYLON LOCK
10	1	03 000 073	COIL, HEATER - 445
11	1	03 000 167	COIL, A/C PLATE-FIN 9.25 x 9
12	4	06 000 167	MOUNTING BRACKET
13	1	06 000 836	HOUSING, 915 BLOWER
14	1	06 000 837	HOUSING, BOTTOM/SIDES 915
15	1	06 000 838	HOUSING, 915 TOP/REAR COVER
16	1	06 000 839	PLATE, 915 LH DEFLECTOR
17	1	06 000 840	PLATE, 915 RH DEFLECTOR
18	2	06 000 841	BRKT, LARGE SINGLE BLOWER MTG
19	1	06 000 842	PLATE, 915 HEATER TUBE COVER
20	1	06 000 843	PAN, 915 DRAIN
21	1	06 000 844	PLATE, 915 A/C COIL DRAIN
22	1	08 000 008	O-RING, #8 13/32
23	2	08 000 029	SEAL, DR NIPPLE PWR PAK
24	1	15 000 018	BLOWER ASSY, W/GRND TERM 160
25	1	63 000 432	VALVE, EXPAN P-NUT W/SCREEN FUJ



MOUNT INFO



PROPRIETARY & CONFIDENTIAL. UNPUBLISHED WORK COPYRIGHT PRO AIR LLC. PRO AIR, LLC CLAIMS PROPRIETARY RIGHTS IN THE MATERIAL DISCLOSED HEREON. NEITHER THIS DRAWING NOR ANY REPRODUCTION OR PORTION THEREOF MAY BE DISTRIBUTED OR USED TO MANUFACTURE ANYTHING SHOWN HEREON WITHOUT PERMISSION IN WRITING FROM PROAIR, LLC.

REV. A

A	18-232	RELEASED TO PRODUCTION	CEB	11/12/18		TITLE: FRIGIKING, 915 H/C HORIZONTAL BLOW	PART NO. 66 000 275	
							SCALE: .2 : 1	SIZE A
LET.	NO.	REVISION	BY	DATE	APPROVED	USAGE:	ALL	SHEET 1 OF 1