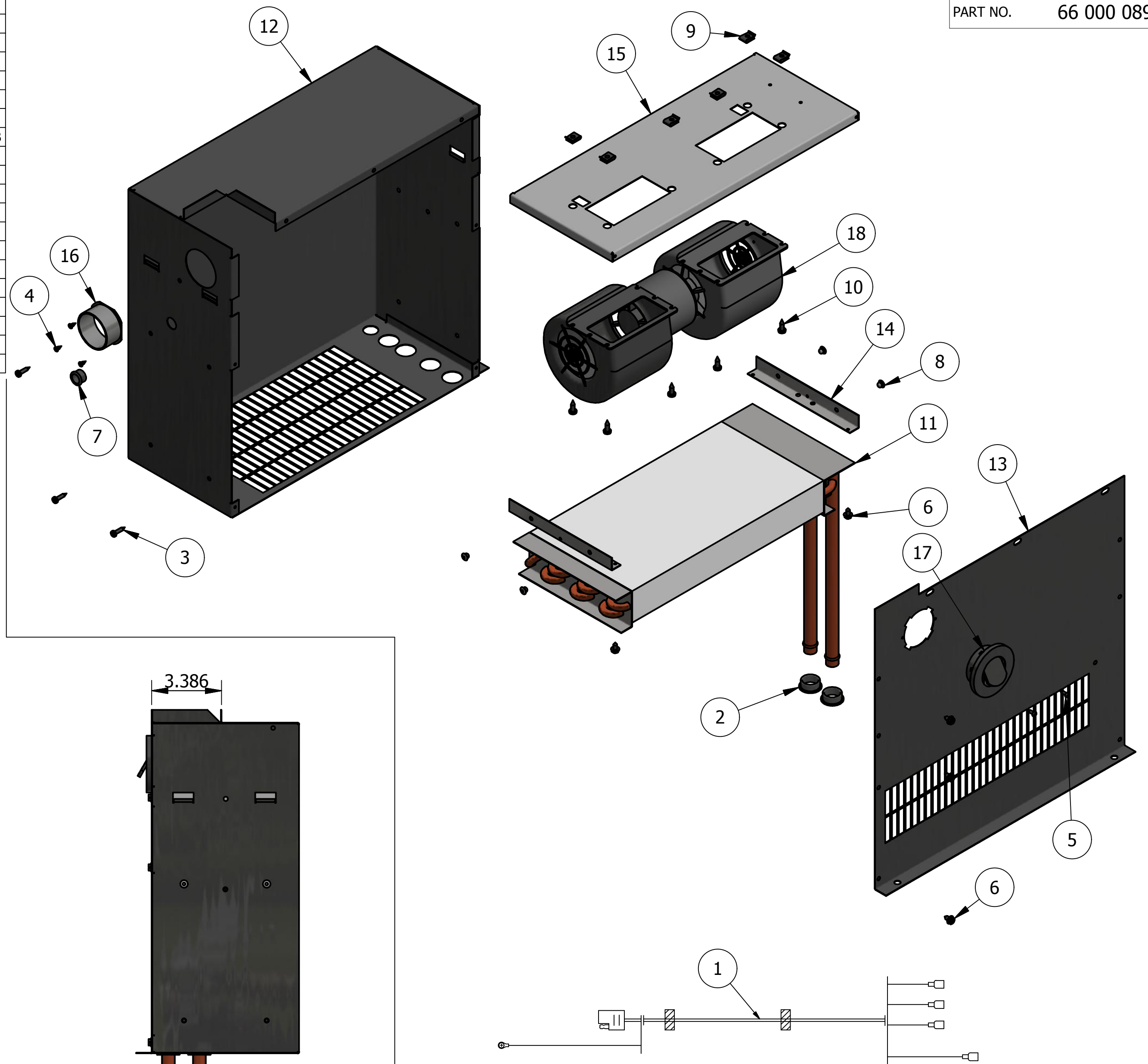
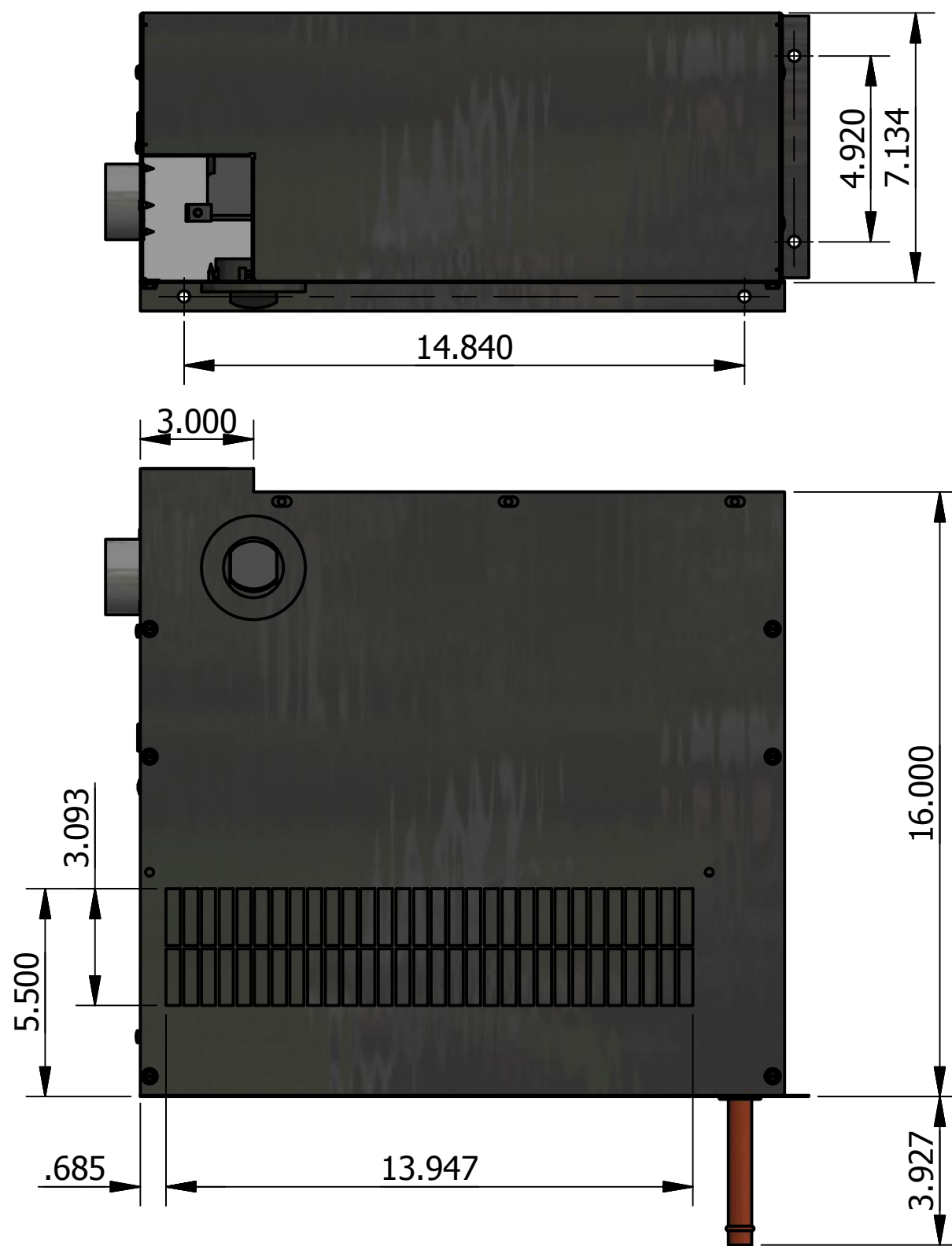


PARTS LIST			
ITEM	QTY	PART NUMBER	DESCRIPTION
1	1	01 000 154	
2	2	02 000 007	GROMMET, 1" SNAP-IN ELEC
3	3	02 000 029	SCREW, 8 x 3/4 PH PHIL BLK OX
4	3	02 000 030	SCREW, 6 x 3/8 FH PHIL ZINC
5	2	02 000 037	SCREW, 6 x 1/2 PH PHIL BLK
6	8	02 000 051	SCREW, 10x3/8 HEX WSHR TYPE-AB
7	1	02 000 056	GROMMET, 1/2" ID 5/8" OD
8	4	02 000 096	RIVET, 3/16 x 9/32
9	6	02 000 106	SPEED CLIP, #10
10	6	02 000 117	SCREW 10 x 5/8 PH PHIL BLK
11	1	03 000 090	COIL, HEAT 42M BTU
12	1	06 000 346	CASE, BACK
13	1	06 000 347	CASE, FRONT
14	2	06 000 348	BRKT, COIL SUPPORT
15	1	06 000 349	MOUNT, MTR
16	1	11 000 028	ADAPT, 2" HOSE SNAP-IN
17	1	11 000 047	LOUVER, ROUND EURO 2"
18	1	11 000 141	BLWR ASS'Y, SPAL 24v DBL SMALL

PART NO. 66 000 089

**MOUNT INFO**



PROPRIETARY & CONFIDENTIAL. UNPUBLISHED WORK COPYRIGHT PRO AIR LLC. PRO AIR, LLC CLAIMS PROPRIETARY RIGHTS IN THE MATERIAL DISCLOSED HEREON. NEITHER THIS DRAWING NOR ANY REPRODUCTION OR PORTION THEREOF MAY BE DISTRIBUTED OR USED TO MANUFACTURE ANYTHING SHOWN HEREON WITHOUT PERMISSION IN WRITING FROM PROAIR, LLC.

REV. A

A		18-001		RELEASED TO PRODUCTION		CEB		2/9/18		 <b>2900 COUNTY RD 6 W ELKHART, IN 46514</b>		TITLE:		PART NO. 66 000 089	
LET.		NO.		REVISION		BY		DATE				APPROVED		HEATER, FMC	
										USAGE:		989		SHEET 1 OF 1	